

SENCO[®]

SCN40DW

Coil Drywall Nailer



Parts Reference Guide

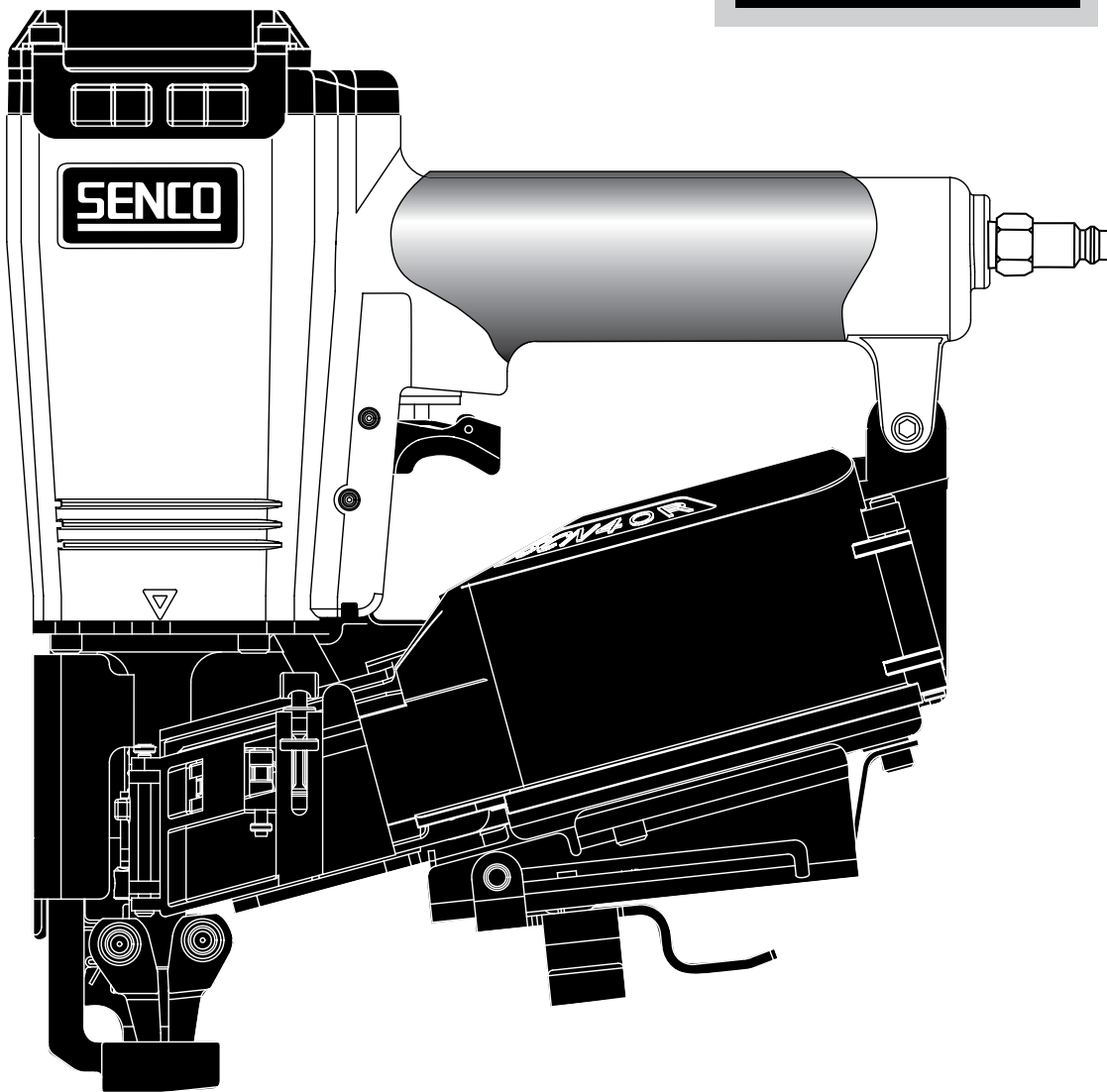


Repair Kits

YK0218

YK0219

YK0221



NFC156 Revised January 24, 2011 (Replaces 4/30/01) © 2011 by SENCO Brands, Inc. Cincinnati, Ohio 45245—U.S.A.

Questions? Comments? call SENCO's toll-free Action-line:
1-800-543-4596 (North & South America only)
or e-mail: toolprof@senco.com

Senco Brands Inc.
4270 Ivy Pointe Blvd.
Cincinnati, Ohio 45245
Visit Our Website: www.senco.com
EU Website: www.verpa-senco.com

SCN40DW

KB0043

BB0223

BC0138

BF0013

BA0120

BF0163

LB5046

LB0030

*EB0262

*BC0260

LB0179

LB0079

BB0150

FC0316

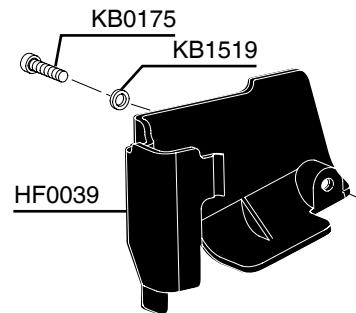
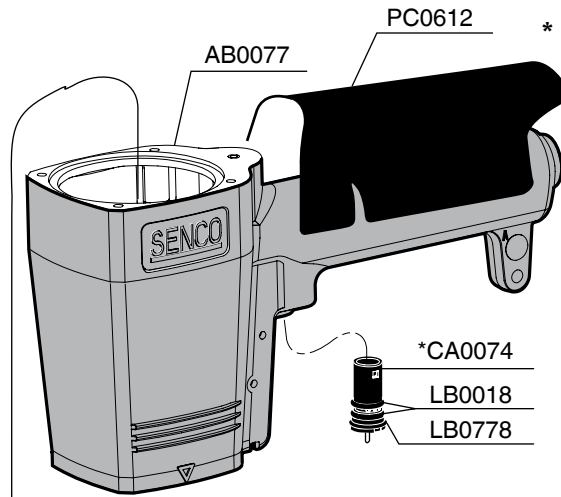
LB0013

Model

650003N Dual Action

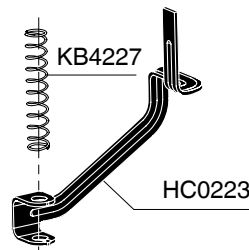
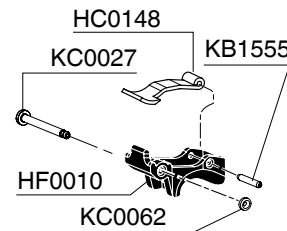
650004N Restrictive

- * Does Not Include O-rings
- * No incluye sellos de gomas
- * Ohne Dichtringe
- * Joints exclus

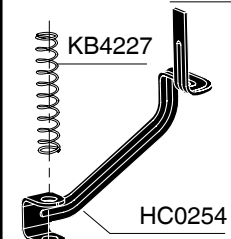
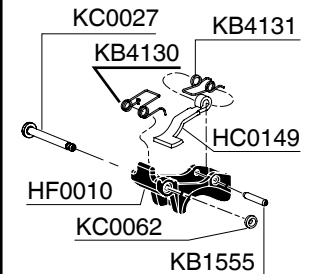


Available Triggers

Dual-Action

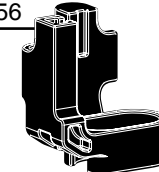


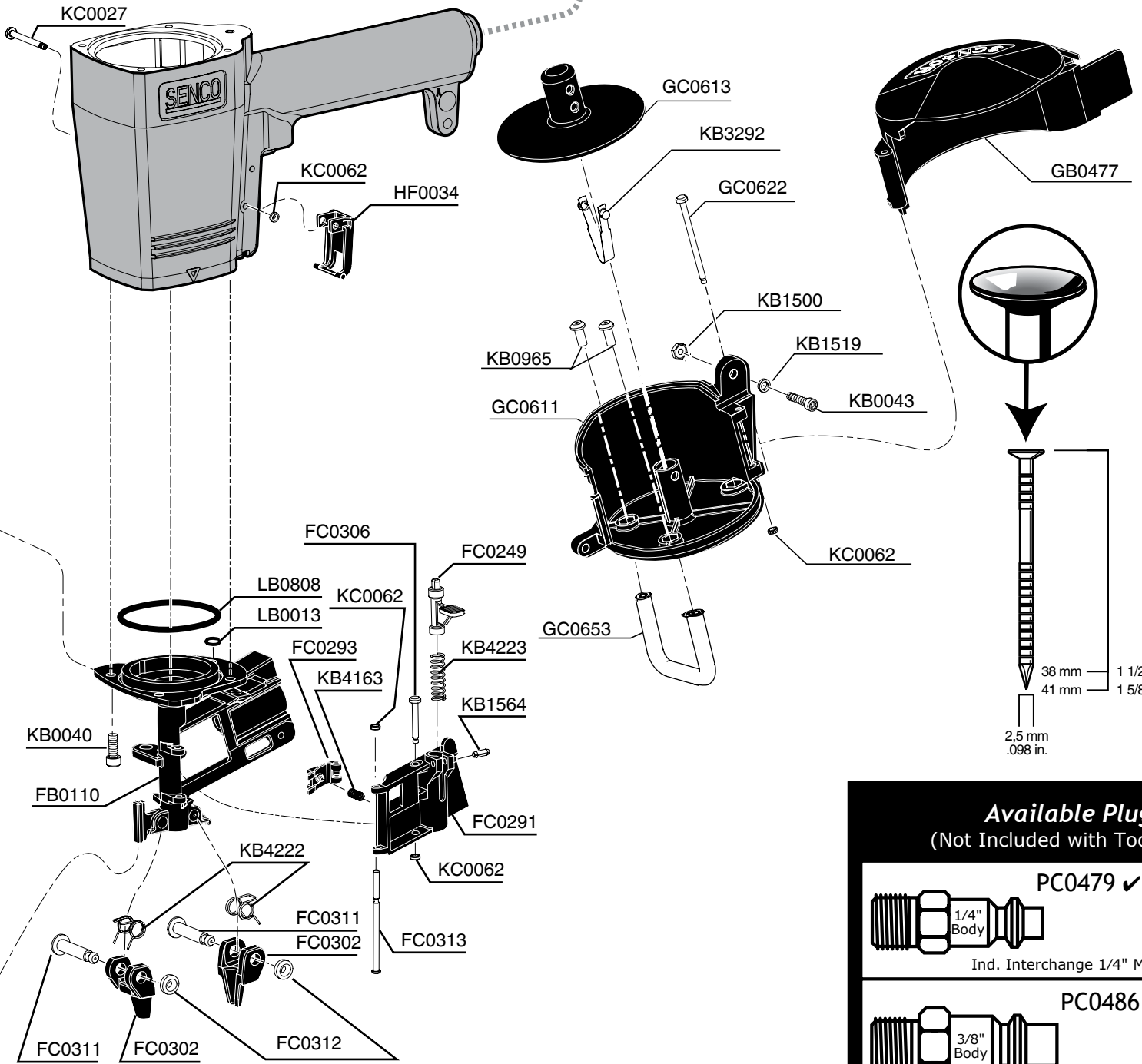
Restrictive HA0102



HC0234

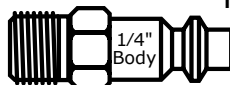
HC0256





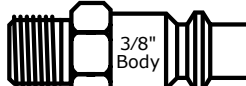
Available Plugs
(Not Included with Tool)

PC0479 ✓




1/4" Body
Ind. Interchange 1/4" MPT

PC0486



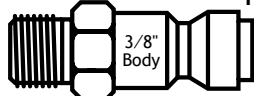
3/8" Body
Ind. Interchange 1/4" MPT

PC0468 ✓



1/4" Body
Tru-Flate 1/4" MPT

PC0474



3/8" Body
Tru-Flate 1/4" MPT

✓ **Recommended Plugs**
Plugs shown smaller than actual size

PART NO.	DESCRIPTION	DESCRIPCIÓN	BESCHREIBUNG	DÉSIGNATION
AB0077	MAIN BODY	CUERPO PRINCIPAL	GEHÄUSE	CORPS
BA0120	VALVE ASSEMBLY	ASAMBLE DE VÁLVULA	VENTIL-ZUSAMMENBAU	VALVE D'ASSEMBLÉE
BB0223	CAP	TAPA	KAPPE	BOUCHON
BB0150	STOP	TOPE	PUFFER	ARRÊT
BC0138	MUFFLER	SILENCIADOR	DÄMPFER	SILENCIEUX
BC0260	CYLINDER	CILINDRO	ZYLINDER	CYLINDRE
BF0013	SEAL	SELLO	DICHTUNG	JOINT
BF0163	RETAINER	JUNTA TÓRICA	SICHERUNGSRING	RETENUE
CA0074	VALVE ASSEMBLY	ASAMBLE DE VÁLVULA	VENTIL-ZUSAMMENBAU	VALVE D'ASSEMBLÉE
EB0262	PISTON ASSEMBLY	ASAMBLE DE PISTON	KOLBEN-ZUSAMMENBAU	ENSEMBLE PISTON-COUTEAU
FB0110	GUIDE BODY	PLACA DE NARIZ	NAGELFÜHRUNG	FRONT
FC0249	LATCH	UNETA	VERSCHLUSS	DOIGT DE RETENUE
FC0286	FEED PAWL	ALIMENTADOR	VORSCHIEBER	POUSSOIR
FC0287	CAP	TAPA	KAPPE	BOUCHON
FC0291	DOOR	PUERTA	ABDECKSCHIEBER	PORTE
FC0293	RETAINER	JUNTA TÓRICA	SICHERUNGSRING	RETENUE
FC0302	GUIDE	GUÍA	FÜHRUNG	GUIDE
FC0306	PIN	PASADOR	STIFT	GOUPILLE
FC0311	PIN	PASADOR	STIFT	GOUPILLE
FC0312	RETAINER	JUNTA TÓRICA	SICHERUNGSRING	RETENUE
FC0313	PIN	PASADOR	STIFT	GOUPILLE
FC0316	SEAL	SELLO	DICHTUNG	JOINT
FC0344	PISTON	PISTON	KOLBEN	PISTON
FC0345	STOP	TOPE	PUFFER	ARRÊT
GB0477	COVER	CUBIERTA	ABDECKUNG	COUVERCLE
GC0611	MAGAZINE	CARGADOR	MAGAZIN	MAGASIN
GC0613	PLATE	PLACA	PLATTE	PLAQUE
GC0622	PIN	PASADOR	STIFT	GOUPILLE
GC0653	GUIDE	GUÍA	FÜHRUNG	GUIDE
HA0102	TRIGGER	GATILLO	AUSLÖSER	GACHETTE
HC0148	TRIGGER	GATILLO	AUSLÖSER	GACHETTE
HC0149	TRIGGER	GATILLO	AUSLÖSER	GACHETTE
HC0223	SAFETY ELEMENT	SEGURO	SICHERHEITSVORRICHTUNG	PALPEUR DE SÉCURITÉ
HC0234	WHEEL	MANIVELA	RÄNDELSCHRAUBE	MOLETTE
HC0254	SAFETY ELEMENT	SEGURO	SICHERHEITSVORRICHTUNG	PALPEUR DE SÉCURITÉ
HC0256	SAFETY ELEMENT	SEGURO	SICHERHEITSVORRICHTUNG	PALPEUR DE SÉCURITÉ
HF0010	TRIGGER	GATILLO	AUSLÖSER	GACHETTE
HF0034	COVER	CUBIERTA	ABDECKUNG	COUVERCLE
HF0039	COVER	CUBIERTA	ABDECKUNG	COUVERCLE
KB0040	SCREW	TORNILLO	SCHRAUBE	VIS
KB0043	SCREW	TORNILLO	SCHRAUBE	VIS
KB0175	SCREW	TORNILLO	SCHRAUBE	VIS
KB0965	SCREW	TORNILLO	SCHRAUBE	VIS
KB1500	WASHER	ARANDELA	SCHEIBE	RONDELLE
KB1519	WASHER	ARANDELA	SCHEIBE	RONDELLE
KB1555	PIN	PASADOR	STIFT	GOUPILLE
KB1564	PIN	PASADOR	STIFT	GOUPILLE
KB3134	RING	ANILLO	REIFEN	ANNEAU
KB3292	BUTTON	BOTÓN	KNOPF	BOUTON
KB4130	SPRING	RESORTE	FEDER	RESSORT
KB4131	SPRING	RESORTE	FEDER	RESSORT
KB4163	SPRING	RESORTE	FEDER	RESSORT
KB4222	SPRING	RESORTE	FEDER	RESSORT
KB4223	SPRING	RESORTE	FEDER	RESSORT
KB4224	SPRING	RESORTE	FEDER	RESSORT
KB4227	SPRING	RESORTE	FEDER	RESSORT
KB4257	SPRING	RESORTE	FEDER	RESSORT
KC0027	PIN	PASADOR	STIFT	GOUPILLE
KC0062	RETAINER	JUNTA TÓRICA	SICHERUNGSRING	RETENUE
LB0013	SEAL	SELLO	DICHTUNG	JOINT
LB0018	SEAL	SELLO	DICHTUNG	JOINT
LB0030	SEAL	SELLO	DICHTUNG	JOINT
LB0079	SEAL	SELLO	DICHTUNG	JOINT
LB0179	SEAL	SELLO	DICHTUNG	JOINT
LB0778	SEAL	SELLO	DICHTUNG	JOINT
LB0808	SEAL	SELLO	DICHTUNG	JOINT
LB0828	SEAL	SELLO	DICHTUNG	JOINT
LB0845	SEAL	SELLO	DICHTUNG	JOINT
LB5046	SEAL	SELLO	DICHTUNG	JOINT
PC0612	GRIP	AGARRADERO	GRIFF	GAINÉ DE CUIR
PC0649	FILTER	FILTRO	FILTER	FILTRE