

SKSXP

Medium Wire Stapler

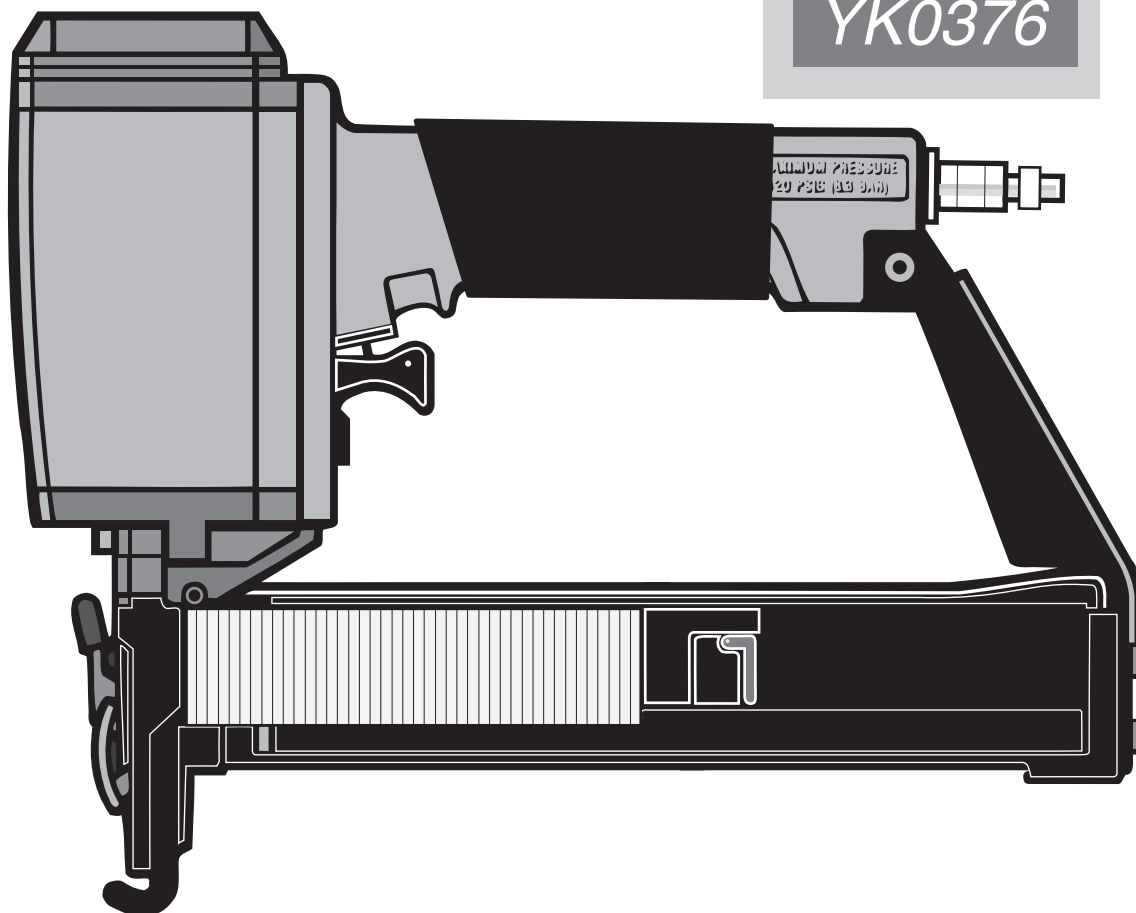


Parts Reference Guide



Repair Kit

YK0376



*** Schematic drawings inside**

*Senco Products Inc.
8485 Broadwell Road
Cincinnati, Ohio 45244*

*Questions? Comments? call SENCO's toll-free Action-line:
1-800-543-4596 (North and South America Only)
or e-mail: toolprof@senco.com*

Visit Our Website: www.senco.com

BB0223 (US)
BB0154 (EU)

KB0032

BC0138

BA0096

BF0013

LB5046

LB0030

KA0001

BF0140

LB0777

LB0077

BA0118*

A

BB0101

D

LB0012

AB0073

LB0778

CA0074*

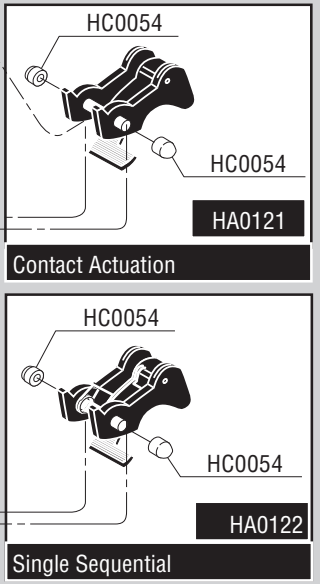
LB0018

A

TOOL#	A	B	C	D
300120N	L12-L17	EC0178	EC0168	BF0070
302020N	L12-L17	EC0178	EC0168	BF0070
300152N	M12-M17	EC0135	EC0168	BF0069
302052N	M12-M17	EC0135	EC0168	BF0069
300184N	N12-N17	EC0136	EC0118	BF0068
302084N	N12-N17	EC0136	EC0118	BF0068
302092N	N12-N17	EC0136	EC0118	BF0068

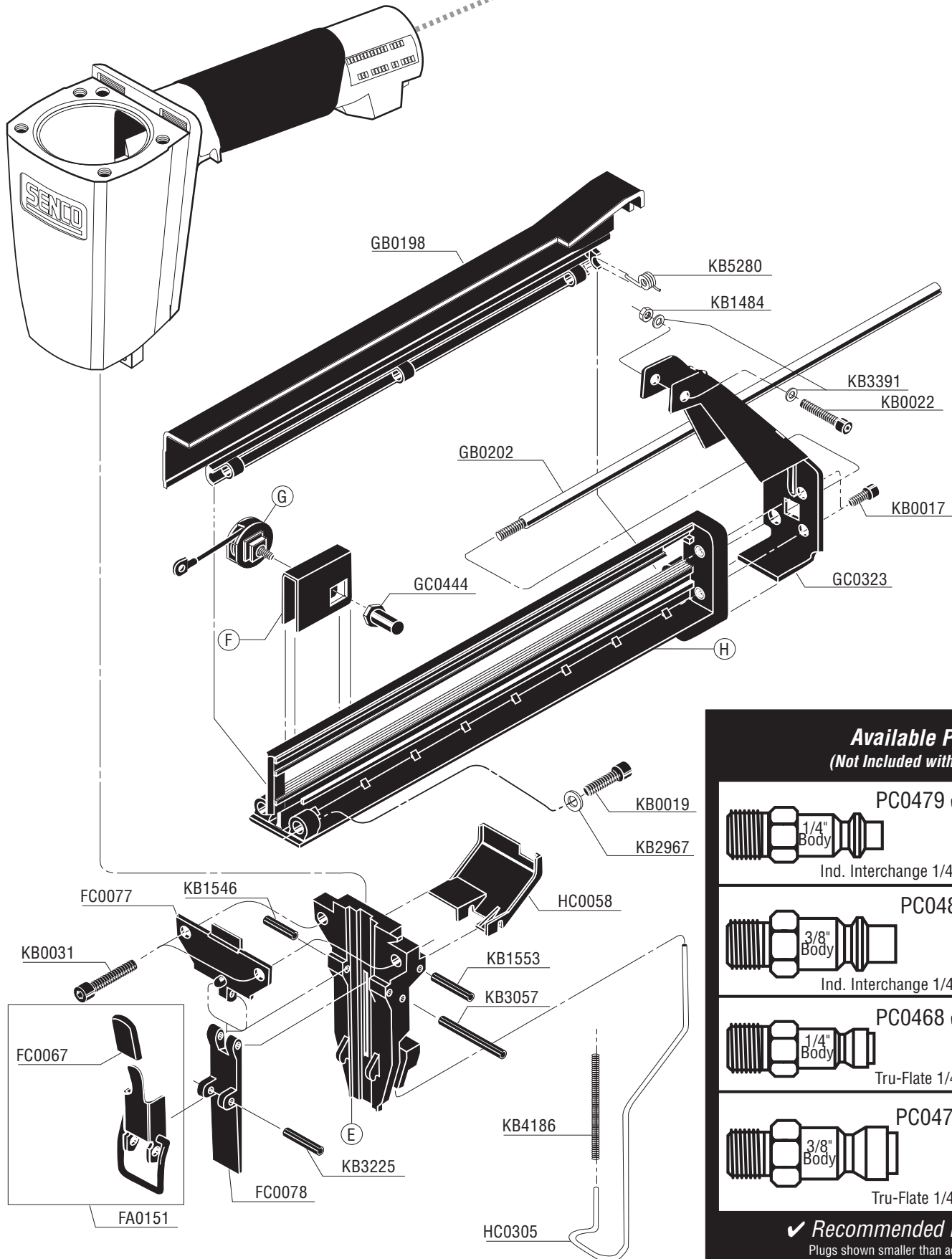
- * Does Not Include O-rings
- * No incluye sellos de gomas
- * Ohne Dichtringe
- * Joints exclus

Available Triggers







HC0052

TOOL#	A	E	F	G	H
300120N	L12-L17	FC0071	GC0330	GB0304	GB0199
302020N	L12-L17	FC0071	GC0330	GB0304	GB0199
300152N	M12-M17	FC0073	GC0331	GB0305	GB0201
302052N	M12-M17	FC0073	GC0331	GB0305	GB0201
300184N	N12-N17	FC0075	GC0331	GB0305	GB0201
302084N	N12-N17	FC0075	GC0331	GB0305	GB0201
302092N	N12-N17	FC0075	GC0331	GB0305	GB0201



NFG030 Revised January 8, 2007 (Replaces 7/28/06) ©1985, 2007 by SENC0 Products, Inc. Cincinnati, Ohio 45244 - U.S.A.

Available Plugs
(Not Included with Tool)

	PC0479 ✓
1/4" Body	
	Ind. Interchange 1/4" NPT
	PC0486
3/8" Body	
	Ind. Interchange 1/4" NPT
	PC0468 ✓
1/4" Body	
	Tru-Flate 1/4" NPT
	PC0475
3/8" Body	
	Tru-Flate 1/4" NPT

✓ **Recommended Plugs**
Plugs shown smaller than actual size

PART NO.	DESCRIPTION	DESCRIPCIÓN	BESCHREIBUNG	DÉSIGNATION
AB0073	MAIN BODY ASSEMBLY	ASAMBLE DE CARCASA	GEHÄUSE-ZUSAMMENBAU	CORPS D'ASSEMBLÉE
BA0096	VALVE ASSEMBLY	ASAMBLE DE VALVULA	VENTIL-ZUSAMMENBAU	VALVE D'ASSEMBLÉE
BA0118	CYLINDER	CILINDRO	ZYLINDER	CYLINDRE
BB0101	STOP	TOPE	PUFFER	ARRÊT
BB0154	DEFLECTOR (EU)	DEFLECTOR	ABWEISER	DÉFLECTEUR
BB0223	DEFLECTOR (US)	DEFLECTOR	ABWEISER	DÉFLECTEUR
BC0138	MUFFLER	SILENCIADOR	DÄMPFER	SILENCIEUX
BF0013	SEAL	SELLO	DICHTUNG	JOINT
BF0068	SEAL (N)	SELLO (N)	DICHTUNG (N)	JOINT (N)
BF0069	SEAL (M)	SELLO (M)	DICHTUNG (M)	JOINT (M)
BF0070	SEAL (L)	SELLO (L)	DICHTUNG (L)	JOINT (L)
BF0140	RETAINER	JUNTA TÓRICA	SICHERUNGSRING	RETENUE
CA0074	VALVE ASSEMBLY	ASAMBLE DE VALVULA	VENTIL-ZUSAMMENBAU	VALVE D'ASSEMBLÉE
EC0118	PISTON (N)	PISTON (N)	KOLBEN (N)	PISTON (N)
EC0135	DRIVER, 3/16" CSK (M)	PERCUSOR, 4.8mm Hundimiento (M)	TREIBER, 4.8mm Überlänge (M)	COUPEAU, 4.8mm Noyer (M)
EC0136	DRIVER, 3/16" CSK (N)	PERCUSOR, 4.8mm Hundimiento (N)	TREIBER, 4.8mm Überlänge (N)	COUPEAU, 4.8mm Noyer (N)
EC0168	PISTON (L&M)	PISTON (L&M)	KOLBEN (L&M)	PISTON (L&M)
EC0178	DRIVER, 3/16" CSK (L)	PERCUSOR, 4.8mm Hundimiento (L)	TREIBER, 4.8mm Überlänge (L)	COUPEAU, 4.8mm Noyer (L)
FA0151	LATCH ASSY	ASAMBLE DE UÑETA	VERSCHLUSS-ZUSAMMENBAU	DOIGT DE RETENUE
FC0067	FINGER GRIP	AGARRADERO	FINGERGRIFF	GAINÉ EN CAOUTCHOUC
FC0071	GUIDE BODY (L12-L17)	PLACA DE NARIZ (L12-L17)	KLAMMERFÜHRUNG (L12-L17)	FRONT (L12-L17)
FC0073	GUIDE BODY (M12-M17)	PLACA DE NARIZ (M12-M17)	KLAMMERFÜHRUNG (M12-M17)	FRONT (M12-M17)
FC0075	GUIDE BODY (N12-N17)	PLACA DE NARIZ (N12-N17)	KLAMMERFÜHRUNG (N12-N17)	FRONT (N12-N17)
FC0077	PLATE	PLACA	PLATTE	PLAQUE
FC0078	DOOR	PUERTA	ABDECKSCHIEBER	PORTE
GB0198	DOOR	PUERTA	ABDECKSCHIEBER	PORTE
GB0199	RAIL (L)	CARRIL (L)	SCHIENE (L)	RAIL (L)
GB0201	RAIL (M&N)	CARRIL (M&N)	SCHIENE (M&N)	RAIL (M&N)
GB0202	PIVOT	PIVOTE	ACHSSTIFT	PIVOT
GB0304	FEEDER ASSEMBLY (L)	ENSEMBLAJE DEL ALIMENTADOR (L)	ROLLFEDER (L)	RESSORT DE POUSSOIR (L)
GB0305	FEEDER ASSEMBLY (M&N)	ENSEMBLAJE DEL ALIMENTADOR (M&N)	ROLLFEDER (M&N)	RESSORT DE POUSSOIR (M&N)
GC0323	SUPPORT	SUPORTE	TRÄGER	SUPPORT
GC0330	FEEDER SHOE (L)	ALIMENTADOR (L)	KLAMMERSCHIEBER (L)	POUSSOIR (L)
GC0331	FEEDER SHOE (M&N)	ALIMENTADOR (M&N)	KLAMMERSCHIEBER (M&N)	POUSSOIR (M&N)
GC0444	FEEDER SHOE HANDLE	MANGO DE ALIMENTADOR	KLAMMERSCHIEBER HANDGRIFF	POIGNÉE DE POUSSOIR
HA0121	TRIGGER ASSEMBLY	ASAMBLE DE GATILLO	AUSLÖSER-ZUSAMMENBAU	GACHETTE D'ASSEMBLÉE
HA0122	TRIGGER ASSEMBLY	ASAMBLE DE GATILLO	AUSLÖSER-ZUSAMMENBAU	GACHETTE D'ASSEMBLÉE
HC0052	RETAINER	JUNTA TÓRICA	SICHERUNGSRING	RETENUE
HC0054	BEARING	CAPA DEL COJINETE	LAGER	COUSSIN
HC0058	COVER	CUBIERTA	ABDECKUNG	PORTE
HC0305	SAFETY ELEMENT	SEGURO	SICHERHEITSVORRICHTUNG	PALPEUR DE SÉCURITÉ
KA0001	PIN ASSY	ASAMBLE DE PASADOR	STIFT-ZUSAMMENBAU	FINNETTE D'ASSEMBLÉE
KB0017	SCREW	TORNILLO	SCHRAUBE	VIS
KB0019	SCREW	TORNILLO	SCHRAUBE	VIS
KB0022	SCREW	TORNILLO	SCHRAUBE	VIS
KB0031	SCREW	TORNILLO	SCHRAUBE	VIS
KB0032	SCREW	TORNILLO	SCHRAUBE	VIS
KB1484	NUT	TUERCA	MUTTER	ÉCROU
KB1546	PIN	PASADOR	STIFT	FINNETTE
KB1553	PIN	PASADOR	STIFT	FINNETTE
KB2967	WASHER	ARANDELA	SCHEIBE	RONDELLE
KB3057	PIN	PASADOR	STIFT	FINNETTE
KB3225	PIN	PASADOR	STIFT	FINNETTE
KB3391	WASHER	ARANDELA	SCHEIBE	RONDELLE
KB4133	SPRING	MUELLE	FEDER	RESSORT
KB5280	SPRING	MUELLE	FEDER	RESSORT
LB0012	SEAL	SELLO	DICHTUNG	JOINT
LB0018	SEAL	SELLO	DICHTUNG	JOINT
LB0030	SEAL	SELLO	DICHTUNG	JOINT
LB0077	SEAL	SELLO	DICHTUNG	JOINT
LB0777	SEAL	SELLO	DICHTUNG	JOINT
LB0778	SEAL	SELLO	DICHTUNG	JOINT
LB5046	SEAL	SELLO	DICHTUNG	JOINT