

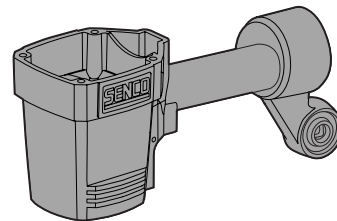
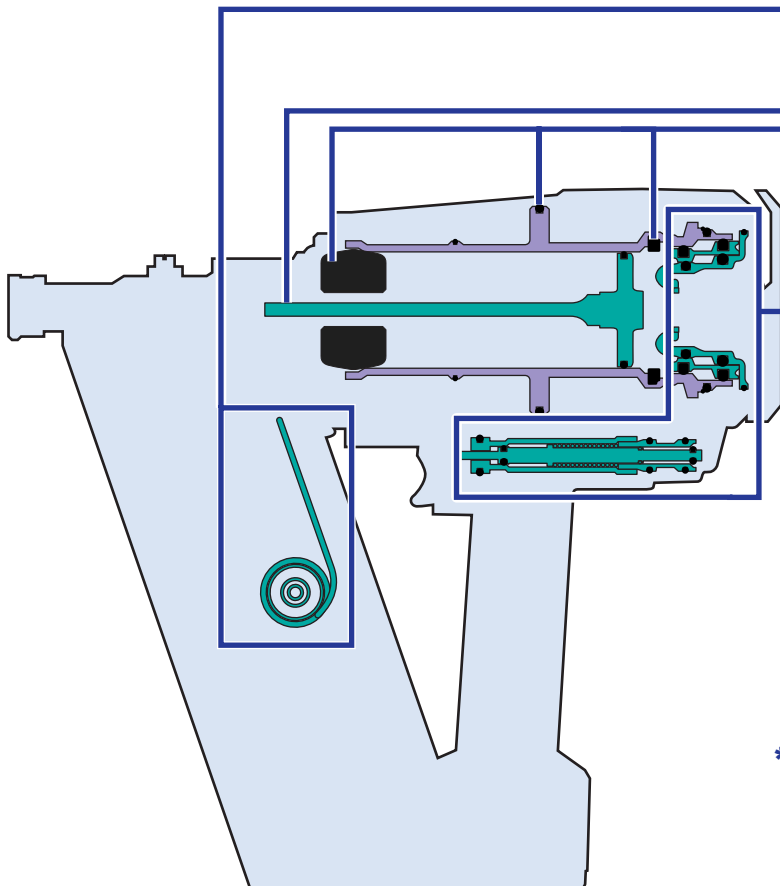
SN65C

Parts Reference Guide



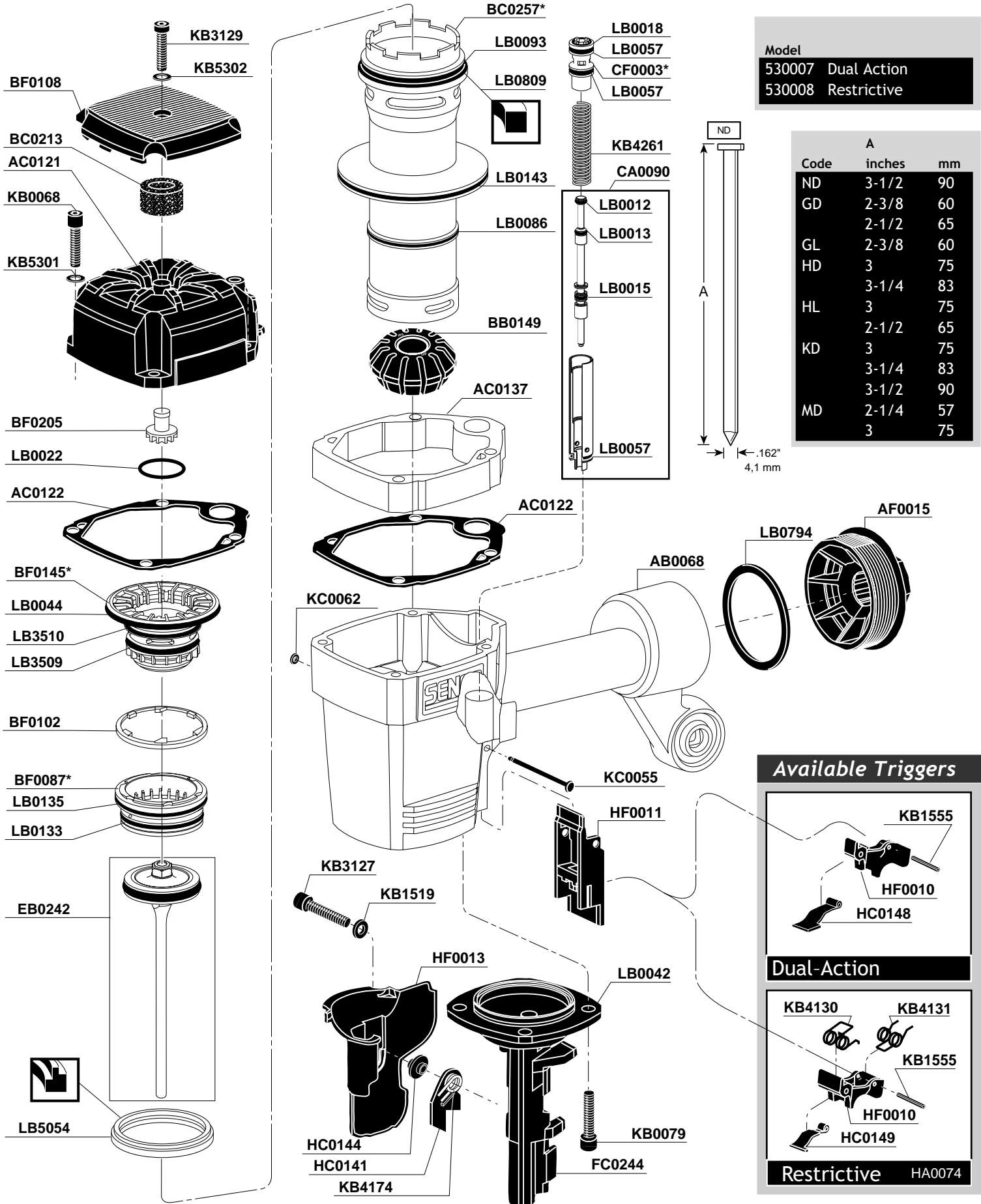
Parts Kits

| | |
|---|--------|
| D | YK0193 |
| C | YK0215 |
| B | YK0200 |
| A | YK0216 |



* Schematic Drawings inside

| | Symptom | Síntoma | Symptome | Symptôme | |
|---|---|---|---|--|---|
| A | Air Leak (Top) Tool does nothing Sluggish | Escape de Air (Arriba) Herramienta no mueve Operación Floja | Undichtigkeit oben am Gerät Gerät reagiert nicht | Fuite à l'échappement Ne fonctionne plus Appareil lent | A |
| B | Air Leak (Bottom) Poor Return | Escape de Air (Abajo) Retorno Flojo | Undichtigkeit unten am Gerät keine oder nur unzureichende Rückführung | Fuite à la base du moteur Remontée du conteau lente | B |
| C | Weak Drive Broken Driver | Penetrado Flojo Lanzeta Quebrada | Gerät treibt nicht ein Gebrochener Treiber | Peu de puissance Mauvaise percussion | C |
| D | Poor Feed Tool Jamming | Alimentador podre Entrancado de la Herramienta | Befestiger werden nicht nachgeschoben Gerät ist verklemt | Enraiments Mauvaise avance des projectiles | D |



Model

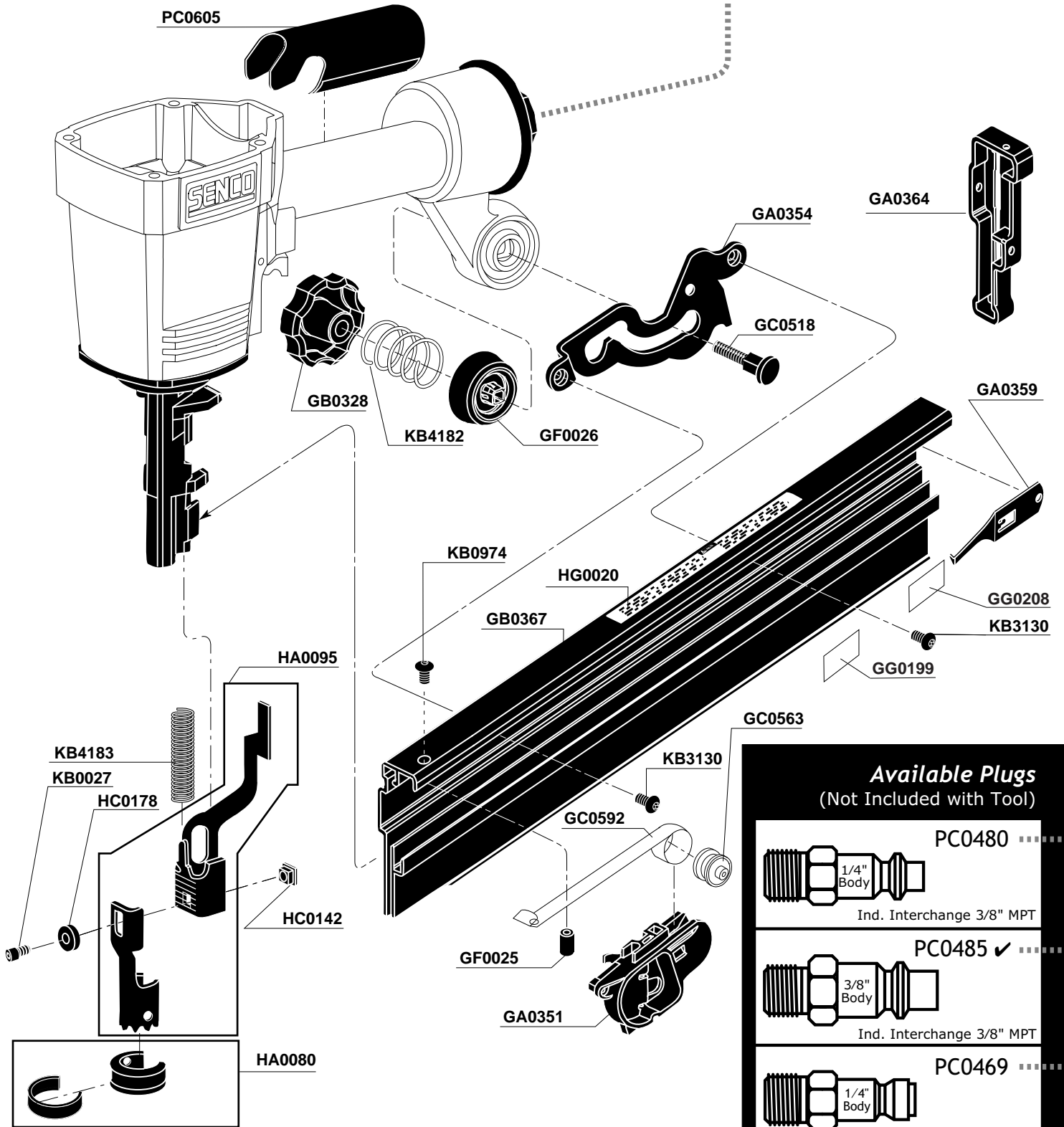
| | |
|--------|-------------|
| 530007 | Dual Action |
| 530008 | Restrictive |

| Code | A inches | mm |
|------|----------|----|
| ND | 3-1/2 | 90 |
| GD | 2-3/8 | 60 |
| | 2-1/2 | 65 |
| GL | 2-3/8 | 60 |
| HD | 3 | 75 |
| HL | 3-1/4 | 83 |
| | 2-1/2 | 65 |
| KD | 3 | 75 |
| | 3-1/4 | 83 |
| | 3-1/2 | 90 |
| MD | 2-1/4 | 57 |
| | 3 | 75 |

Available Triggers

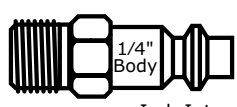
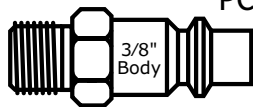
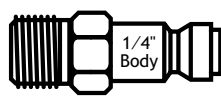
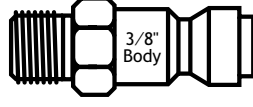
Dual-Action

Restrictive HA0074



- * Does Not Include O-rings
- * No incluye sellos de gomas
- * Ohne Dichtringe
- * Joints exclus

Available Plugs
(Not Included with Tool)

| | |
|---|---|
|  | PC0480 1/4" Body Ind. Interchange 3/8" MPT |
|  | PC0485 ✓ 3/8" Body Ind. Interchange 3/8" MPT |
|  | PC0469 1/4" Body Tru-Flate 3/8" MPT |
|  | PC0475 ✓ 3/8" Body Tru-Flate 3/8" MPT |

✓ **Recommended Plugs**
Plugs shown smaller than actual size

| PART NO. | DESCRIPTION | DESCRIPCIÓN | BESCHREIBUNG | DÉSIGNATION |
|----------|----------------------|-----------------------|------------------------------------|-----------------------------|
| AB0068 | MAIN BODY | CARCASA | GEHÄUSE | CORPS |
| AC0121 | CAP | TAPA | KAPPE | BOUCHON |
| AC0122 | SEAL | SELLO | DICHTUNG | JOINT |
| AC0137 | SPACER | SEPARADOR | DISTANZSTÜCK | ENTRETOISE |
| AF0015 | CAP | TAPA | KAPPE | BOUCHON |
| BB0149 | STOP | TOPE | PUFFER | ARRÊT |
| BC0213 | MUFFLER | SILENCIADOR | DAMPFER | SILENCIEUX |
| BC0257 | CYLINDER | CILINDRO | ZYLINDER | CYLINDRE |
| BF0087 | VALVE | VÁLVULA | VENTIL | VALVE |
| BF0102 | BUMPER | AMORTIGUADOR | PUFFER | AMORTISSEUR |
| BF0108 | DEFLECTOR | DESVIADOR | ABWEISER | DÉFLECTEUR |
| BF0145 | VALVE | VÁLVULA | VENTIL | VALVE |
| BF0161 | BUMPER | AMORTIGUADOR | PUFFER | AMORTISSEUR |
| CA0090 | CORE ASSEMBLY | ASAMBLE DE VÁSTAGO | VENTILSTIFT-ZUSAMMENBAU | ENSEMBLE NOYAU |
| CF0003 | CAGE | CAJA | KÄFIG | CAGE |
| EB0242 | PISTON ASSEMBLY | ASAMBLE DE PISTON | KOLBEN-ZUSAMMENBAU | ENSEMBLE PISTON-COUTEAU |
| FC0244 | GUIDE BODY | PLACA DE NARIZ | NAGELFÜHRUNG | FRONT |
| GA0351 | FEEDER SHOE | ALIMENTADOR | NAGELSCHIEBER | POUSSOIR |
| GA0354 | BRACKET | BRAZO | HALTERUNG | CAVALIER |
| GA0359 | NAIL DETAINER | RETENEDOR DE CLAVO | NAGELSPERRE | BUTÉE D'ARRÊT |
| GA0364 | END CAP | TAPA TERMINAL | ABSCHLUßKAPPE | BOUCHON D'EXTRÊMITE DE RAIL |
| GB0328 | KNOB | MANIVELA | KNOPF | MOLETTE DE VERROUILLAGE |
| GB0367 | MAGAZINE | CARGADOR | MAGAZIN | MAGASIN |
| GC0518 | SCREW | TORNILLO | SCHRAUBE | VIS |
| GC0563 | ROLLER | RODILLO | ROLLE | GALET |
| GC0592 | SPRING | RESORTE | FEDER | RESSORT |
| GF0025 | RETAINER | RETÉN | SICHERUNGSRING | RETENUE |
| GF0026 | INSERT | ACOPLAMIENTO | EINSATZ | INSERT |
| GG0199 | LABEL | ETIQUETA | AUFKLEBER | ÉTIQUETTE |
| GG0208 | LABEL | ETIQUETA | AUFKLEBER | ÉTIQUETTE |
| HA0074 | TRIGGER ASSY | ASAMBLE DE GATILLO | AUSLÖSER | ENSEMBLE GÂCHETTE |
| HA0080 | NO-MAR PAD | AMORTIGUADOR | SCHUTZ | COUSSIN |
| HA0095 | SAFETY ELEMENT ASSY | ASAMBLE DE SEGURO | SICHERHEITSVORRICHTUNG-ZUSAMMENBAU | ENSEMBLE DE SÉCURITÉ |
| HC0141 | STOP | TOPE | PUFFER | ARRÊT |
| HC0142 | INSERT | ACOPLAMIENTO | EINSATZ | INSERT |
| HC0144 | INSERT | ACOPLAMIENTO | EINSATZ | INSERT |
| HC0148 | TRIGGER | GATILLO | AUSLÖSER | GÂCHETTE |
| HC0149 | TRIGGER | GATILLO | AUSLÖSER | GÂCHETTE |
| HC0178 | WASHER | ARANDELA | SCHEIBE | RONDELLE |
| HF0010 | TRIGGER | GATILLO | AUSLÖSER | GÂCHETTE |
| HF0011 | COVER | CUBIERTA | ABDECKUNG | COUVERCLE |
| HF0013 | COVER | CUBIERTA | ABDECKUNG | COUVERCLE |
| HG0020 | LABEL | ETIQUETA | AUFKLEBER | ÉTIQUETTE |
| | (SAFETY PRECAUTIONS) | (NORMAS DE SEGURIDAD) | (SICHERHEITSHINWEISE) | (PRÉCAUTIONS DE SÉCURITÉ) |
| KB0027 | SCREW | TORNILLO | SCHRAUBE | VIS |
| KB0079 | SCREW | TORNILLO | SCHRAUBE | VIS |
| KB0974 | SCREW | TORNILLO | SCHRAUBE | VIS |
| KB1519 | WASHER | ARANDELA | SCHEIBE | RONDELLE |
| KB1555 | PIN | PASADOR | STIFT | GOUPILLE |
| KB3127 | SCREW | TORNILLO | SCHRAUBE | VIS |
| KB3129 | SCREW | TORNILLO | SCHRAUBE | VIS |
| KB3130 | SCREW | TORNILLO | SCHRAUBE | VIS |
| KB3217 | SCREW | TORNILLO | SCHRAUBE | VIS |
| KB4130 | SPRING | RESORTE | FEDER | RESSORT |
| KB4131 | SPRING | RESORTE | FEDER | RESSORT |
| KB4174 | SPRING | RESORTE | FEDER | RESSORT |
| KB4182 | SPRING | RESORTE | FEDER | RESSORT |
| KB4183 | SPRING | RESORTE | FEDER | RESSORT |
| KB4261 | SPRING | RESORTE | FEDER | RESSORT |
| KB5301 | WASHER | ARANDELA | SCHEIBE | RONDELLE |
| KB5302 | WASHER | ARANDELA | SCHEIBE | RONDELLE |
| KC0055 | PIN | PASADOR | STIFT | GOUPILLE |
| KC0062 | RETAINER | RETÉN | SICHERUNGSRING | RETENUE |
| LB0012 | SEAL | SELLO | DICHTUNG | JOINT |
| LB0013 | SEAL | SELLO | DICHTUNG | JOINT |
| LB0015 | SEAL | SELLO | DICHTUNG | JOINT |
| LB0018 | SEAL | SELLO | DICHTUNG | JOINT |
| LB0022 | SEAL | SELLO | DICHTUNG | JOINT |
| LB0042 | SEAL | SELLO | DICHTUNG | JOINT |
| LB0044 | SEAL | SELLO | DICHTUNG | JOINT |
| LB0057 | SEAL | SELLO | DICHTUNG | JOINT |
| LB0086 | SEAL | SELLO | DICHTUNG | JOINT |
| LB0093 | SEAL | SELLO | DICHTUNG | JOINT |
| LB0133 | SEAL | SELLO | DICHTUNG | JOINT |
| LB0135 | SEAL | SELLO | DICHTUNG | JOINT |
| LB0143 | SEAL | SELLO | DICHTUNG | JOINT |
| LB0787 | SEAL | SELLO | DICHTUNG | JOINT |
| LB0794 | SEAL | SELLO | DICHTUNG | JOINT |
| LB0809 | SEAL | SELLO | DICHTUNG | JOINT |
| LB3509 | SEAL | SELLO | DICHTUNG | JOINT |
| LB3510 | SEAL | SELLO | DICHTUNG | JOINT |
| LB5054 | SEAL | SELLO | DICHTUNG | JOINT |
| PC0605 | GRIP | AGARRADERO | GRIFF | GAINÉ EN CUIR |