

SNS40

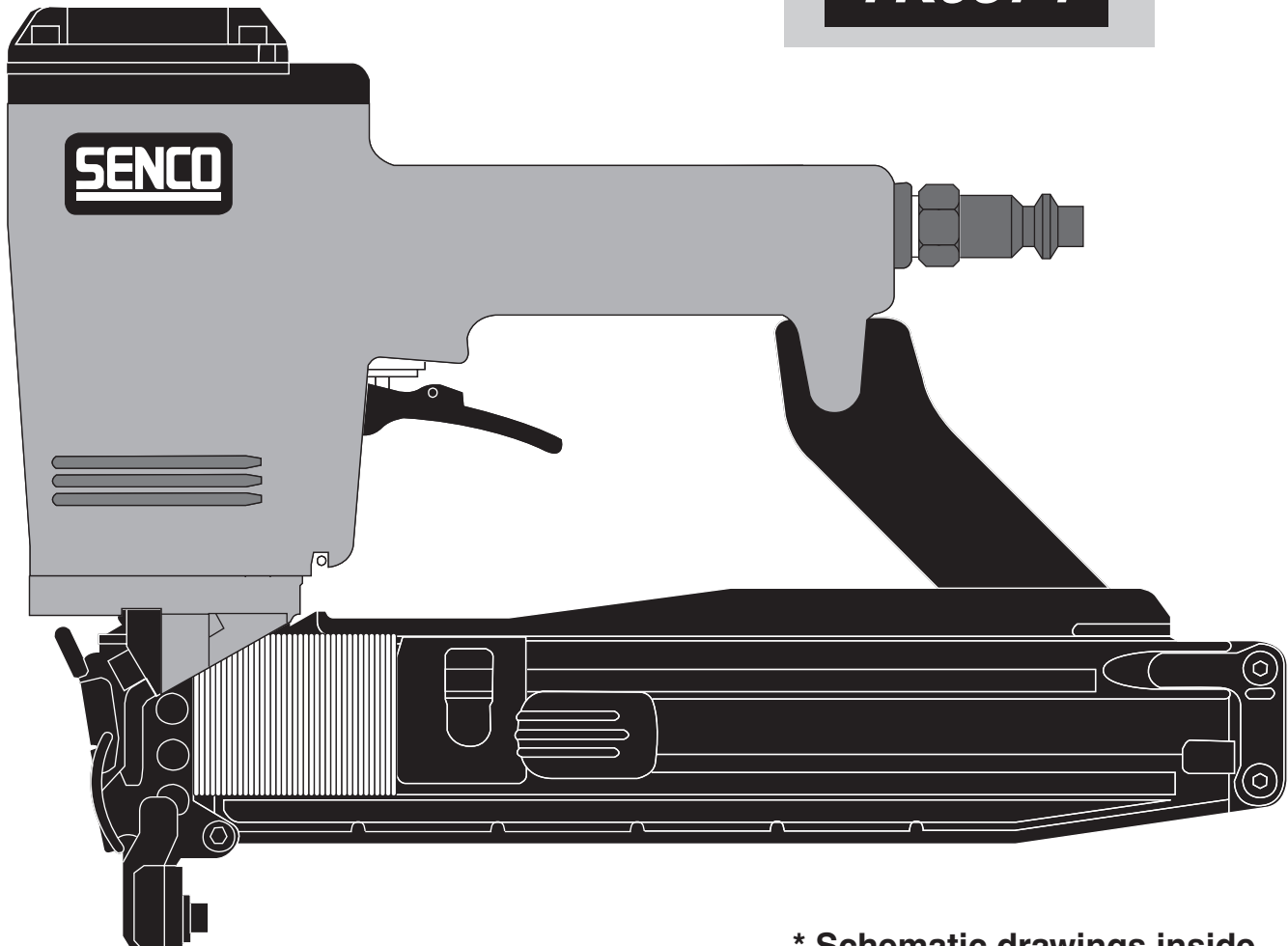


Parts Reference Guide



Repair Kit

YK0374

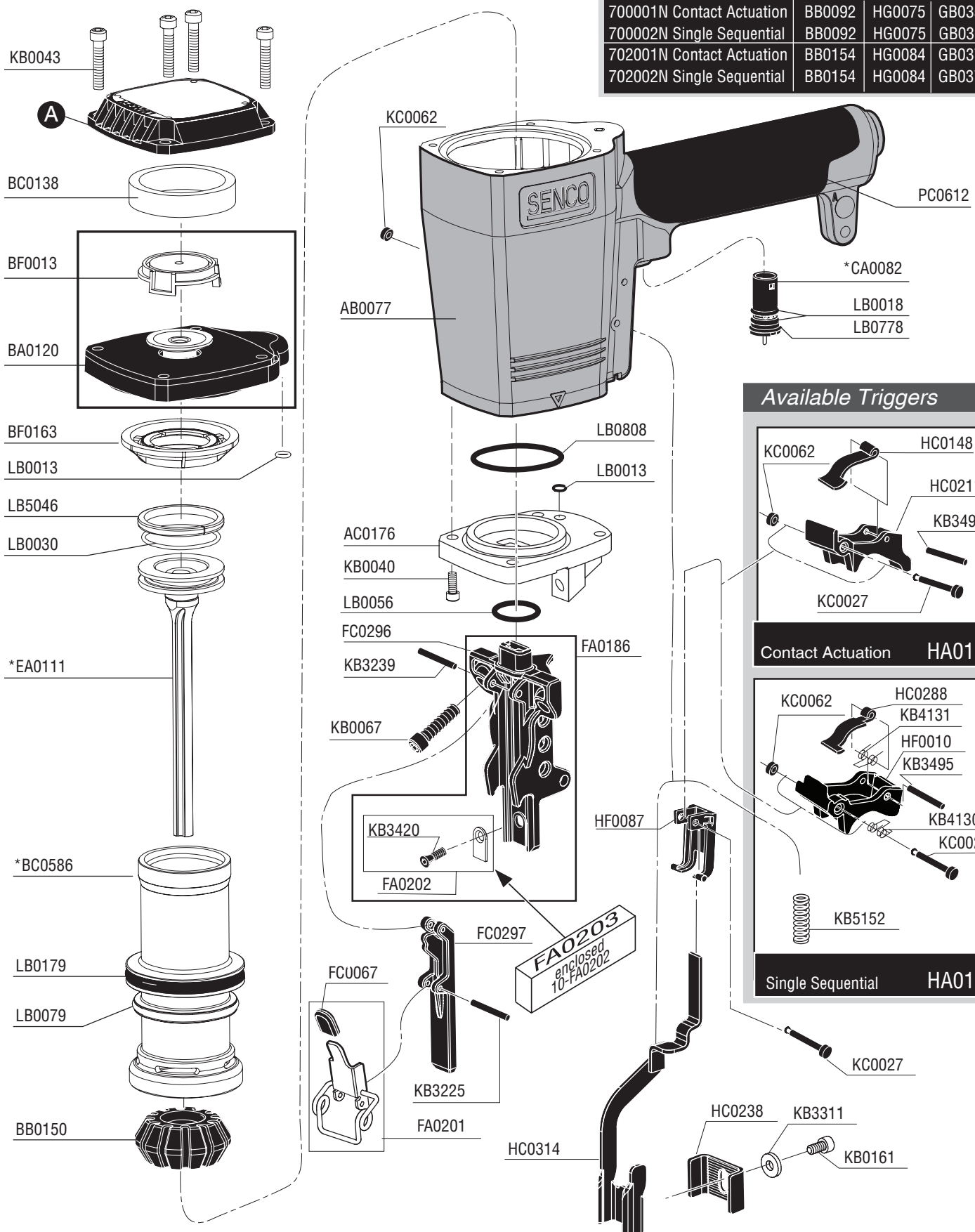


* Schematic drawings inside

Senco Brands Inc.
4270 Ivy Pointe Blvd.
Cincinnati, Ohio 45245
Visit Our Website: www.senco.com
EU Website: www.verpa-senco.com

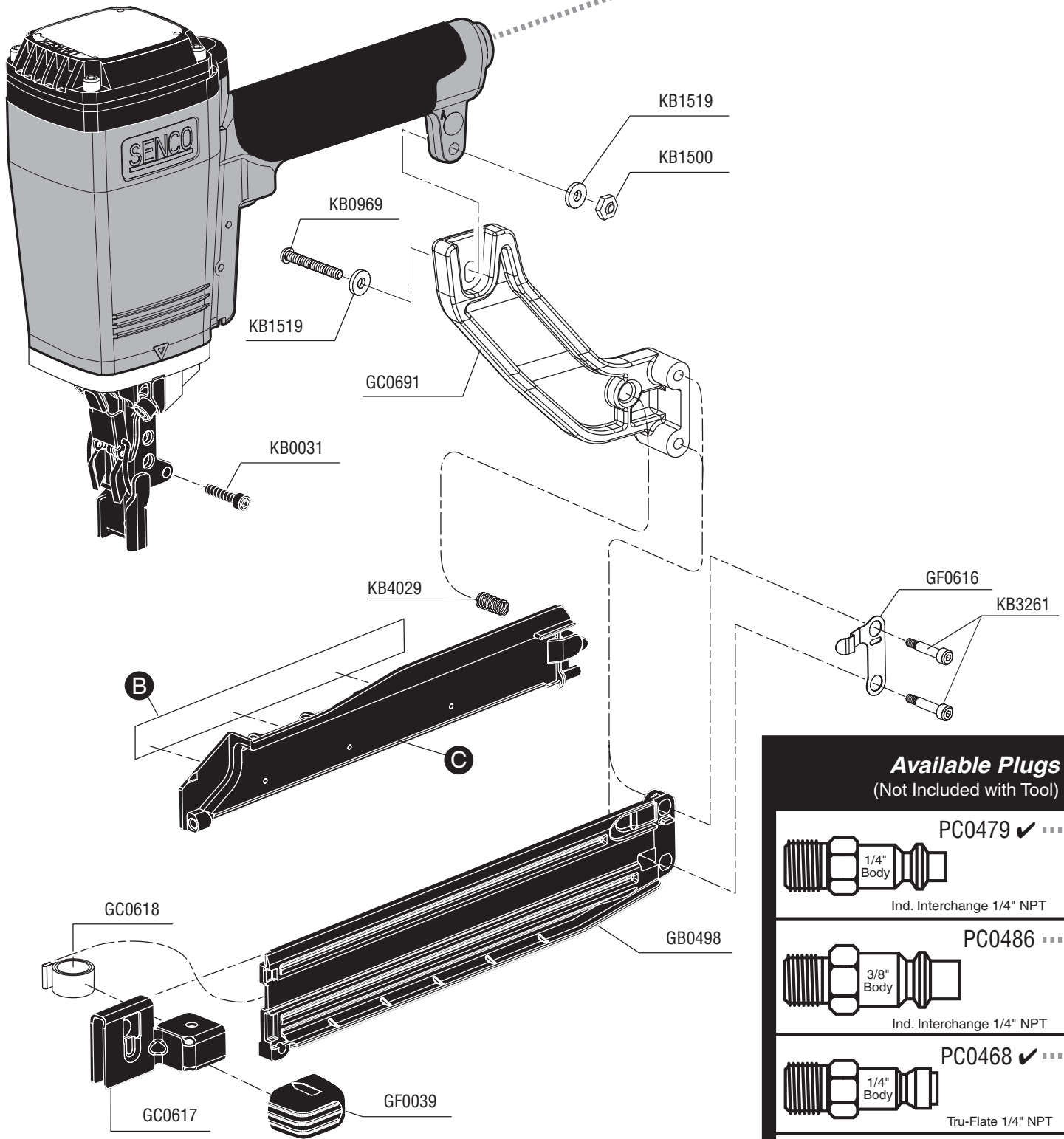
Questions? Comments? call SENCO's toll-free Action-line:
1-800-543-4596 or e-mail: toolprof@senco.com

Model	A	B	C
700001N Contact Actuation	BB0092	HG0075	GB0356
700002N Single Sequential	BB0092	HG0075	GB0356
702001N Contact Actuation	BB0154	HG0084	GB0372
702002N Single Sequential	BB0154	HG0084	GB0372



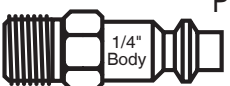


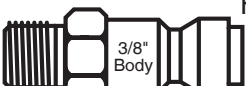
Available Triggers

KC0062	HC0148
	HC0211
	KB3495
	KC0027
Contact Actuation HA0107	
KC0062	HC0288
	KB4131
	HF0010
	KB3495
	KB4130
	KC0027
	KB5152
Single Sequential HA0106	



NFG070 Revised July 15, 2011 (Replaces 5/28/10) © 2011 by SENC0 Brands, Inc. Cincinnati, Ohio 45245 - U.S.A.

Available Plugs (Not Included with Tool)

	PC0479 ✓
1/4" Body	
Ind. Interchange 1/4" NPT	
	PC0486
3/8" Body	
Ind. Interchange 1/4" NPT	
	PC0468 ✓
1/4" Body	
Tru-Flate 1/4" NPT	
	PC0474
3/8" Body	
Tru-Flate 1/4" NPT	

✓ **Recommended Plugs**

Plugs shown smaller than actual size

- * Does Not Include O-rings
- * No incluye sellos de gomas
- * Ohne Dichtringe
- * Joints exclus

PART NO.	DESCRIPTION	DESCRIPCIÓN	BESCHREIBUNG	DÉSIGNATION
AB0077	MAIN BODY	CUERPO PRINCIPAL	GEHÄUSE	CORPS
AC0176	ADAPTOR	ADAPTADOR	ADAPTER	ADAPTATEUR
BA0120	VALVE ASSEMBLY	ASAMBLE DE VÁLVULA	VENTIL-ZUSAMMENBAU	VALVE D'ASSEMBLÉE
BB0092	CAP (US)	TAPA	KAPPE	BOUCHON
BB0150	STOP	TOPE	PUFFER	ARRÊT
BB0154	CAP (EURO)	TAPA	KAPPE	BOUCHON
BC0138	MUFFLER	SILENCIADOR	DÄMPFER	SILENCIEUX
BC0586	CYLINDER	CILINDRO	ZYLINDER	CYLINDRE
BF0013	SEAL	SELLO	DICHTUNG	JOINT
BF0163	RETAINER	JUNTA TÓRICA	SICHERUNGSRING	RETENUE
CA0082	VALVE ASSEMBLY	ASAMBLE DE VÁLVULA	VENTIL-ZUSAMMENBAU	VALVE D'ASSEMBLÉE
EA0111	PISTON ASSEMBLY	ASAMBLE DE PISTON	KOLBEN-ZUSAMMENBAU	ENSEMBLE PISTON-COUTEAU
FA0201	LATCH	UNETA	VERSCHLUSS	DOIGT DE RETENUE
FA0186	GUIDE BODY	PLACA DE NARIZ	NAGELFÜHRUNG	FRONT
FA0202	INSERT	ACOPLAMIENTO	EINSATZ	INSERT
FA0203	INSERT (10)	ACOPLAMIENTO (10)	EINSATZ (10)	INSERT (10)
FC0067	GRIP	AGARRADERO	GRIFF	GAINÉ EN CUIR
FC0297	PLATE	PLACA	PLATTE	PLAQUE
GB0356	DOOR (US)	PUERTA	ABDECKSCHIEBER	PORTE
GB0372	DOOR (EURO)	PUERTA	ABDECKSCHIEBER	PORTE
GB0498	MAGAZINE	CARGADOR	MAGAZIN	MAGASIN
GC0616	RETAINER	JUNTA TÓRICA	SICHERUNGSRING	RETENUE
GC0617	FEEDER SHOE	ALIMENTADOR	NAGELSCHIEBER	POUSSOIR
GC0618	SPRING	RESORTE	FEDER	RESSORT
GC0691	SUPPORT	SOPORTE	TRAGER	SUPPORT
GF0039	COVER	CUBIERTA	ABDECKUNG	COUVERCLE
HA0106	TRIGGER ASSEMBLY	ASAMBLE DE GATILLO	AUSLÖSER -ZUSAMMENBAU	GACHETTE D'ASSEMBLÉE
HA0107	TRIGGER ASSEMBLY	ASAMBLE DE GATILLO	AUSLÖSER -ZUSAMMENBAU	GACHETTE D'ASSEMBLÉE
HC0148	TRIGGER	GATILLO	AUSLÖSER	GACHETTE
HC0211	TRIGGER	GATILLO	AUSLÖSER	GACHETTE
HC0238	SAFETY ELEMENT	SEGURO	SICHERHEITSVORRICHTUNG	PALPEUR DE SÉCURITÉ
HC0288	TRIGGER	GATILLO	AUSLÖSER	GACHETTE
HC0314	SAFETY ELEMENT	SEGURO	SICHERHEITSVORRICHTUNG	PALPEUR DE SÉCURITÉ
HF0010	TRIGGER	GATILLO	AUSLÖSER	GACHETTE
HF0087	COVER	CUBIERTA	ABDECKUNG	COUVERCLE
HG0075	LABEL (US)	ETIQUETA	AUFKLEBER	ÉTIQUETTE
HG0084	LABEL (EURO)	ETIQUETA	AUFKLEBER	ÉTIQUETTE
KB0031	SCREW	TORNILLO	SCHRAUBE	VIS
KB0040	SCREW	TORNILLO	SCHRAUBE	VIS
KB0043	SCREW	TORNILLO	SCHRAUBE	VIS
KB0067	SCREW	TORNILLO	SCHRAUBE	VIS
KB0161	SCREW	TORNILLO	SCHRAUBE	VIS
KB0969	SCREW	TORNILLO	SCHRAUBE	VIS
KB1500	NUT	TUERCA	MUTTER	ÉCROU
KB1519	WASHER	ARANDELA	SCHEIBE	RONDELLE
KB3225	PIN	PASADOR	STIFT	GOUPILLE
KB3239	PIN	PASADOR	STIFT	GOUPILLE
KB3261	SCREW	TORNILLO	SCHRAUBE	VIS
KB3311	WASHER	ARANDELA	SCHEIBE	RONDELLE
KB3420	SCREW	TORNILLO	SCHRAUBE	VIS
KB3495	PIN	PASADOR	STIFT	GOUPILLE
KB4029	SPRING	RESORTE	FEDER	RESSORT
KB4130	SPRING	RESORTE	FEDER	RESSORT
KB4131	SPRING	RESORTE	FEDER	RESSORT
KB5152	SPRING	RESORTE	FEDER	RESSORT
KC0027	PIN	PASADOR	STIFT	GOUPILLE
KC0062	RETAINER	JUNTA TÓRICA	SICHERUNGSRING	RETENUE
LB0013	SEAL	SELLO	DICHTUNG	JOINT
LB0018	SEAL	SELLO	DICHTUNG	JOINT
LB0030	SEAL	SELLO	DICHTUNG	JOINT
LB0056	SEAL	SELLO	DICHTUNG	JOINT
LB0079	SEAL	SELLO	DICHTUNG	JOINT
LB0179	SEAL	SELLO	DICHTUNG	JOINT
LB0778	SEAL	SELLO	DICHTUNG	JOINT
LB0808	SEAL	SELLO	DICHTUNG	JOINT
LB5046	SEAL	SELLO	DICHTUNG	JOINT
PC0612	GRIP	AGARRADERO	GRIFF	GAINÉ DE CUIR