



Performance. Power.  
Productivity.™

# BC58

## BC58 Button Cap Stapler

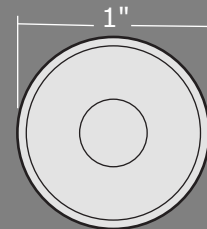
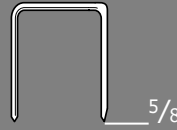
The SENC SENC's BC58 Button Cap Stapler saves time and money when installing house wrap and felt paper. Drives 21 gauge 1/2" crown 5/8" staples with plastic caps in tandem. Lightweight at 4.1 lbs. and ergonomic design for comfort and ease of use.



### Specifications

Item # . . . . .	4A0001N
Reg. Operating Pressure . . . . .	60-95 psi (4.1- 6.5 bar)
Air Inlet . . . . .	1/4" NPT
Tool Weight . . . . .	4.1 lbs (2 kg)
Height . . . . .	8.5" (216 mm)
Length . . . . .	12.5" (317 mm)
Width . . . . .	3.5" (89 mm)
Mode of Operation . . . . .	Contact actuation trigger mechanism (Dual Action)

Gauge: 21,  
Crown: 1/2"



### Fastener Specifications

Fastener Capacity . . . . .	110
Item# . . . . .	M004092
2200 button caps and staples per box.	
Drives 21 ga. 1/2" crown, 5/8" staples with 1" plastic caps in tandem.	
Staple Finish. . . . .	galvanized
Staple Collation . . . . .	glued strip

### Applications

For house wrap and roofing felt installation.

### Features and Benefits

- Cap Capacity – 110, Cap Collation – laser weld stack
- Easy load system for staples and caps
- Aluminum housing – lightweight 4.1 lbs. for ease of handling
- Balanced and fast for high production
- Belt hook – lets the tool go where you go
- Side mount cap collator – holds caps regardless of tool position
- Includes carrying case, hexwrenches, tool oil, 1/4" male coupler and manual

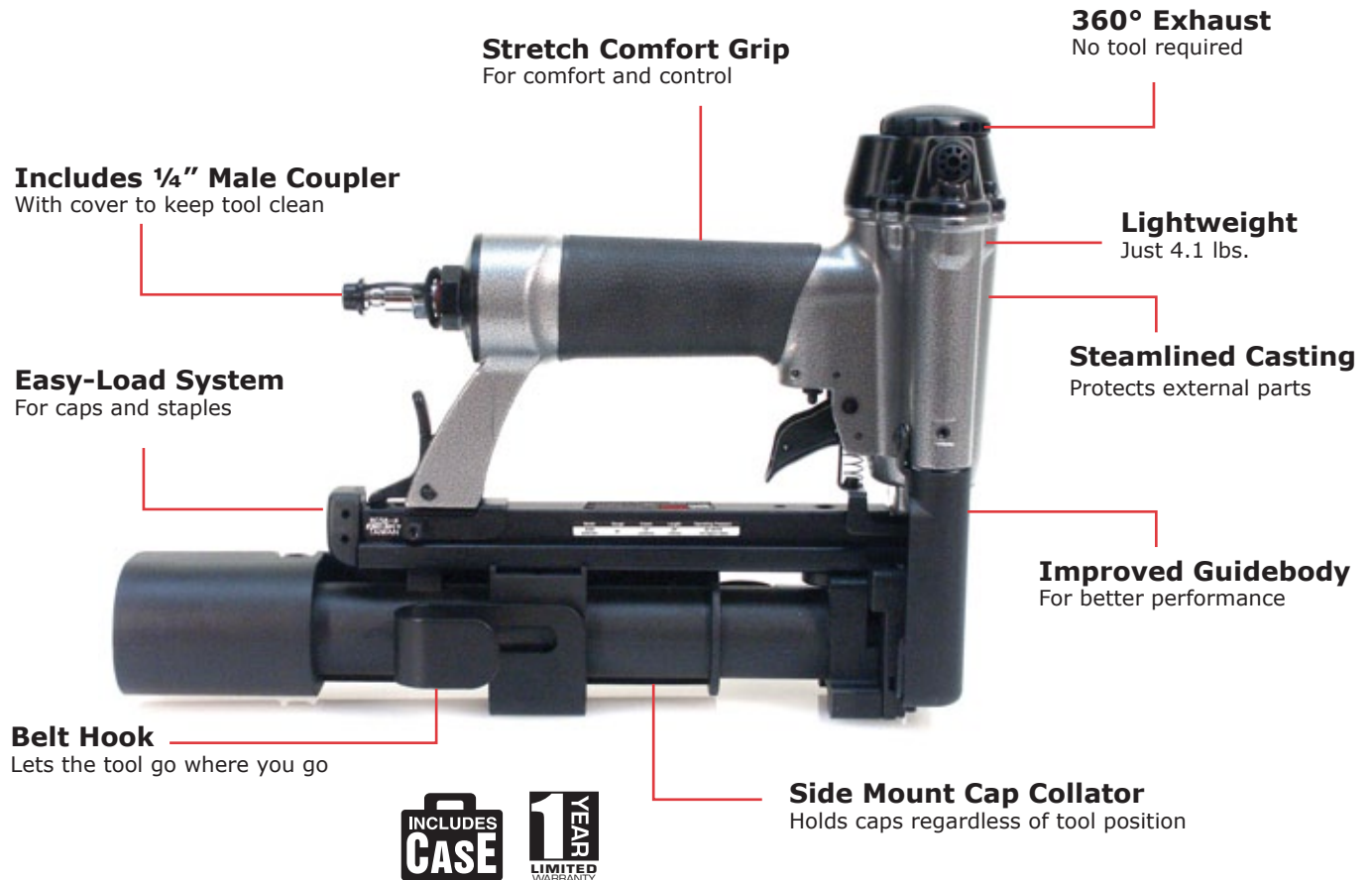


# SENCO®

Performance. Power.  
Productivity.™

# BC58

## Features



### Laser Welded Cap Collation

No loose caps, 55 laser weld caps per stack  
Item#: M004092

- 2200 button caps and staples per box -
- 21 gauge 1/2" crown 5/8" galvanized staples
- 55 caps in each strip

For additional information on how Senco will save you time, reduce costs, and increase quality, call us at 1-800-543-4596 to find your nearest Authorized Senco Dealer or Distributor or visit our web site at: [www.senco.com](http://www.senco.com)

**Contact Actuation Trigger** (also known as dual action, bounce or bottom fire) operates in the following sequence- pull the trigger first and keep the trigger pulled while moving the tool along the work surface with a bouncing motion, depressing the safety element at the nose of the tool against the work surface where the fastener is to be driven. This trigger is recommended for use by trained professionals only in high production or volume applications.

**Sequential Actuation Trigger** (also known as restrictive trigger or trigger fire) operates in the following sequence - depress the safety element at the nose of tool against the work surface then pull the trigger. After each fastener is driven, release the trigger and lift the tool off the work surface before starting the sequence again. This trigger is recommended and acceptable for most applications.