



For corded power and speed in various 1-5/8" – 3" wood screw applications, the Senco DuraSpin® DS300 Collated Screwdriver Attachment is the ultimate screw-driving companion to your Senco, DeWalt, Milwaukee and Makita electric screwdrivers. The DS300 Collated Screwdriver Attachment drives screws ranging from 1-5/8" – 3" (41 mm – 75 mm) in length, and comes complete with DuraSpin Feed System, mounting hardware, flooring extension, two square drive bits and a rugged carrying case.

## Applications:

Ideal for driving screws from 1-5/8" – 3" in length for exterior decking, floor sheathing and other wood-to-wood or wood-to-steel applications.

## Features and Benefits:

- **Pain-Free Productivity** – DuraSpin collated screws make even the novice or apprentice user as fast as the most experienced loose screw user. Plus, collated screws mean no more screw slivers underneath your fingernails, or painful finger cuts from bulk screws.
- **Reduced waste** – Eliminate the waste experienced with bulk screws (can be 10% to 15% of total screws used).
- **Patented Senco DuraSpin feed system** drives screws quickly and efficiently without jams or misfeeds.
- **Easy assembly** – Assembles in seconds to your 2500 rpm Senco, DeWalt, Makita or Milwaukee screwdriver.
- **Versatile productivity** – Great for all wood-to-wood fastening.
- **Ergonomic design** – May be used with a one-handed or two-handed grip. Cushioned second hand grip provides added comfort and reduced exertion. Flooring extension saves your knees and back, allowing screw driving from a comfortable standing position.

## Features and Benefits: (continued)

- **Easy Depth-of-Drive Adjustment** – Just turn the thumb screw to regulate the precise amount of countersink.
- **Quick Release** – Feed system snaps off to give easy bit access.
- **Adjustable Nose Piece** – Easily adjusts for screw sizes from 1-5/8" – 3" (41 mm – 75 mm).
- **Super-Tough Drive Bits** – Outlast the competition.
- **SENCO's Full One-Year Warranty** applies.

## Tool Specifications:

Model #: DS300

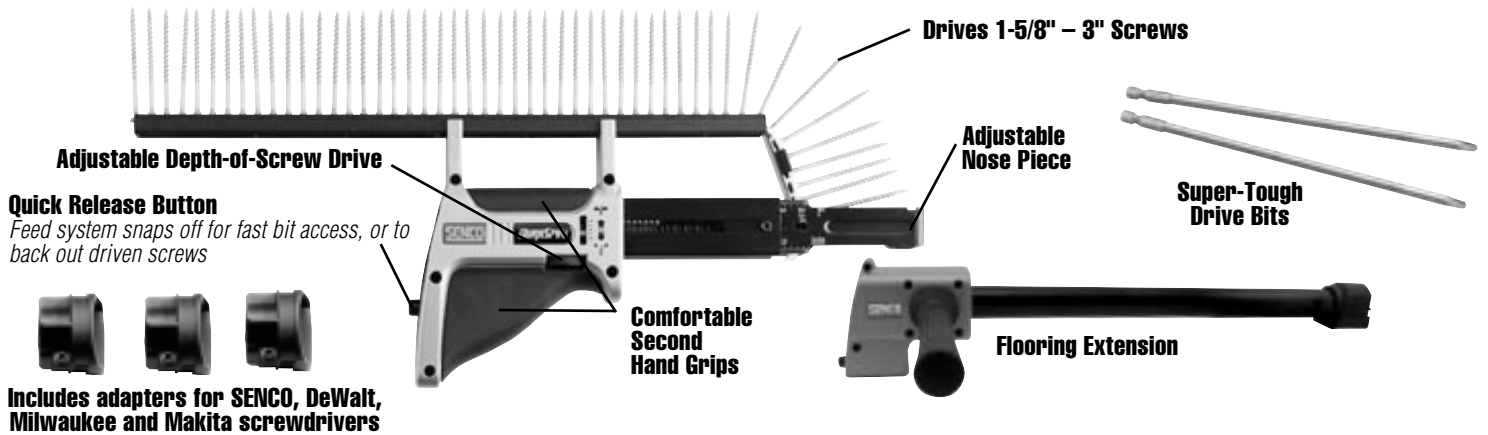
Item Code: 790015N	<u>Without Extension</u>	<u>With Extension</u>
Weight:	1.5 lbs (.7 kg)	3.5 lbs (1.6 kg)
Height: 7" (178 mm)		
Length:	20.5" (520 mm)	31" (786 mm)
Width: 2" (50 mm)		
Fastener Capacity: 50 screws (per strip)		

## Fastener Specifications: (see reverse side)

Screw Lengths: 1-5/8" – 3" (41 mm – 75 mm)

Screw Diameters: #6 – #10





Includes adapters for Senco, DeWalt, Milwaukee and Makita screwdrivers

Application:	Interior Wood to Wood	Good Exterior Wood to Wood (Decking)	Better Exterior Wood to Wood (Decking)		Best Exterior Wood to Wood (Decking)	Exterior Wood to Heavy Steel	Composite Decking
<b>Screw:</b>							
<b>Drive/Head:</b>	#2 Square  Flat	#2 Square  Flat	#2 Phillips  Bugle	#2 Square  Flat	#2 Square  Flat	#2 Square  Flat	#2 Square  Modified Trim
<b>Thread:</b>	Coarse <sup>2</sup> / <sub>3</sub> with Wax	Coarse <sup>2</sup> / <sub>3</sub> with Wax	Coarse	Coarse <sup>2</sup> / <sub>3</sub> with Wax	Coarse <sup>2</sup> / <sub>3</sub> with Wax	Fine	Coarse <sup>2</sup> / <sub>3</sub> with Wax
<b>Point:</b>	Sharp	Type 17 (Cut)	Sharp	Type 17 (Cut)	Type 17 (Cut)	Self-Drilling with Wings	Type 17 (Cut)
<b>Finish:</b>	Yellow Zinc (Minimal Rust Protection)	Silver Kylan*	Weatherex II**		Stainless Steel	Silver Kylan*	Stainless Steel

\*Provides corrosion resistance in excess of 1,000 hours in salt spray (in accordance with ASTM-B117-94).

\*\*Provides corrosion resistance in excess of 1,000 hours in salt spray (per ASTM-B117-94) and meets requirements of ASTM-B633, Type II Severe Condition (SC3). Equivalent to ASTM-A641 "Type 1" galvanization.

For additional information on how Senco Fastening Solutions will save you time, reduce costs and increase quality, call for a Dealer or Distributor close to you. Senco Action Line: 1-800-543-4596. Or visit our web site: [www.senco.com](http://www.senco.com)