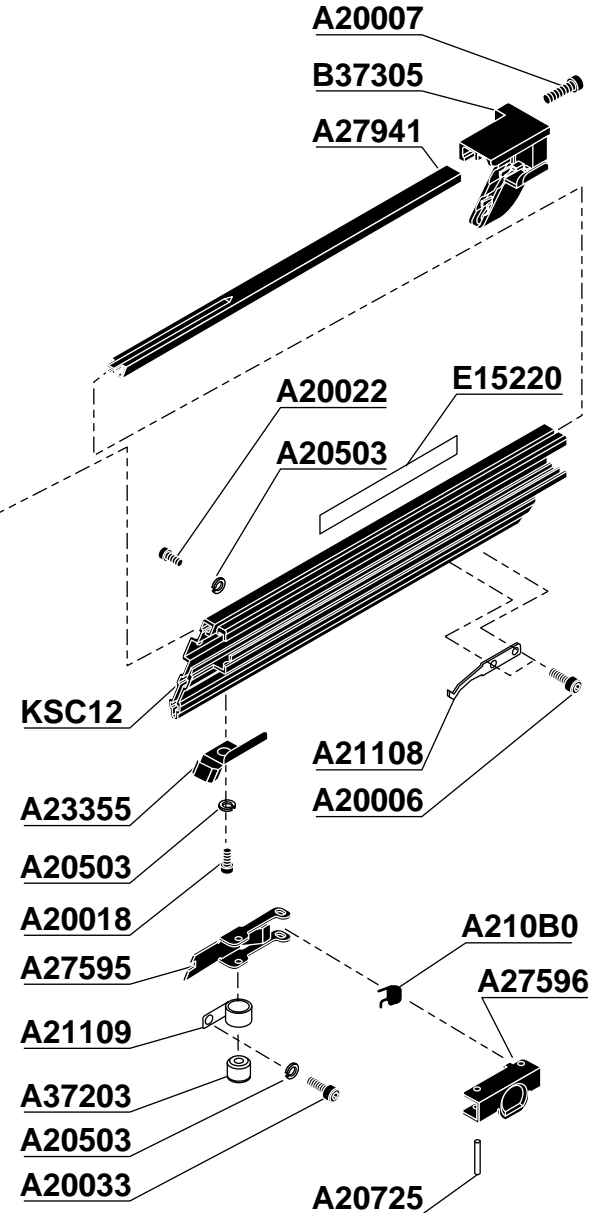
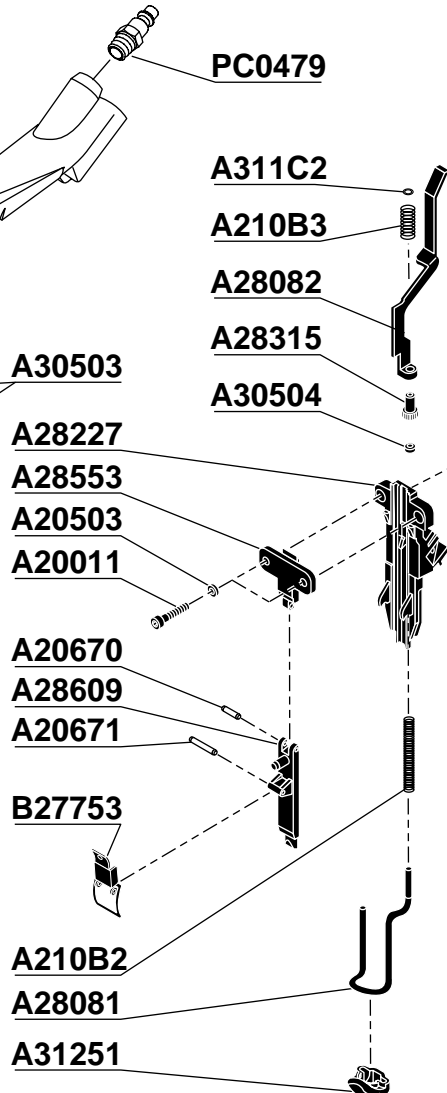
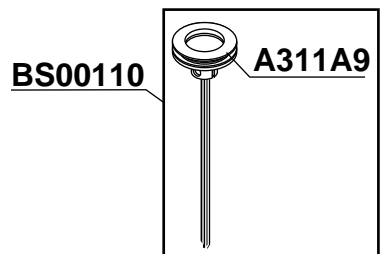
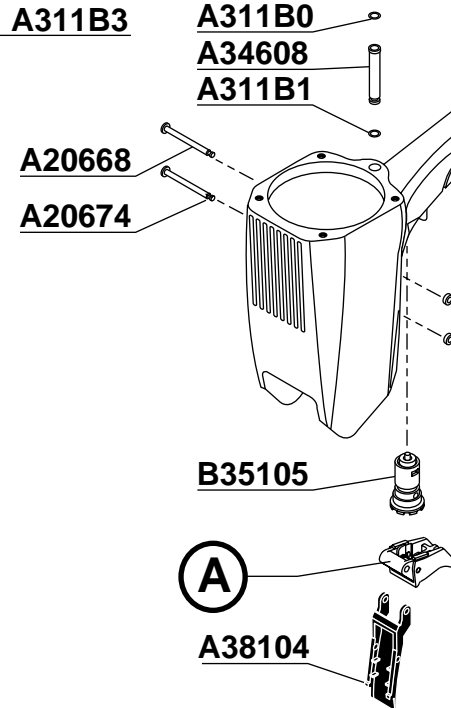
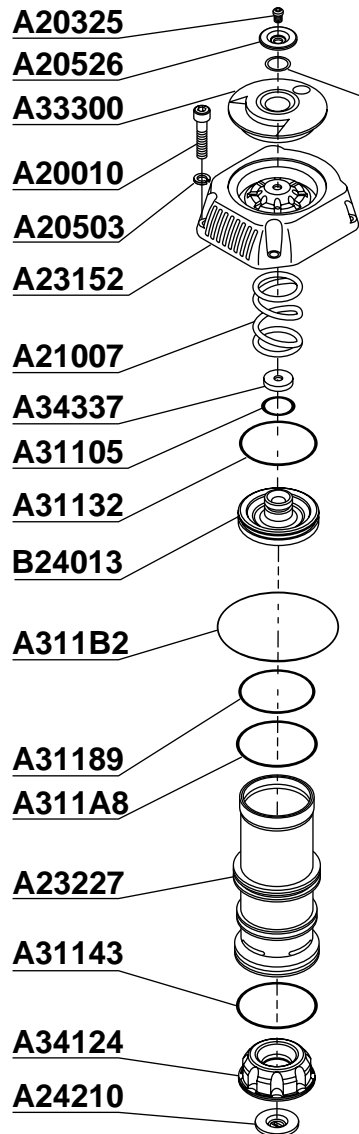




**Parts List**  
**A250FN**



NFD093 Revised June 29, 1999  
(Replaces 3/29/99)  
© 1998, 1999 Senco Products, Inc.  
8485 Broadwell Rd.  
Cincinnati, Ohio 45244

TOOL #	A
930001 Restrictive	B35011
930002 Dual Action	B25028



**REPLACEMENT PARTS LIST**  
**LISTA DE PARTES DE REPUESTO • LISTE DE PIÉCES DE RECHANGE**

<u>PART NO.</u>	<u>DESCRIPTION</u>	<u>DESCRIPCIÓN</u>	<u>DÉSIGNATION</u>
A20006	SCREW	TORNILLO	VIS
A20007	SCREW	TORNILLO	VIS
A20010	SCREW	TORNILLO	VIS
A20011	SCREW	TORNILLO	VIS
A20018	SCREW	TORNILLO	VIS
A20022	SCREW	TORNILLO	VIS
A20033	SCREW	TORNILLO	VIS
A20325	SCREW	TORNILLO	VIS
A20503	WASHER	ARANDELA	RONDELLE
A20526	WASHER	ARANDELA	RONDELLE
A20668	PIN	PASADOR	GOUPILLE
A20670	PIN	PASADOR	GOUPILLE
A20671	PIN	PASADOR	GOUPILLE
A20674	PIN	PASADOR	GOUPILLE
A20725	PIN	PASADOR	GOUPILLE
A21007	SPRING	RESORTE	RESSORT
A210B0	SPRING	RESORTE	RESSORT
A210B2	SPRING	RESORTE	RESSORT
A210B3	SPRING	RESORTE	RESSORT
A21108	RETAINER	RETÉN	RETENUE
A21109	SPRING	RESORTE	RESSORT
A23152	CAP	TAPA	BOUCHON
A23227	CYLINDER	CILINDRO	CYLINDRE
A23355	COVER	CUBIERTA	COUVERCLE
A24210	WASHER	ARANDELA	RONDELLE
A27595	FEEDER SHOE	ALIMENTADOR	POUSSOIR
A27596	HOUSING	ALOJAMIENTO	CORPS
A27941	RAIL	CARRIL	RAIL
A28081	SAFETY ELEMENT	SEGURO	PALPEUR DE SÉCURITÉ
A28082	SAFETY ELEMENT	SEGURO	PALPEUR DE SÉCURITÉ
A28227	GUIDE BODY	PLACA DE NARIZ	FRONT
A28315	WHEEL	MANIVELA	MOLETTE
A28553	PLATE	PLACA	PLAQUE

<u>PART NO.</u>	<u>DESCRIPTION</u>	<u>DESCRIPCIÓN</u>	<u>DÉSIGNATION</u>
A28609	FRONT PLATE	PLACA	PLAQUE
A30503	RETAINER	RETÉN	RETENUE
A30504	RING	ANILLO	ANNEAU
A31105	SEAL	SELLO	JOINT
A31132	SEAL	SELLO	JOINT
A31143	SEAL	SELLO	JOINT
A31189	SEAL	SELLO	JOINT
A311A8	SEAL	SELLO	JOINT
A311A9	SEAL	SELLO	JOINT
A311B0	SEAL	SELLO	JOINT
A311B1	SEAL	SELLO	JOINT
A311B2	SEAL	SELLO	JOINT
A311B3	SEAL	SELLO	JOINT
A311C2	SEAL	SELLO	JOINT
A31251	NOMAR TIP	AMORTIGUADOR	COUSSIN
A33300	EXHAUST COVER	CUBIERTA	COUVERCLE
A34124	BUMPER	AMORTIGUADOR	AMORTISSEUR
A34337	SEAL	SELLO	JOINT
A34608	TUBE	TUBO	TUBE
A37203	ROLLER	RODILLO	GALLET
A38104	COVER	CUBIERTA	COUVERCLE
B24013	VALVE	VÁLVULA	VALVE
B25028	TRIGGER ASSEMBLY	ASAMBLE DE GATILLO	GACHETTE D'ASSAMBLÉE
B27753	LATCH	UÑETA	DOIGT DE RETENUE
B35011	TRIGGER ASSEMBLY	ASAMBLE DE GATILLO	GACHETTE D'ASSAMBLÉE
B35105	VALVE ASSEMBLY	DIAFRAGMA	ENSEMBLE-VALVE
B37305	END CAP	TAPA TERMINAL	BOUCHON D'EXTRÉMITÉ
BS00110	PISTON ASSEMBLY	ASAMBLE DE PISTON	ENSEMBLE PISTON-COUTEAU
E15220	LABEL	ETIQUETA	ETIQUETTE
	(SAFETY PRECAUTIONS)	(NORMAS DE SEGURIDAD)	(PRÉCAUTIONS DE SÉCURITÉ)
KSC12	MAGAZINE	CARGADOR	MAGASIN
PC0479	PLUG	RETÉN	EMBOUT