



Tipo
Type

Coassiale
Coaxial

Modello
Model

CT201 1,5M

Litri
Litres -----

V/Hz/Ph
115/60/1 CSA

Codice
Code

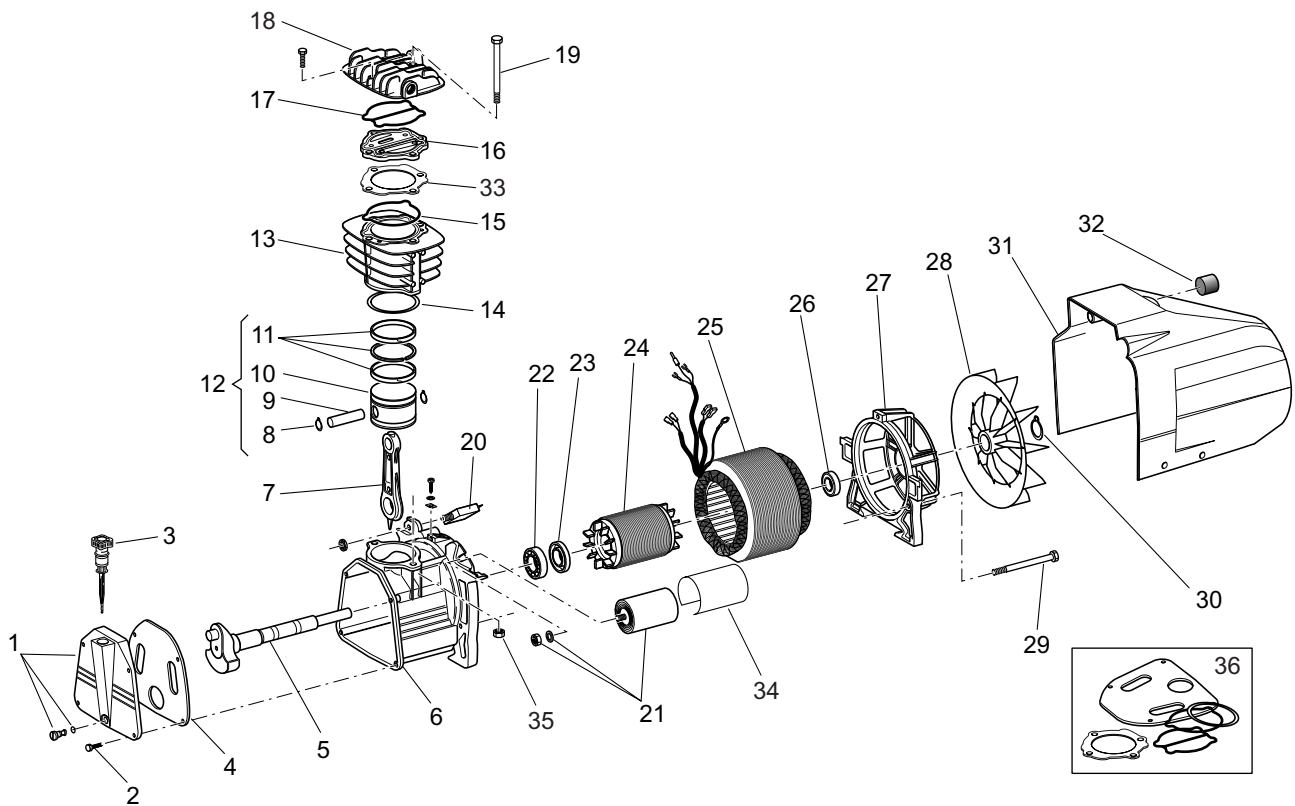
516HF08418

Data
Date

**Giugno 2004
June 2004**

Revisione
Revision

01



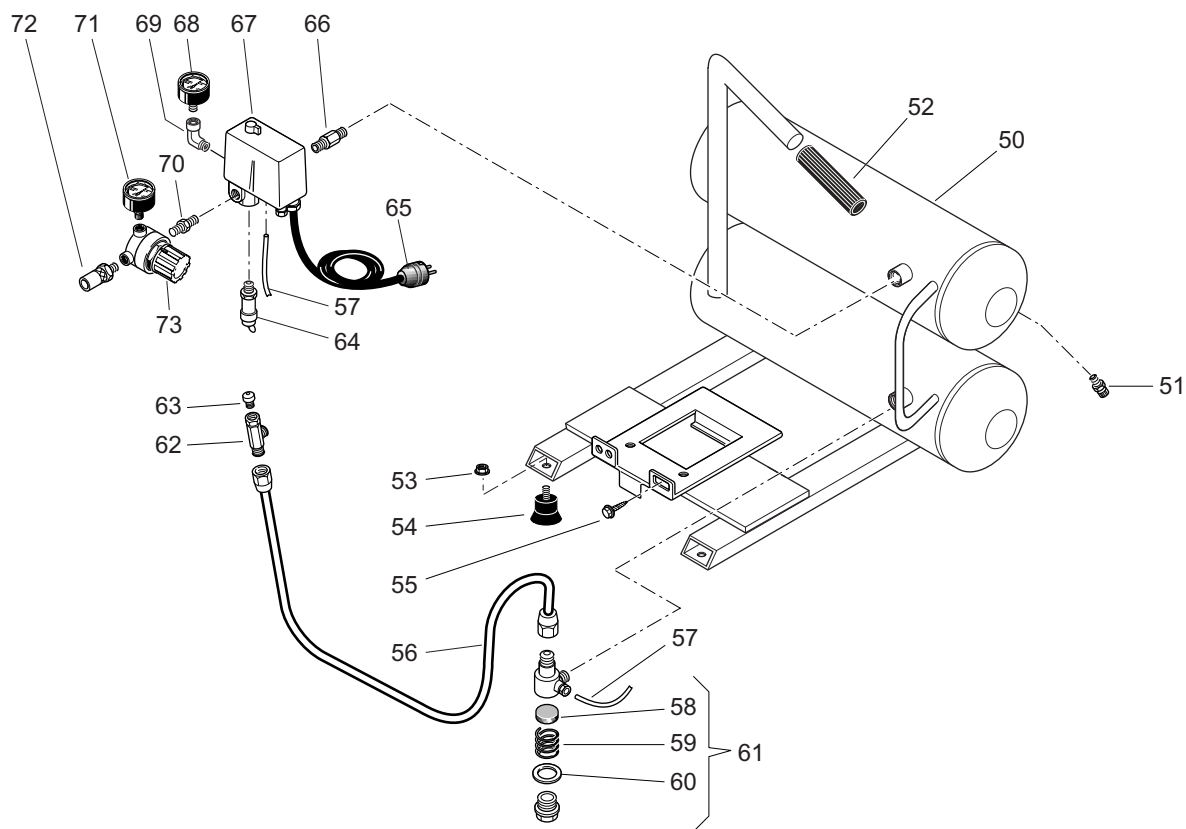
Rif.	Q.ta'	Codice	* Denominazione	
Ref.	Q.ty	Code	Denomination	
1	1	125109012	1 COPERCHIO CARTER	CASING COVER
2	4	130203179	VTE M4,2X19	SCREW
3	1	116120003	2 ASTA OLIO	OIL DIPSTICK
4	1	116120016	GUARNIZ.COPERCHIO CARTER	COVER GASKET
5	1	279111043	ALBERO A GOMITO FIN.CT201 CSA	CRANKSHAFT
6	1	116120006	CARTER	CASING
7	1	116091021	2 BIELLA	CONNECTING ROD
8	2	015001000	ANELLO SEEGER	CIRCLIP
9	1	116022004	PISTONE 47 MK105	PISTON Ø47
10	1	116022040	SPINOTTO 12X38 D47	GUDGEON PIN
11	1	216022002	KIT SEGMENTI	PISTON RING KIT
12	1	416022004	2 PISTONE COMPLETO	COMPLETE PISTON
13	1	116120021	CILINDRO	CYLINDER
14	1	161280020	GUARNIZIONE OR 3212 (NBR)	O-RING 3212 (NBR)
15	1	116120013	GUARNIZIONE CILINDRO	CYLINDER GASKET
16	1	116120100	1 PIASTRA PORTAVALV.COMPLETA	VALVE HOLDER PLATE
17	1	116120014	GUARNIZIONE TESTA	HEAD GASKET
18	1	116120015	TESTA FIL.3/8	HEAD 3/8 NPT
19	2	014001071	VTE M8X111 8.8	SCREW
20	1	008055000	1 MOTOPROT.MANUALE 16A	OVERLOAD CUTOUT
21	1	009200060	2 COND.FILM 60MF	FILM CONDENSER
22	1	033082000	CUSCINETTO 6005	BEARING
23	1	010132000	ANELLO DI TENUTA	SEAL RING
24	1	034141000	ROTORE 65X70-18	ROTOR
25	1	155912572	1 ST.AV.HP1.5P2MV115/60SM CSA	WOUND CASING
26	1	033005000	CUSCINETTO 6203-2Z	BEARING
27	1	116120007	CALOTTA	REAR COVER

* Ricambi consigliati in percentuale - Suggested parts in percentage

Rif.	Q.ta'	Codice	*	Denominazione	
Ref.	Q.ty	Code		Denomination	
28	1	116120008		VENTOLA	FAN
29	3	014002125		VTE M5X110	SCREW
30	1	015083000		ANELLO SEEGER TIPO G16X1,5	PIN RETAINING RING
31	1	280801020	1	CARENATURA	HOUSING
32	1	116120017	10	FILTRO ASPIRAZIONE	INTAKE FILTER
33	1	116120022		GUARNIZ.CILINDRO 60HZ 2MM	CYLINDER GASKET 2MM (60HZ)
34	1	116034013		PROTEZIONE CONDENSATORE	CONDENSER PROTECTION
35	2	014003018		DADO ESAG.M8	NUT
36	1	216120002	6	KIT GUARNIZIONI	SET OF GASKETS



Tipo Type	Coassiale Coaxial	Modello Model	Bi-Tank 18/201 (PC1001)	Litri Litres	18	V/Hz/Ph 115/60/1 CSA
Codice Code	627HFG1918	Data Date	Giugno 2004 June 2004	Revisione Revision	01	



Rif. Ref.	Q.ta' Q.ty	Codice Code	* Denominazione Denomination	
50	1	240001018S	SERB.SALD.L18	TANK
51	2	022029000	RUBIN.SCARICO COND.3/8	DRAIN COCK
52	1	125100003	MANOPOLA	KNOB
53	4	161190010	DADO FLANG.M5	EXAG. NUT
54	4	116011006	ANTIVIBRANTE	VIBRATION DAMPER
55	6	014013042	VTE M5X15 TAP-TITE F/RO	SCREW
56	1	117000108	TUBO MAND.RAME Ø 10 BITANK	DELIVERY TUBE
57	1	046001000	TUBO 6X4 RILSAN	RILSAN TUBE
58	1	047129001	ELEMENTO DI TENUTA	SEAL
59	1	047113002	MOLLA	SPRING
60	1	010041000	GUARNIZIONE	GASKET
61	1	347043000	VALV.RITEGNO 3/8X3/8MM	NON RETURN VALVE
62	1	199617000	RACCORDO R3/8 X VALV.AUT.	VALVE FITTING
63	1	011158000	VALV.AUTOMATICA G1/4	AUOTMATIC VALVE
64	1	132206032	VALV.SICUREZZA G1/4 T8B	SAFETY VALVE
65	1	130505005	CAVO SJT3X14AWG USA CSA/UL	POWER CABLE
66	1	011017000	NIPPLO GC1/4X1/4	NIPPLE
67	1	321049000	PRESSOSTATO MDR21/11	PRESSURE SWITCH
68	1	132101010	MANOMETRO 50-GC1/4	PRESSURE GAUGE
69	1	011002000	RACCORDO LINEA L MF 1/4	L-FITTING
70	1	011498000	NIPPLO GC1/4X1/4 NPT	NIPPLE
71	1	330046000	MANOM.50-12 BAR-PSI 1/8 NPT	PRESSURE GAUGE
72	1	022027000	RUBIN.RAPIDO 1/4NPT	QUICK COUPLING
73	1	319073000	RIDUTT.PRESS.R46-225-RNLA NPT	PRESSURE REDUCER

* Ricambi consigliati in percentuale - Suggested parts in percentage