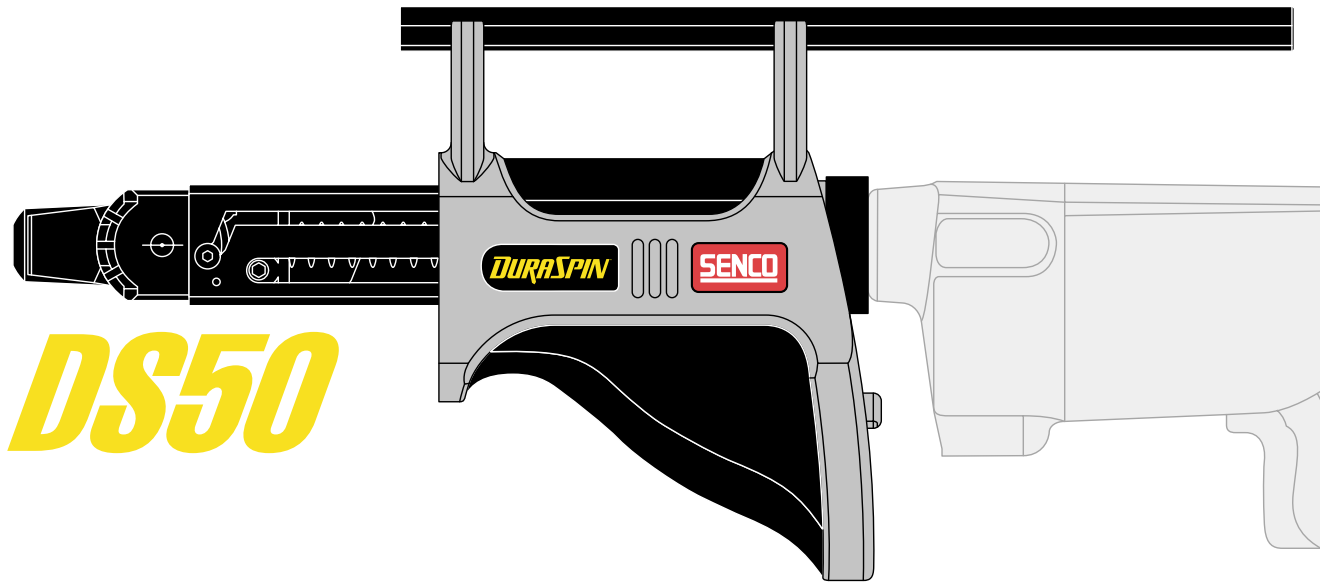




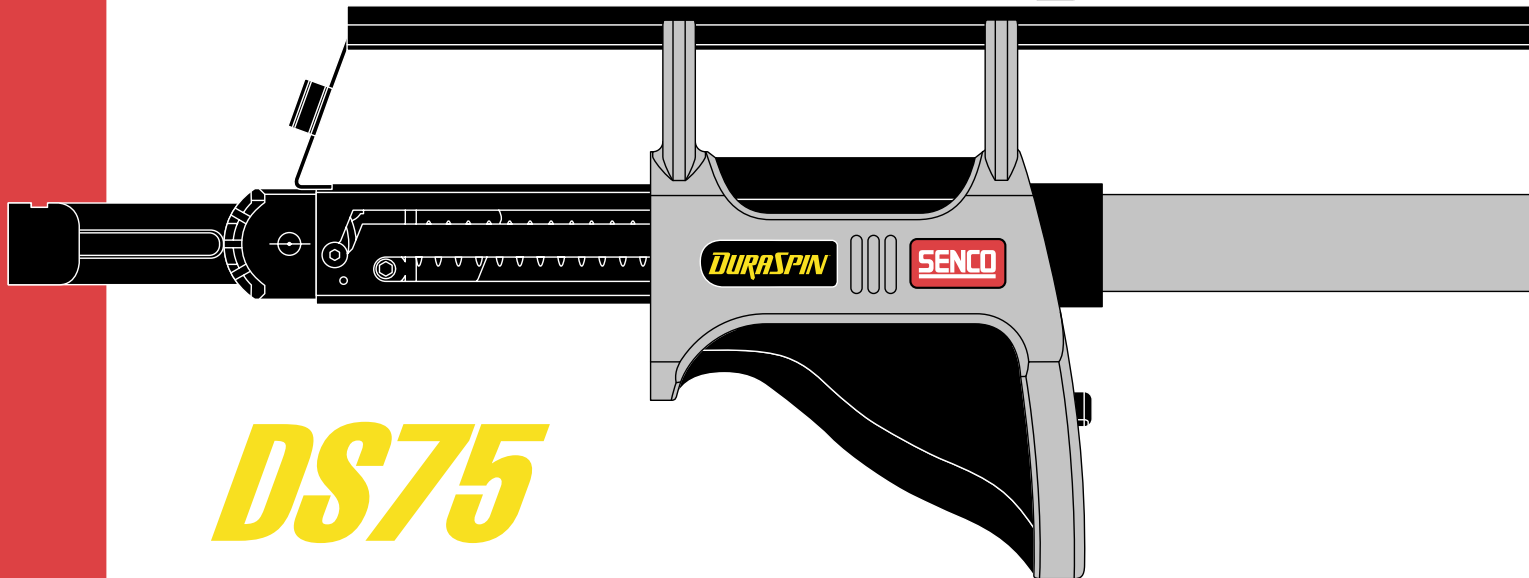
DURASPIN™

Screw Fastening System
Attachment

Parts Reference Guide



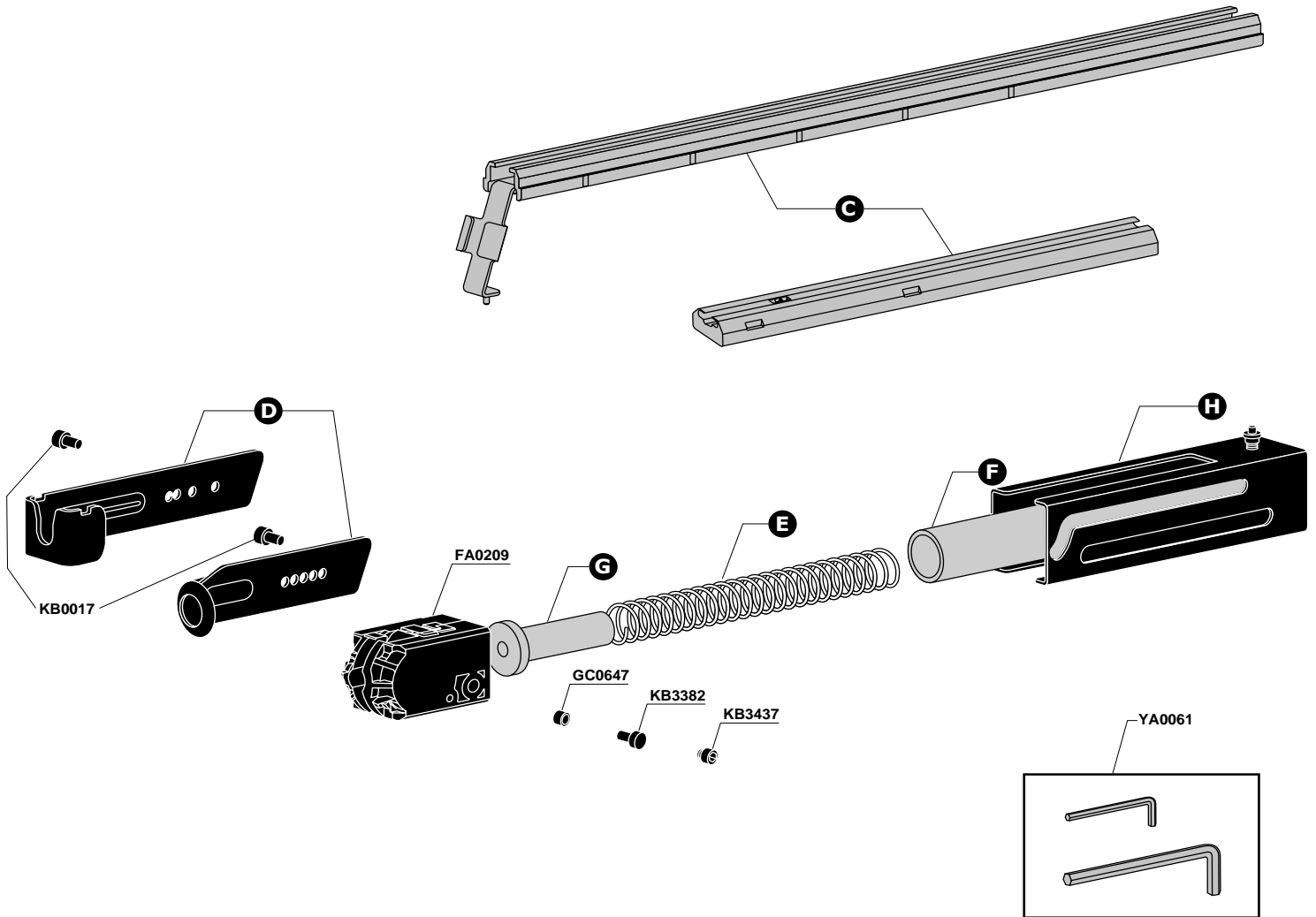
DS50



DS75

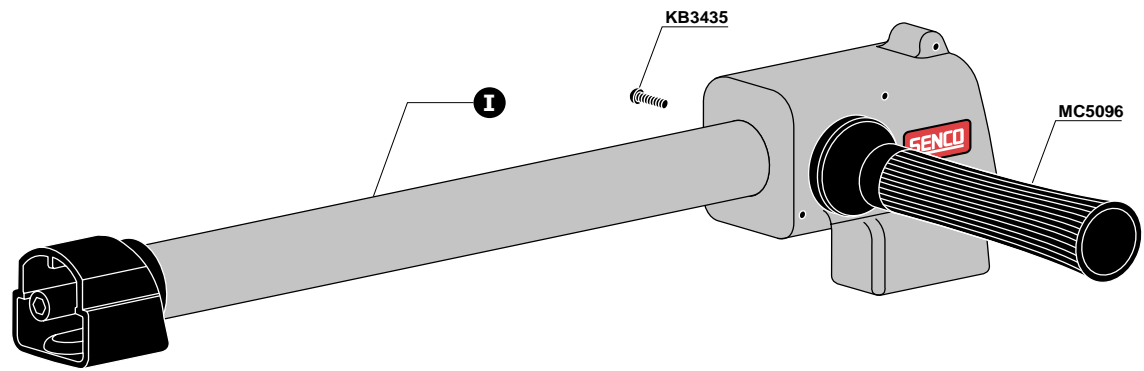
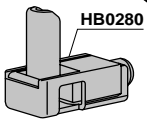
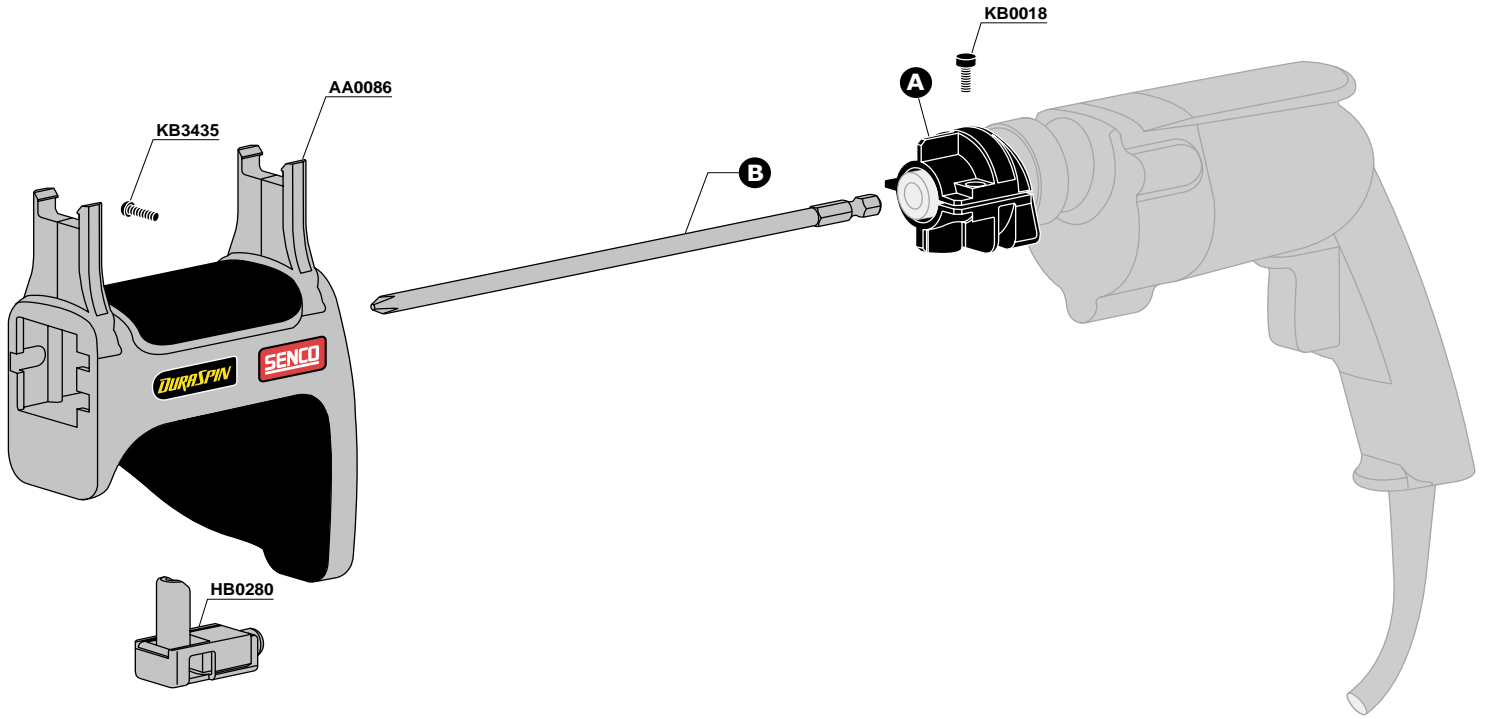
Questions? Comments? e-mail: toolprof@senco.com

Visit our websites: www.duraspin.com
www.senco.com



| Tool # | Model | B | C | D | E | F | G | H | I |
|---------|---------|--------------------|--------|--------|--------|--------|--------|--------|--------|
| 792001N | DS50-D4 | EA0124 PHILLIPS | GB0446 | FA0198 | KB4252 | N/A | N/A | GB0447 | N/A |
| 792002N | DS50-D2 | EA0124 PHILLIPS | GB0470 | FA0198 | KB4252 | N/A | N/A | GB0447 | WB0002 |
| | | EA0125 SQUARE | | FA0211 | | | | | |
| 792021N | DS75-D2 | EA0128 PHILLIPS | GB0443 | FA0210 | KB4294 | GC0740 | GC0739 | GB0448 | WB0002 |
| | | EA0127 SQUARE | | | | | | | |

A
ADAPTOR
MA0007 Dewalt
MA0008 Bosch
MA0009 Milwaukee



DuraSpin™ Attachment DS50-D2 | DS50-D4 | DS75-D2

REPLACEMENT PARTS LIST • LISTA DE PARTES DE REPUESTO • ERSATZTEILE-LISTE • LISTE DE PIÈCES DE RECHANGE

| PART NO. | DESCRIPTION | DESCRIPCIÓN | BESCHREIBUNG | DÉSIGNATION |
|----------|---------------------------|------------------------------------|------------------------------|------------------------------|
| AA0086 | HOUSING | ALOJAMIENTO | GEHÄSE | CORPS |
| EA0124 | SCREW BIT (PHILLIPS NO.2) | BROCA DE TORNILLO | SCHRAUBENDREHERBIT | BROCA A VIS |
| EA0125 | SCREW BIT (SQUARE NO.2) | BROCA DE TORNILLO | SCHRAUBENDREHERBIT | BROCA A VIS |
| EA0127 | SCREW BIT (SQUARE NO.2) | BROCA DE TORNILLO | SCHRAUBENDREHERBIT | BROCA A VIS |
| EA0128 | SCREW BIT (PHILLIPS NO.2) | BROCA DE TORNILLO | SCHRAUBENDREHERBIT | BROCA A VIS |
| FA0198 | NOSE PIECE (US) | PIEZA DE LA BOCA (AMERICANA) | NASENSTÜCK (US) | EMBOUT (US) |
| FA0209 | SLIDE BODY ASSEMBLY | CONJUNTO DE CUERPO DESLIZANTE | BAUGRUPPE GLEITGEH AUSE | ASSEMBLAGE BLOC GLISSIERE |
| FA0210 | NOSE PIECE | PIEZA DE LA BOCA | NASENSTÜCK | EMBOUT |
| FA0211 | NOSE PIECE | PIEZA DE LA BOCA | NASENSTÜCK | EMBOUT |
| GB0443 | RAIL | CARRIL | SCHIENE | RAIL |
| GB0446 | RAIL | CARRIL | SCHIENE | RAIL |
| GB0447 | HOUSING | ALOJAMIENTO | GEHÄSE | CORPS |
| GB0470 | RAIL | CARRIL | SCHIENE | RAIL |
| GC0647 | ROLLER | RODILLO | ROLLE | GALET |
| HB0280 | BIT RELEASE ASSEMBLY | CONJUNTO DE LIBERACION DE LA BROCA | BAUGRUPPE BITLOSEMECHANISMUS | ASSEMBLAGE LIBERATION BROCHE |
| KB0017 | SCREW | TORNILLO | SCHRAUBE | VIS |
| KB0018 | SCREW | TORNILLO | SCHRAUBE | VIS |
| KB3382 | ROLLER SCREW | TORNILLO | SCHRAUBE | VIS |
| KB3435 | SCREW | TORNILLO | SCHRAUBE | VIS |
| KB3437 | SCREW | TORNILLO | SCHRAUBE | VIS |
| KB4252 | RETURN SPRING | MUELLE | FEDER | RESSORT |
| KB4294 | RETURN SPRING | MUELLE | FEDER | RESSORT |
| GC0739 | SPRING POST | CASQUILLO | HÜLSE | DOUILLE |
| GC0740 | HOUSING | ALOJAMIENTO | GEHÄSE | CORPS |
| MA0007 | ADAPTOR (Dewalt) | ADAPTADOR | ADAPTER | ADAPTATEUR |
| MA0008 | ADAPTOR (Bosch) | ADAPTADOR | ADAPTER | ADAPTATEUR |
| MA0009 | ADAPTOR (Milwaukee) | ADAPTADOR | ADAPTER | ADAPTATEUR |
| MC5096 | HANDLE | MANGO | HANDGRIFF | POIGNÉE |
| WB0002 | EXTENSION | POLONGACIÓN | VERLÄNGERERSTÜCK | ÉTENDUE |
| YA0061 | WRENCH KIT | CONJUNTO | EINBAUSATZ | KIT |