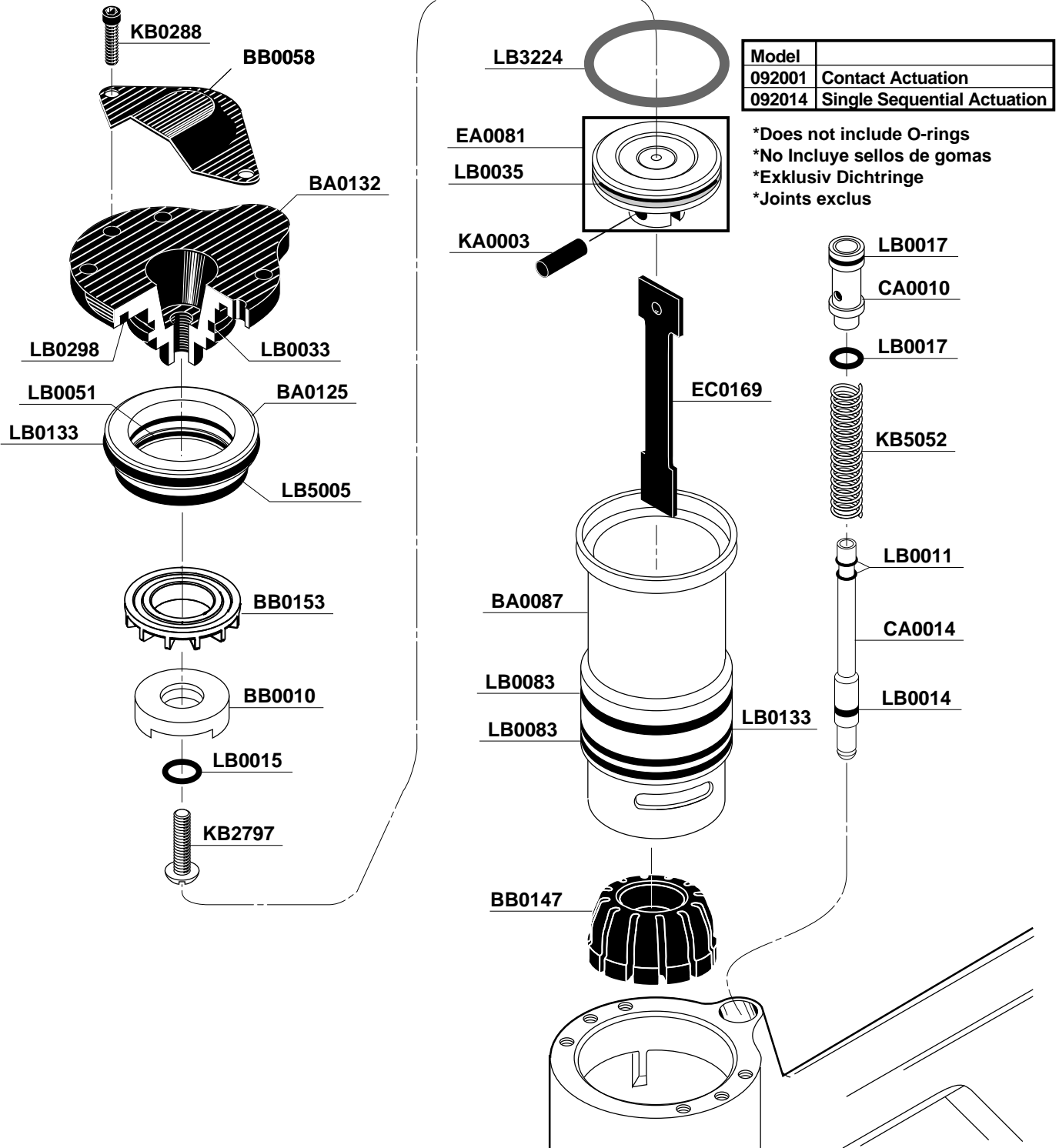
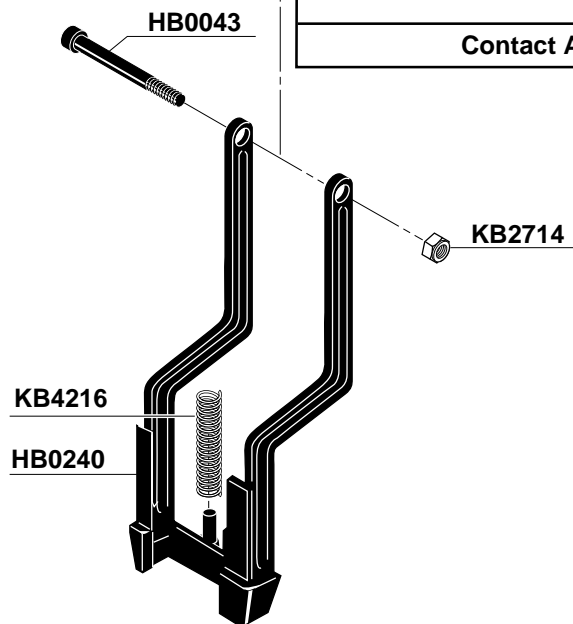
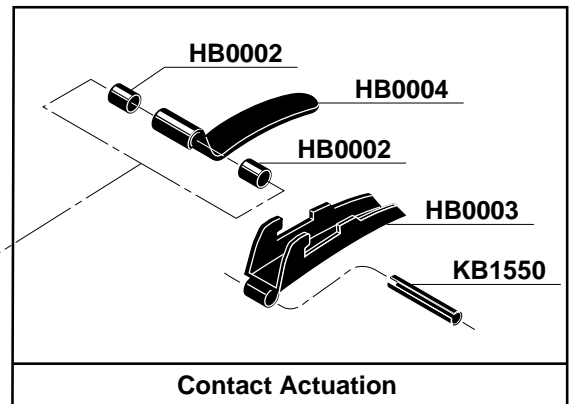
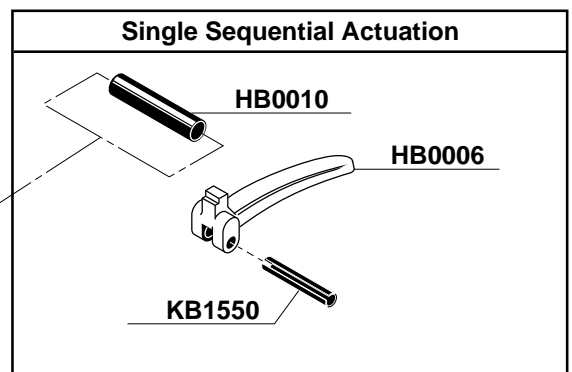
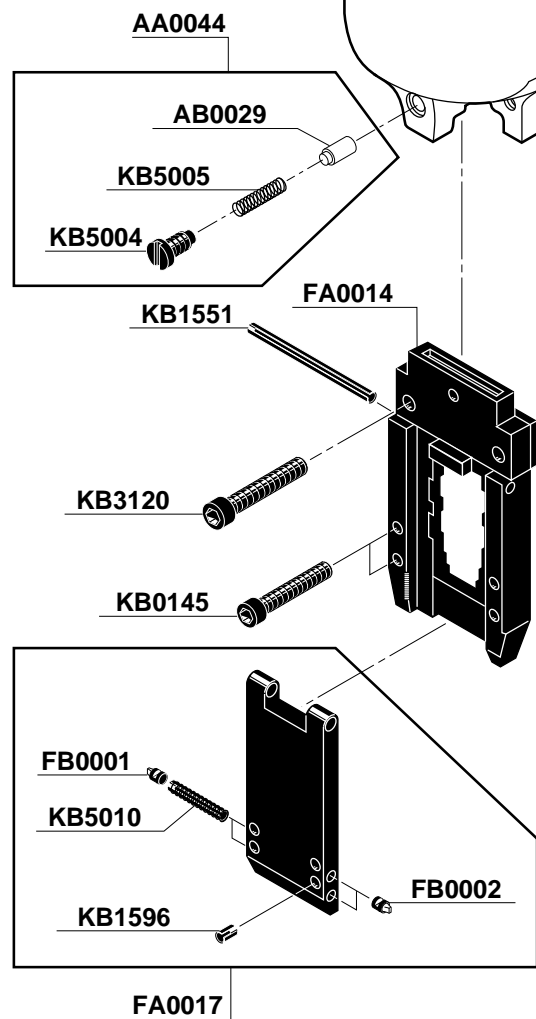
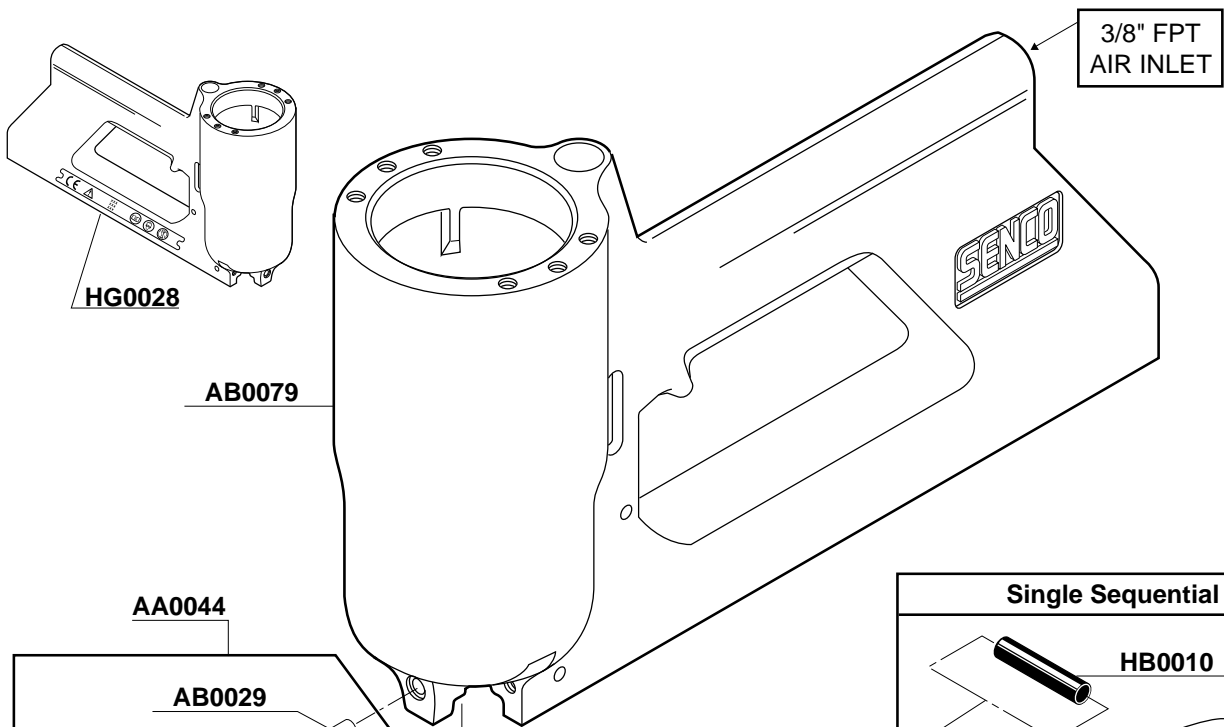
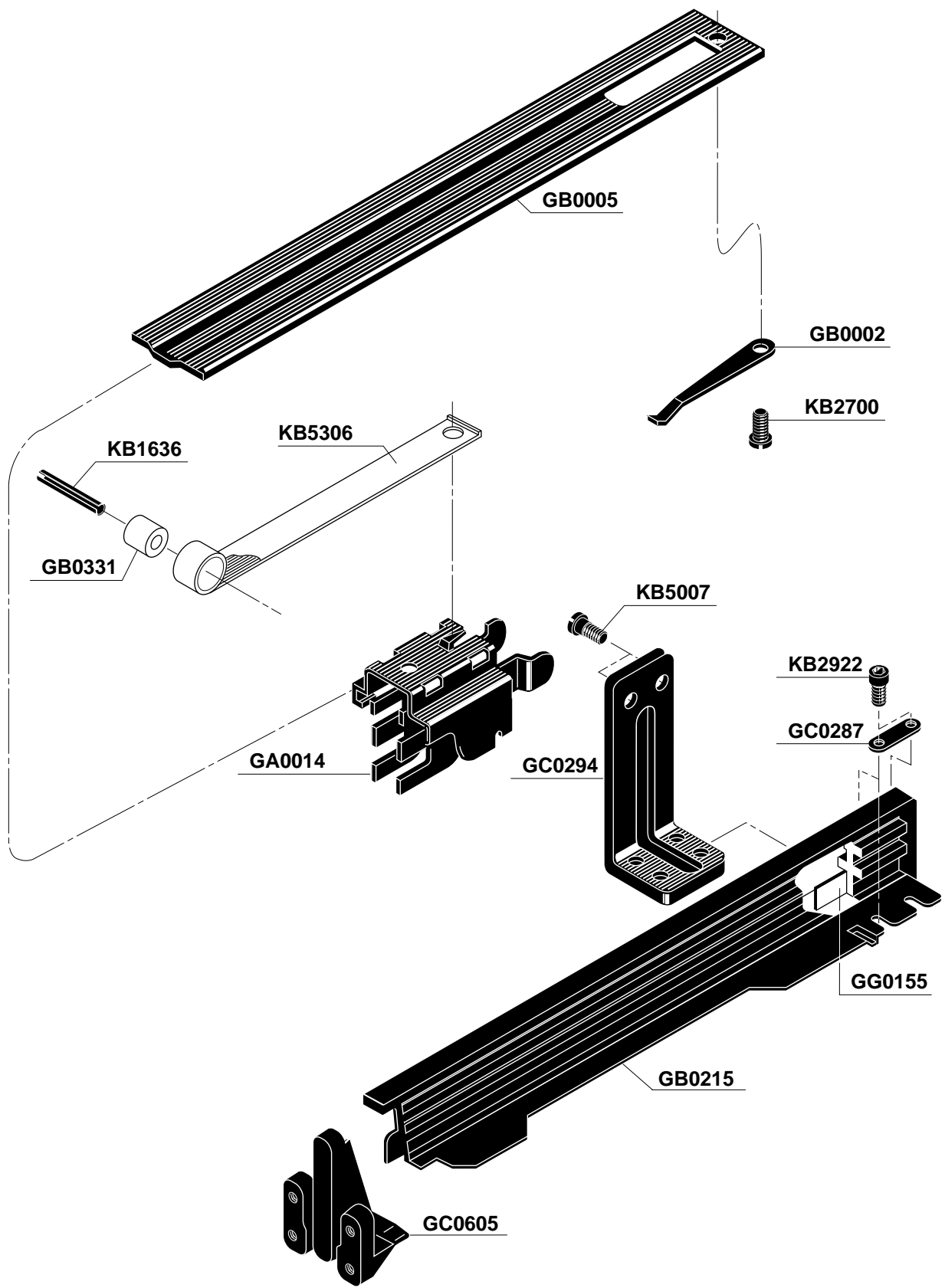
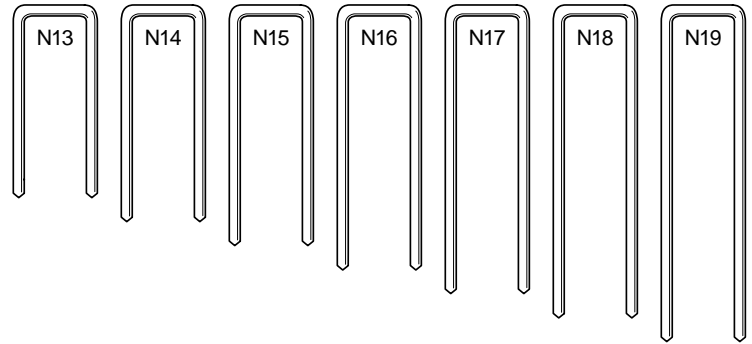
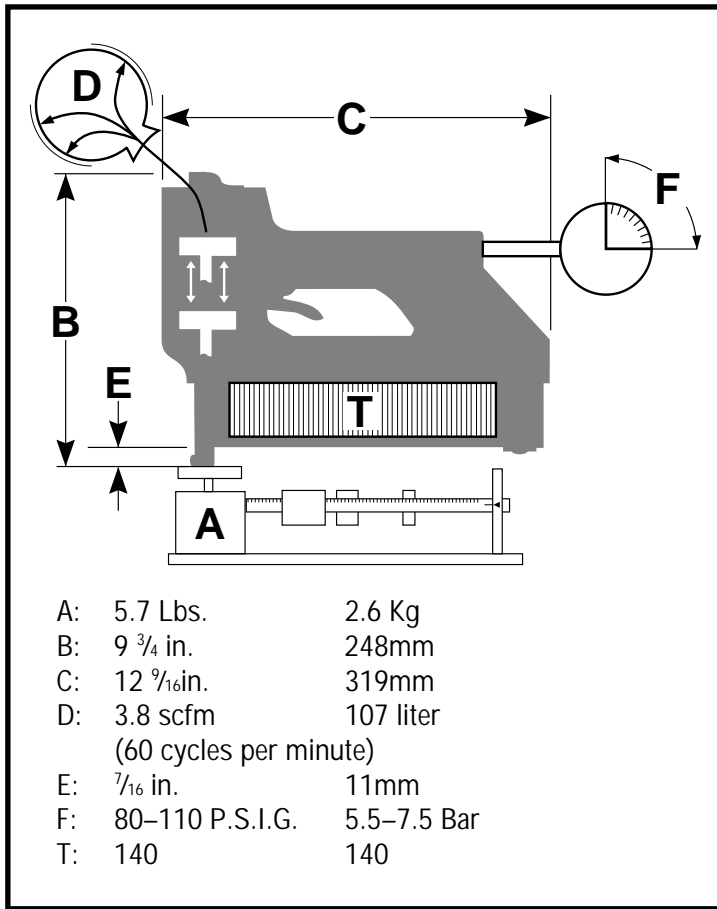


REPLACEMENT PARTS CHART
M1 STAPLER







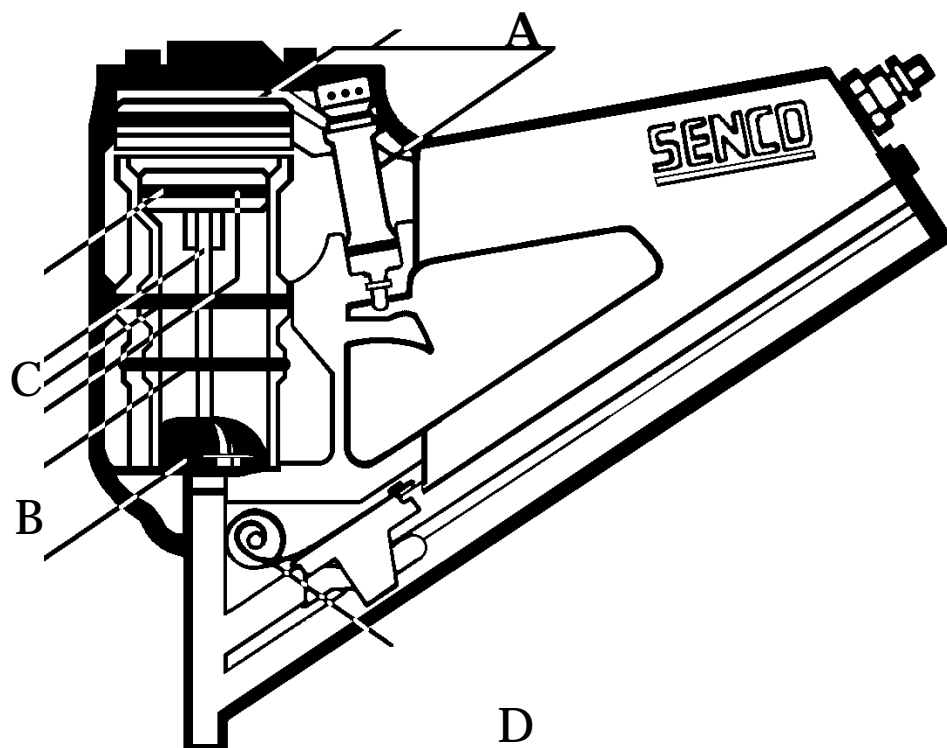


H: 7/16 in. 11mm
 J: .062 in. 1.57mm
 K: .055 in. 1.4mm
 L: 1 in.-1 3/4 in. 25mm-44mm

M1 Stapler Replacement Parts List

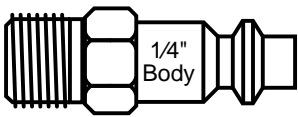
| PART # | DESCRIPTION | PART# | DESCRIPTION | PART# | DESCRIPTION |
|--------|-------------------------|--------|----------------------------|--------|--------------|
| AA0044 | DETENT ASSY. | GC0294 | BRACKET | KB5004 | SCREW |
| AB0006 | MAIN HOUSING (S/M) | GC0605 | MOUNT | KB5005 | SPRING |
| AB0029 | DETENT | GG0155 | MAGAZINE LABEL | KB5007 | SCREW |
| AB0079 | MAIN HOUSING | HB0002 | BUSHING | KB5010 | SPRING |
| BA0087 | CYLINDER SLEEVE ASSY. | HB0003 | TRIGGER | KB5015 | SPRING (S/M) |
| BA0125 | FIRING VALVE ASSY. | HB0004 | TRIGGER SAFETY | KB5052 | SPRING |
| BA0132 | CYLINDER CAP ASSY. | HB0006 | TRIGGER | KB5306 | SPRING |
| BB0010 | SPACER | HB0010 | BUSHING | LB0010 | SEAL (S/M) |
| BB0058 | EXHAUST DEFLECTOR | HB0043 | SAFETY STOP PIN | LB0011 | SEAL |
| BB0147 | BUMPER | HB0240 | SAFETY YOKE | LB0013 | SEAL (S/M) |
| BB0153 | VALVE | HG0028 | LABEL (SAFETY PRECAUTIONS) | LB0014 | SEAL |
| CA0010 | REMOTE VALVE HSG ASSY. | KA0003 | DRIVER PIN ASSY. | LB0015 | SEAL |
| CA0014 | REMOTE VALVE CORE ASSY. | KB0016 | SCREW (18 GA.) | LB0016 | SEAL (S/M) |
| EA0081 | PISTON | KB0145 | SCREW | LB0017 | SEAL |
| EB0011 | DRIVER (1/16" CSK.) | KB0288 | SCREW | LB0018 | SEAL (S/M) |
| EB0012 | DRIVER (1/8" CSK.) | KB1511 | WASHER | LB0033 | SEAL |
| EC0169 | DRIVER (3/16" CSK.) | KB1550 | PIN | LB0035 | SEAL |
| FA0012 | GUIDE BODY ASSY. | KB1551 | PIN | LB0051 | SEAL |
| FA0014 | BACKPLATE | KB1596 | PIN | LB0083 | SEAL |
| FA0017 | GATE ASSY. | KB1636 | PIN | LB0133 | SEAL |
| FA0113 | GATE ASSY. (18 GA.) | KB1727 | RETAINER | LB0274 | SEAL (S/M) |
| FA0114 | GUIDE BODY ASSY. | KB1742 | RETAINER | LB0298 | SEAL |
| FB0001 | RIGHT LATCH PIN | KB2700 | SCREW | LB0756 | SEAL (S/M) |
| FB0002 | LEFT LATCH PIN | KB2714 | NUT | LB0757 | SEAL (S/M) |
| FB0035 | BRACER SPRING | KB2797 | SCREW | LB0758 | SEAL (S/M) |
| GA0014 | FEEDER SHOE | KB2922 | SCREW | LB3224 | SEAL |
| GB0002 | RETAINER | KB3120 | SCREW | LB5005 | SEAL |
| GB0005 | GUIDE TRACK | KB4216 | SPRING | LB5007 | SEAL (S/M) |
| GB0215 | RAIL | KB5003 | SCREW | LB5009 | SEAL (S/M) |
| GB0331 | ROLLER | | | LB5019 | SEAL (S/M) |
| GC0287 | WASHER | | | | |

Parts Kits • Estuches de Partes • Reparatursätze • Kits maintenance



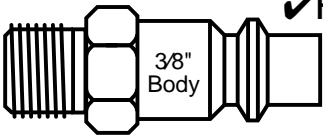
| | | | | |
|-----------------|---|--|--|---|
| Síntoma | Escape de Air (Arriba) Herramienta no mueve Operación Floja | Escape de Air (Abajo) Retorno Flojo | Penetrado Flojo Lanzeta Quebrada | Alimentador podr Entrancado de la Herramienta |
| Symptôme | Fuite à l'échappement Ne fonctionne plus Appareil lent | Fuite à la base du moteur Remontée du couteau lente | Peu de puissance Mauvaise percussion | Enraiments Mauvaise avance des projectiles |
| Symptome | Undichtigkeit oben am Gerät Gerät reagiert nicht | Undichtigkeit unten am Gerät keine oder nur unzureichende Rückführung | Gerät treibt nicht ein Gebrochener Treiber | Befestiger werden nicht nachgeschoben Gerät ist verklemmt |
| Symptom | Air Leak (Top) Tool does nothing Sluggish | Air Leak (Bottom) Poor Return | Weak Drive Broken Driver | Poor Feed Tool Jamming |
| Model | A | B | C | D |
| M1 | YK0005 | YK0006 | YK0008 | YK0012 |

Available Plugs
(Not Included with Tool)



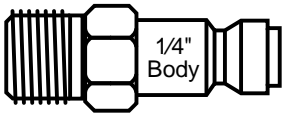
PC0480

Ind. Interchange 3/8" MPT



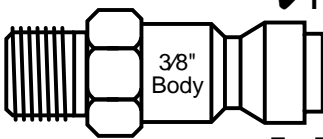
✓PC0485

Ind. Interchange 3/8" MPT



PC0469

Tru-Flate 3/8" MPT



✓PC0475

Tru-Flate 3/8" MPT

✓ Recommended Plugs
Plugs not shown actual size