



FinishPro[®] 18

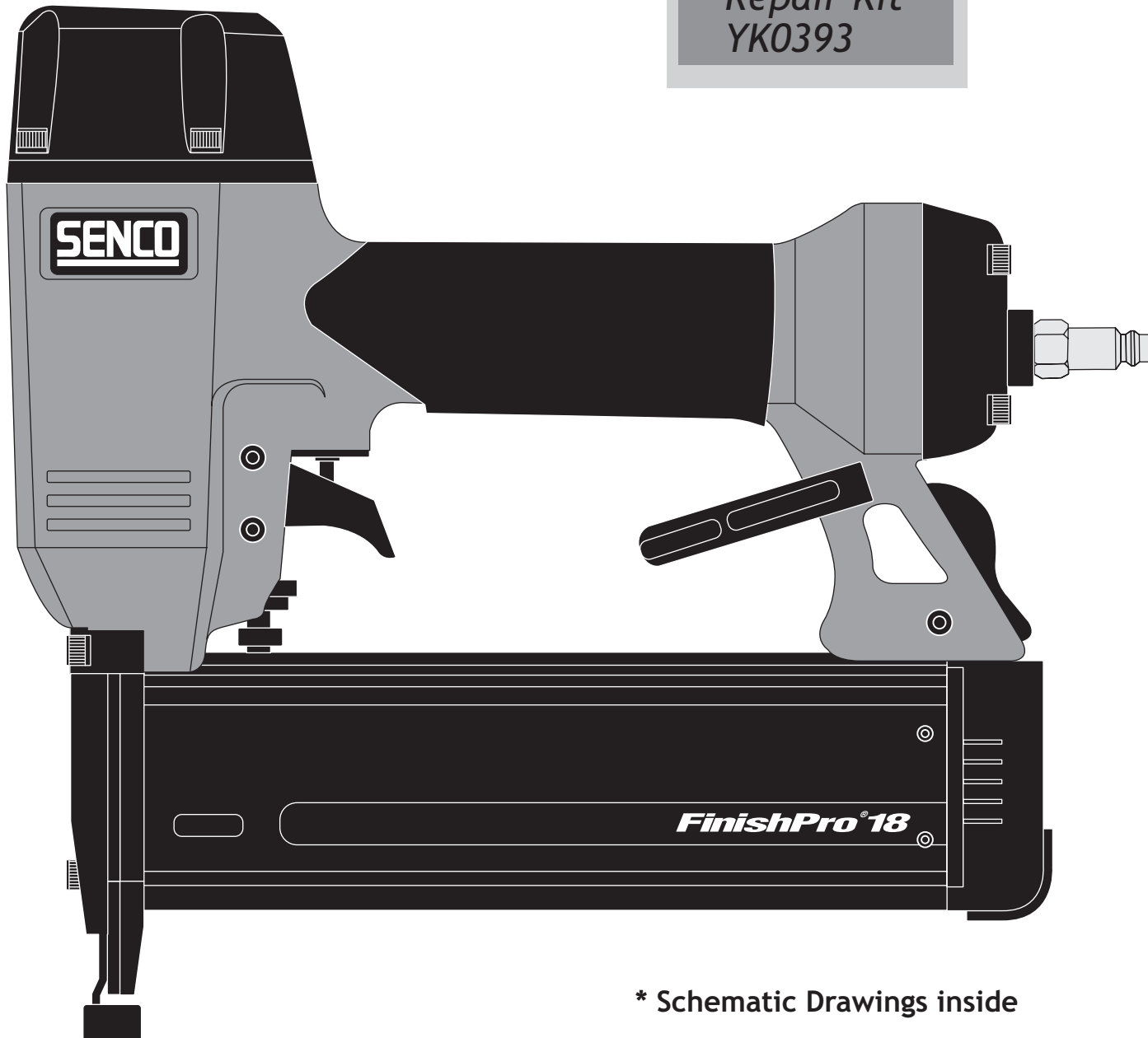
18 ga. Brad Nailer



Parts Reference Guide



Repair Kit
YK0393



* Schematic Drawings inside

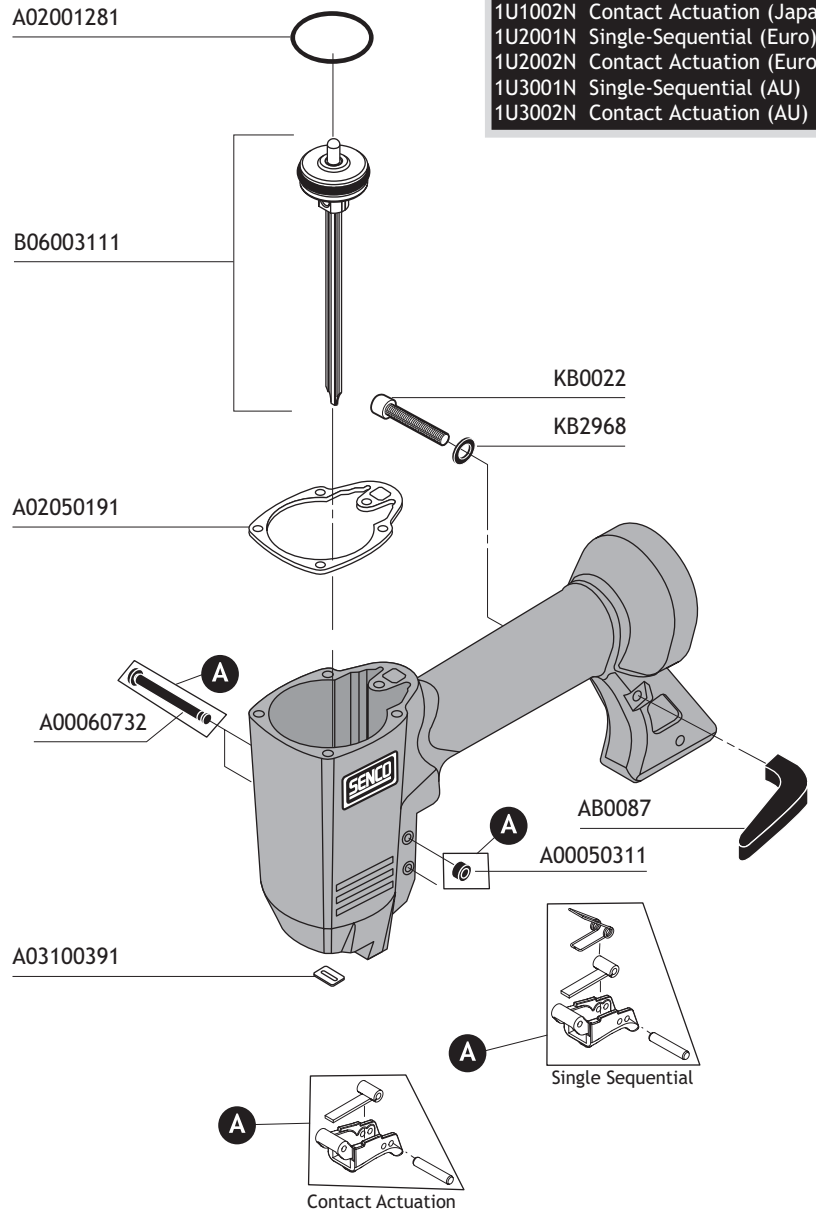
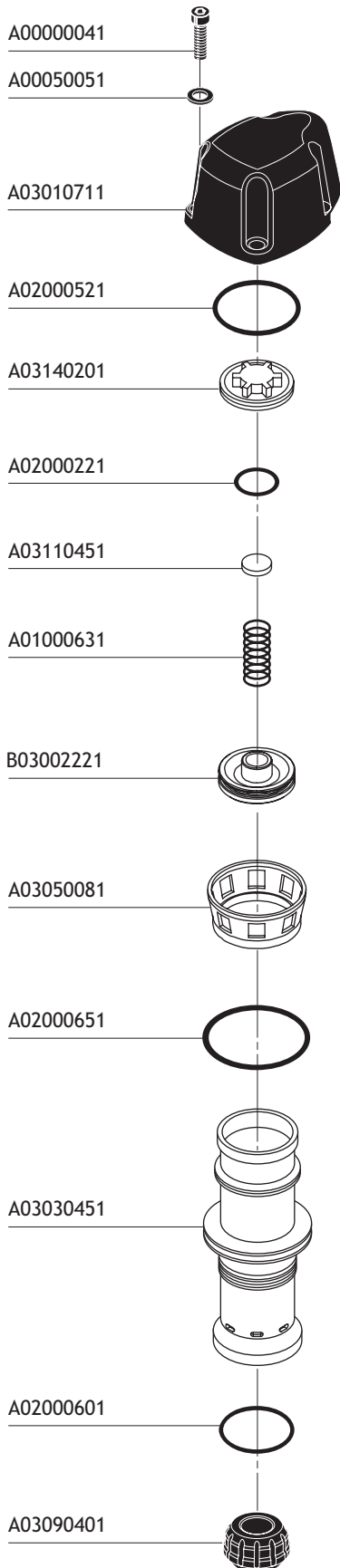
Senco Products Inc.
8485 Broadwell Road
Cincinnati, Ohio 45244

Questions? Comments? call Senco's toll-free Action-line:
1-800-543-4596 (North and South America Only)
or e-mail: toolprof@senco.com

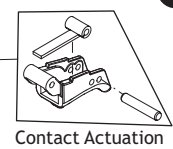
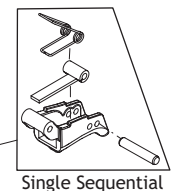
Visit Our Website: www.senco.com



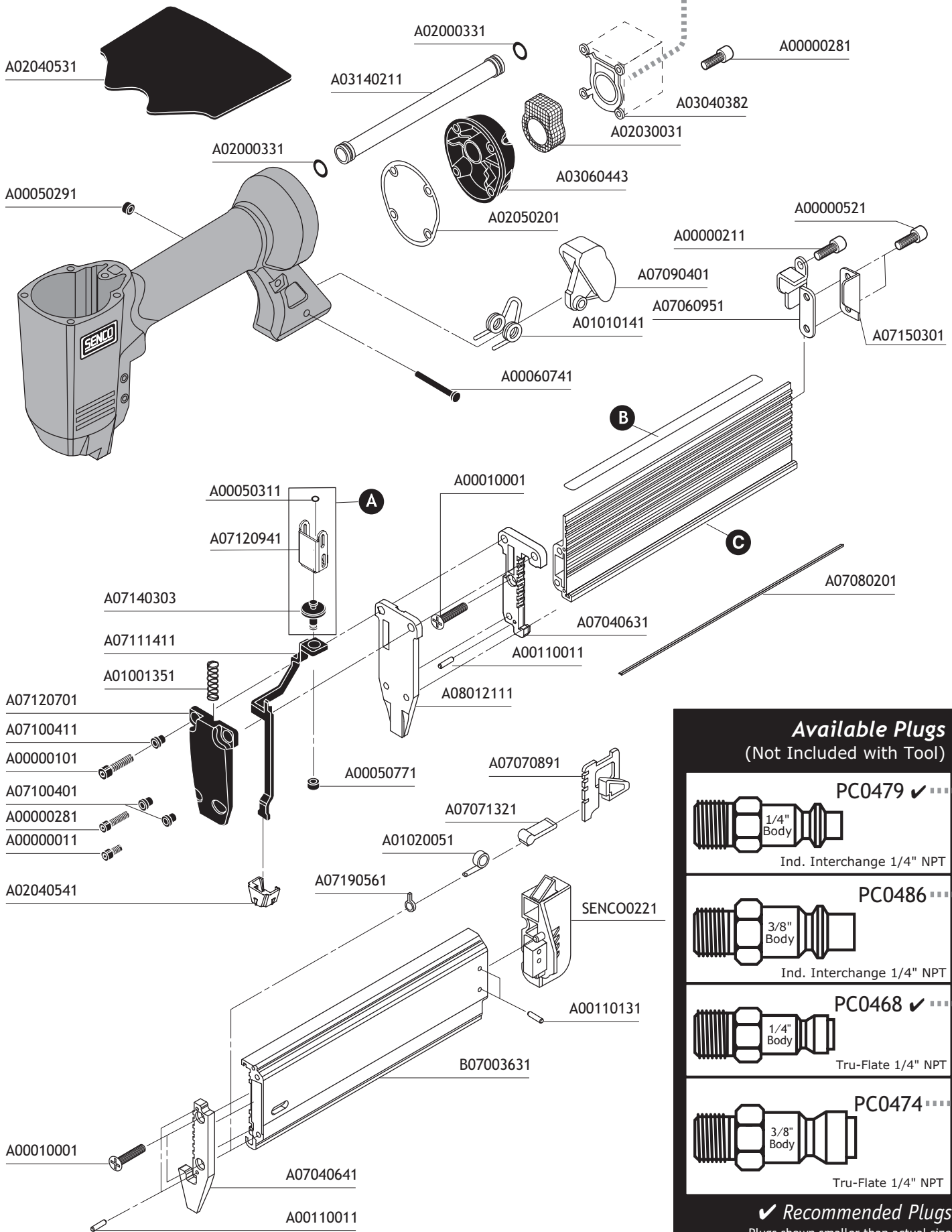
FinishPro® 18



Tool #	Model
1U0001N	Single-Sequential (US)
1U1001N	Single-Sequential (Japan)
1U1002N	Contact Actuation (Japan)
1U2001N	Single-Sequential (Euro)
1U2002N	Contact Actuation (Euro)
1U3001N	Single-Sequential (AU)
1U3002N	Contact Actuation (AU)



Tool #	Model	A	B	C
1U0001N	Single-Sequential (US)	SENCO1101	A09230171	SENCO0281
1U1001N	Single-Sequential (Japan)	SENCO1101	A09230251	SENCO0361
1U1002N	Contact Actuation (Japan)	SENCO1111	A09230251	SENCO0361
1U2001N	Single-Sequential (Euro)	SENCO1101	A09230311	SENCO0321
1U2002N	Contact Actuation (Euro)	SENCO1111	A09230311	SENCO0321
1U3001N	Single-Sequential (AU)	SENCO1101	A09230171	SENCO0281
1U3002N	Contact Actuation (AU)	SENCO1111	A09230171	SENCO0281



NFG01U Revised November 18, 2003 (Replaces 6/7/02) © 2002, 2003 by SENCO Products, Inc. Cincinnati, Ohio 45244-U.S.A.

Available Plugs (Not Included with Tool)

	PC0479 ✓
1/4" Body	
Ind. Interchange 1/4" NPT	
	PC0486
3/8" Body	
Ind. Interchange 1/4" NPT	
	PC0468 ✓
1/4" Body	
Tru-Flate 1/4" NPT	
	PC0474
3/8" Body	
Tru-Flate 1/4" NPT	

✓ **Recommended Plugs**
Plugs shown smaller than actual size

FinishPro® 18 18 ga. Brad Nailer

REPLACEMENT PARTS LIST • LISTA DE PARTES DE REPUESTO • ERSATZTEILE-LISTE • LISTE DE PIÈCES DE RECHANGE

PART NO.	DESCRIPTION	DESCRIPCIÓN	BESCHREIBUNG	DÉSIGNATION
A00000011	SCREW	TORNILLO	SCHRAUBE	VIS
A00000041	SCREW	TORNILLO	SCHRAUBE	VIS
A00000211	SCREW	TORNILLO	SCHRAUBE	VIS
A00000281	SCREW	TORNILLO	SCHRAUBE	VIS
A00000521	SCREW	TORNILLO	SCHRAUBE	VIS
A00010001	SCREW	TORNILLO	SCHRAUBE	VIS
A00050051	WASHER	ARANDELA	SCHEIBE	RONDELLE
A00050291	RETAINER	JUNTA TÓRICA	SICHERUNGSRING	RETENUE
A00050311	RETAINER	JUNTA TÓRICA	SICHERUNGSRING	RETENUE
A00050771	SHAFT RING	ANILLO	REIFEN	ANNEAU
A00060732	PIN	PASADOR	STIFT	GOUPILLE
A00060741	PIN	PASADOR	STIFT	GOUPILLE
A00110131	PIN	PASADOR	STIFT	GOUPILLE
A00110011	PIN	PASADOR	STIFT	GOUPILLE
A01000631	SPRING	RESORTE	FEDER	RESSORT
A01001351	SPRING	RESORTE	FEDER	RESSORT
A01010141	SPRING	RESORTE	FEDER	RESSORT
A01020051	SPRING	RESORTE	FEDER	RESSORT
A02000221	SEAL	SELLO	DICHTUNG	JOINT
A02000521	SEAL	SELLO	DICHTUNG	JOINT
A02000601	SEAL	SELLO	DICHTUNG	JOINT
A02000651	SEAL	SELLO	DICHTUNG	JOINT
A02001281	SEAL	SELLO	DICHTUNG	JOINT
A02030031	MUFFLER	SILENCIADOR	DÄMPFER	SILENCIEUX
A02040531	HANDLE GRIP	AGARRADERO	GRIFF	GAINÉ EN CUIR
A02040541	NO-MAR PAD	AMORTIGUADOR	SCHUTZ	COUSSIN
A02050191	SEAL	SELLO	DICHTUNG	JOINT
A02050201	SEAL	SELLO	DICHTUNG	JOINT
A03010711	CYLINDER CAP	TAPA	KAPPE	BOUCHON
A03030451	CYLINDER	CILINDRO	ZYLINDER	CYLINDRE
A03040382	COVER	CUBIERTA	ABDECKUNG	COUVERCLE
A03050081	RETAINER	JUNTA TÓRICA	SICHERUNGSRING	RETENUE
A03060443	COVER	CUBIERTA	ABDECKUNG	COUVERCLE
A03090401	BUMPER	AMORTIGUADOR	PUFFER	AMORTISSEUR
A03100391	WASHER	ARANDELA	SCHEIBE	RONDELLE
A03110451	SEAL	SELLO	DICHTUNG	JOINT
A03140201	EXHAUST VALVE SITE	ASAMBLE DE VÁLVULA	VENTIL-ZUSAMMENBAU	VALVE D'ASSEMBLÉE
A03140211	TUBE	TUBO	ROHR	TUBE
A07040631	PLATE	PLACA	PLATTE	PLAQUE
A07040641	PLATE	PLACA	PLATTE	PLAQUE
A07060951	MAGAZINE SUPPORT	SOPORTE	HALTERUNG	CAVALIER
A07070891	FEEDER SHOE	ALIMENTADOR	NAGELSCHIEBER	POUSSOIR
A07071321	PLATE	PLACA	PLATTE	PLAQUE
A07080201	WEAR STRIP	CARRIL	SCHIENE	RAIL
A07090401	LATCH	UNETA	VERSCHLUSS	DOIGT DE RETENUE
A07100401	INSERT	ACOPLAMIENTO	EINSATZ	INSERT
A07100411	INSERT	ACOPLAMIENTO	EINSATZ	INSERT
A07111411	SAFETY ELEMENT	ASAMBLE DE SEGURO	SICHERHEITSVORRICHTUNG	PALPEUR DE SÉCURITÉ
A07120701	COVER	CUBIERTA	ABDECKUNG	COUVERCLE
A07120941	PLATE	PLACA	PLATTE	PLAQUE
A07140303	SAFETY ADJUSTMENT WHEEL	MANIVELA	RÄNDELSCHRAUBE	MOLETTE
A07150301	MAGAZINE SUPPORT	SOPORTE	HALTERUNG	CAVALIER
A07190561	RETAINER	JUNTA TÓRICA	SICHERUNGSRING	RETENUE
A08012111	GUIDE	GUÍA	FÜHRUNG	GUIDE
A09230171	LABEL (US)	ETIQUETA	AUFKLEBER	ÉTIQUETTE
A09230251	LABEL (JAPAN)	ETIQUETA	AUFKLEBER	ÉTIQUETTE
A09230311	LABEL (EU)	ETIQUETA	AUFKLEBER	ÉTIQUETTE
AB0087	BELT HOOK	GANCHO DE CINTURÓN	GURTHAKEN	CROCHET DE CEINTURE
KB0022	SCREW	TORNILLO	SCHRAUBE	VIS
KB2968	WASHER	ARANDELA	SCHEIBE	RONDELLE
B03002221	PISTON ASSEMBLY	ASAMBLE DE PISTON	KOLBEN-ZUSAMMENBAU	ENSEMBLE PISTON-COUTEAU
B06003111	PISTON ASSEMBLY	ASAMBLE DE PISTON	KOLBEN-ZUSAMMENBAU	ENSEMBLE PISTON-COUTEAU
B07003631	UPPER MAGAZINE	CARGADOR	MAGAZIN	MAGASIN
SENCO0221	COVER	CUBIERTA	ABDECKUNG	COUVERCLE
SENCO0281	MAGAZINE ASSEMBLY (US)	ASAMBLE DE CARGADOR	MAGAZIN-ZUSAMMENBAU	ENSEMBLE MAGASIN
SENCO0321	MAGAZINE ASSEMBLY (EU)	ASAMBLE DE CARGADOR	MAGAZIN-ZUSAMMENBAU	ENSEMBLE MAGASIN
SENCO0361	MAGAZINE ASSEMBLY (JAPAN)	ASAMBLE DE CARGADOR	MAGAZIN-ZUSAMMENBAU	ENSEMBLE MAGASIN
SENCO1101	TRIGGER ASSY. (Single Sequential)	ASAMBLE DE GATILLO	AUSLÖSER	ENSEMBLE GÂCHETTE
SENCO1111	TRIGGER ASSY. (Contact Actuation)	ASAMBLE DE GATILLO	AUSLÖSER	ENSEMBLE GÂCHETTE