

SENCO®

FinishPro® 2N1

18 ga. Brad Nailer / Finish Stapler

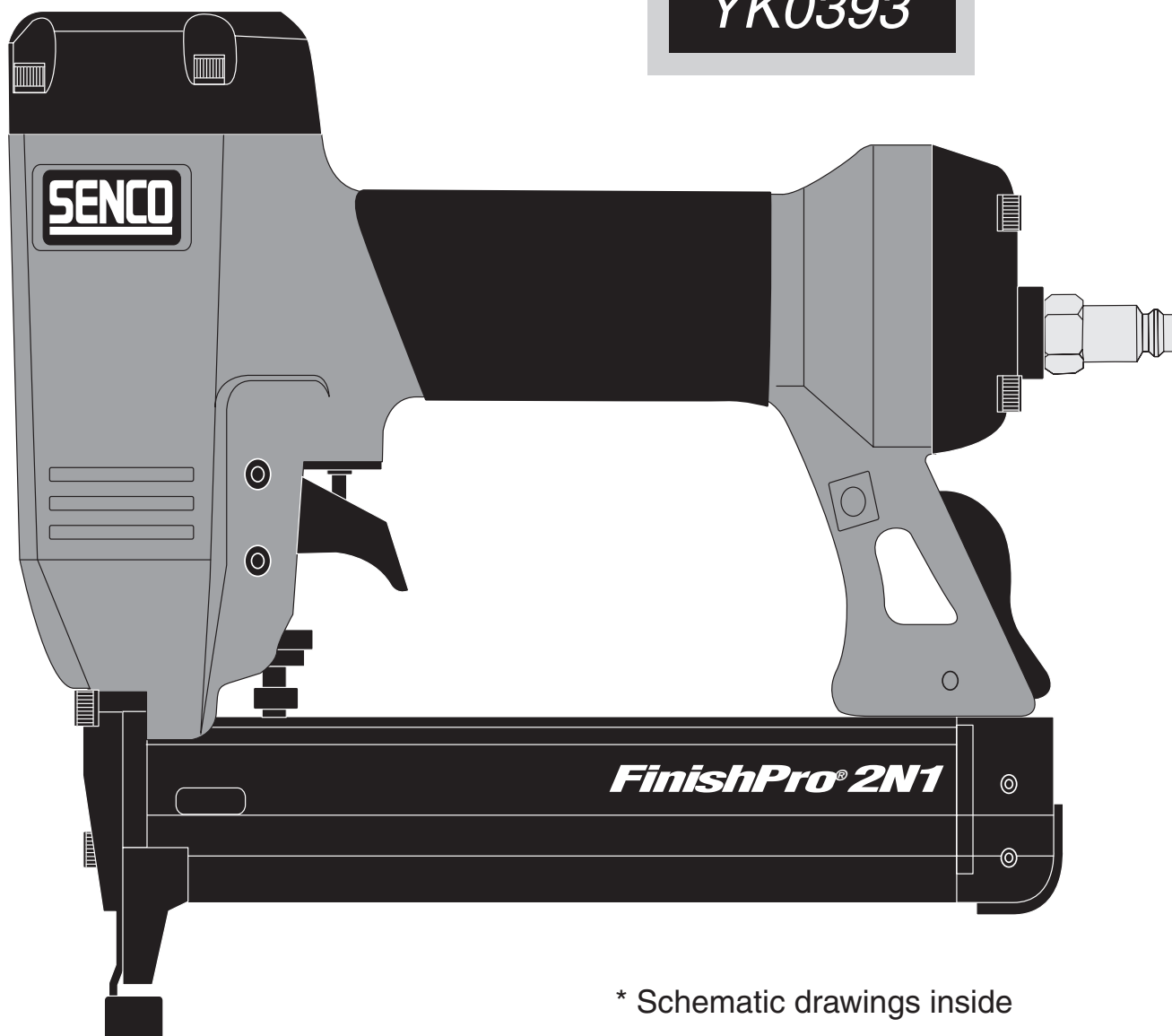


Parts Reference Guide



Repair Kit

YK0393



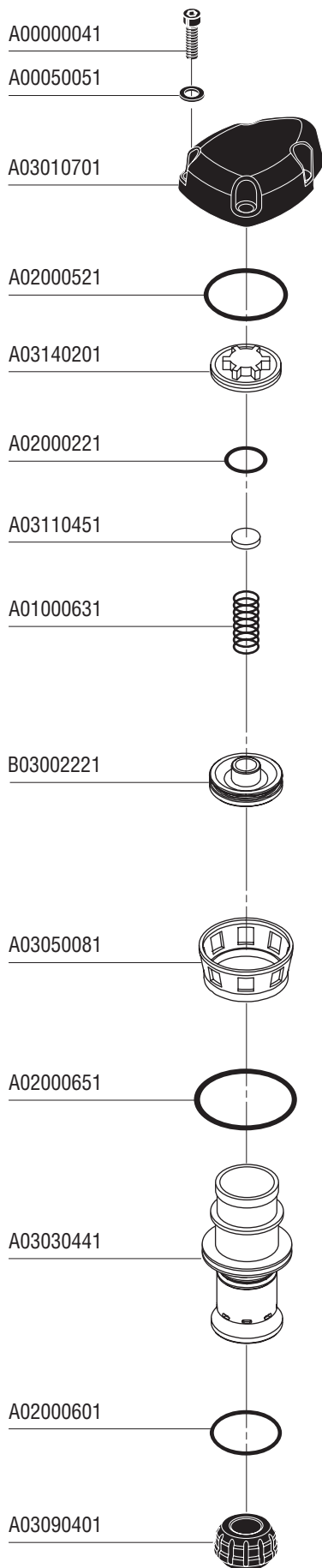
* Schematic drawings inside

Senco Products Inc.
8485 Broadwell Road
Cincinnati, Ohio 45244

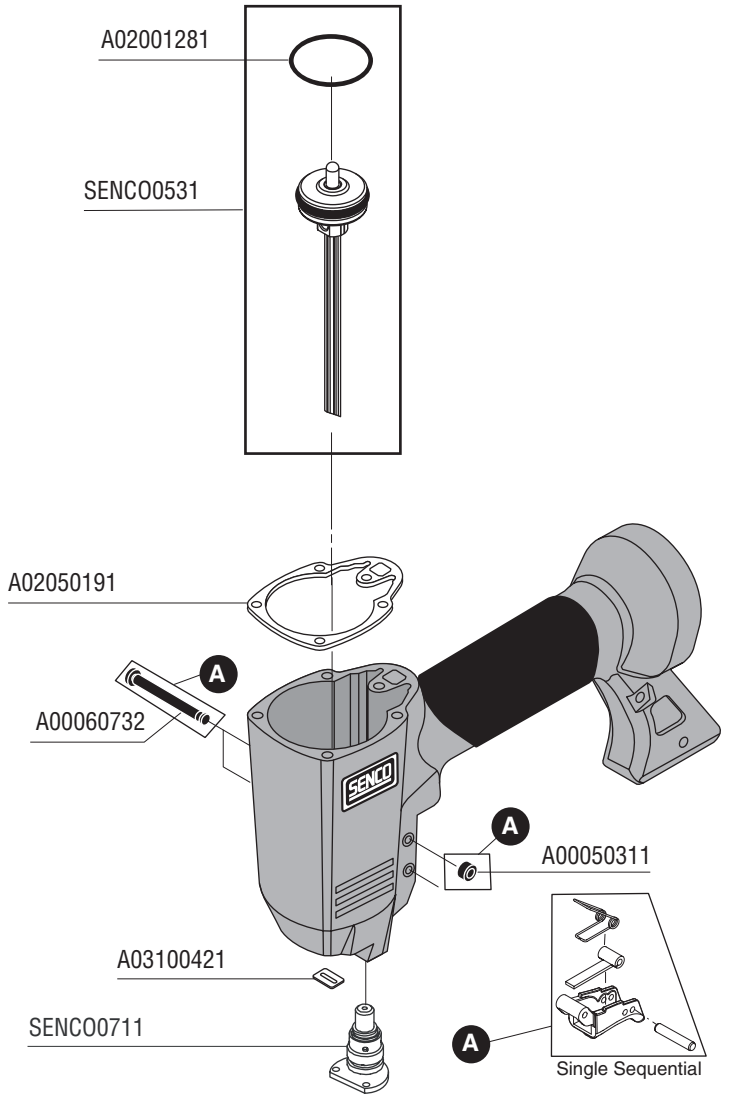
Questions? Comments? call Senco's toll-free Action-line:
1-800-543-4596 (North and South America Only)
or e-mail: toolprof@senco.com

Visit Our Website: www.senco.com

NFG02D Revised January 31, 2006 (Replaces 7/15/04) © 2002, 2006 by Senco Products, Inc. Cincinnati, Ohio 45244 - U.S.A.



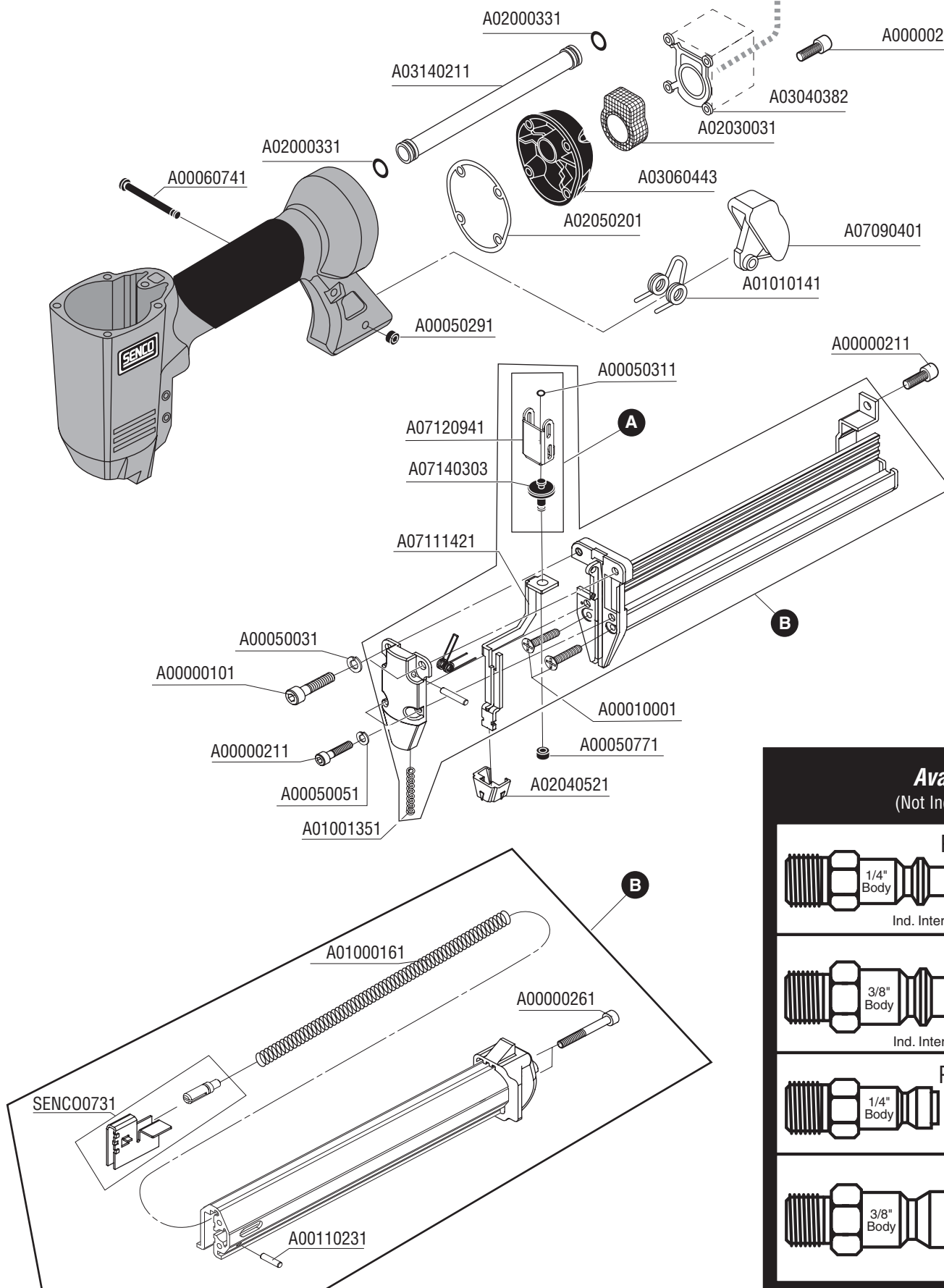
Tool #	Model
2D0001N	Single Sequential
2D2001N	Single Sequential
2D3001N	Single Sequential



Tool #	Model	A	B
2D0001N	Single-Sequential (US)	SENC01101	SENC00451
2D2001N	Single-Sequential (Euro)	SENC01101	SENC00461
2D3001N	Single-Sequential (Au)	SENC01101	SENC00451

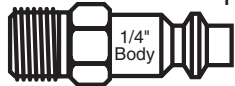
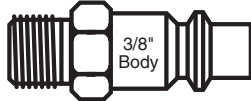


FinishPro® 2N1

SENCO®



NFG02D Revised January 31, 2006 (Replaces 7/15/04) © 2002, 2006 by SENCO Products, Inc. Cincinnati, Ohio 45244 - U.S.A.

Available Plugs (Not Included with Tool)

	PC0479 ✓
Ind. Interchange 1/4" NPT	
	PC0486
Ind. Interchange 1/4" NPT	
	PC0468 ✓
Tru-Flate 1/4" NPT	
	PC0474
Tru-Flate 1/4" NPT	

✓ **Recommended Plugs**
Plugs shown smaller than actual size

FinishPro® 2N1

REPLACEMENT PARTS LIST • LISTA DE PARTES DE REPUESTO • ERSATSTEILE-LISTE • LISTE DE PIÈCES DE RECHANGE

PART NO.	DESCRIPTION	DESCRIPCIÓN	BESCHREIBUNG	DÉSIGNATION
A00000041	SCREW	TORNILLO	SCHRAUBE	VIS
A00000101	SCREW	TORNILLO	SCHRAUBE	VIS
A00000211	SCREW	TORNILLO	SCHRAUBE	VIS
A00000261	SCREW	TORNILLO	SCHRAUBE	VIS
A00000281	SCREW	TORNILLO	SCHRAUBE	VIS
A00010001	SCREW	TORNILLO	SCHRAUBE	VIS
A00050031	WASHER	ARANDELA	SCHEIBE	RONDELLE
A00050051	WASHER	ARANDELA	SCHEIBE	RONDELLE
A00050291	RETAINER	JUNTA TÓRICA	SICHERUNGSRING	RETENUE
A00050311	RETAINER	JUNTA TÓRICA	SICHERUNGSRING	RETENUE
A00050771	SHAFT RING	ANILLO	REIFEN	ANNEAU
A00060732	PIN	PASADOR	STIFT	GOUPILLE
A00060741	PIN	PASADOR	STIFT	GOUPILLE
A00110231	PIN	PASADOR	STIFT	GOUPILLE
A01000161	SPRING	RESORTE	FEDER	RESSORT
A01000631	SPRING	RESORTE	FEDER	RESSORT
A01001351	SPRING	RESORTE	FEDER	RESSORT
A01010141	SPRING	RESORTE	FEDER	RESSORT
A02000221	SEAL	SELLO	DICHTUNG	JOINT
A02000331	SEAL	SELLO	DICHTUNG	JOINT
A02000521	SEAL	SELLO	DICHTUNG	JOINT
A02000601	SEAL	SELLO	DICHTUNG	JOINT
A02000651	SEAL	SELLO	DICHTUNG	JOINT
A02001281	SEAL	SELLO	DICHTUNG	JOINT
A02030031	MUFFLER	SILENCIADOR	DÄMPFER	SILENCIEUX
A02040521	NO-MAR PAD	AMORTIGUADOR	SCHUTZ	COUSSIN
A02050191	SEAL	SELLO	DICHTUNG	JOINT
A02050201	SEAL	SELLO	DICHTUNG	JOINT
A03010701	CYLINDER CAP	TAPA	KAPPE	BOUCHON
A03030441	CYLINDER	CILINDRO	ZYLINDER	CYLINDRE
A03040382	COVER	CUBIERTA	ABDECKUNG	COUVERCLE
A03050081	RETAINER	JUNTA TÓRICA	SICHERUNGSRING	RETENUE
A03060443	COVER	CUBIERTA	ABDECKUNG	COUVERCLE
A03090401	BUMPER	AMORTIGUADOR	PUFFER	AMORTISSEUR
A03100421	WASHER	ARANDELA	SCHEIBE	RONDELLE
A03110451	SEAL	SELLO	DICHTUNG	JOINT
A03140201	EXHAUST VALVE SITE	ASAMBLE DE VÁLVULA	VENTIL-ZUSAMMENBAU	VALVE D'ASSEMBLÉE
A03140211	TUBE	TUBO	ROHR	TUBE
A07090401	LATCH	UNETA	VERSCHLUSS	DOIGT DE RETENUE
A07111421	SAFETY (YOKE) ELEMENT	ASAMBLE DE SEGURO	SICHERHEITSVORRICHTUNG	PALPEUR DE SÉCURITÉ
A07120941	PLATE	PLACA	PLATTE	PLAQUE
A07140303	SAFETY ADJUSTMENT WHEEL	MANIVELA	RANDELSCHRAUBE	MOLETTE
B03002221	FIRING VALVE ASSEMBLY	ASAMBLE DE VÁLVULA	VENTIL-ZUSAMMENBAU	VALVE D'ASSEMBLÉE
SENCO0451	MAGAZINE ASSEMBLY (US)	ASAMBLE DE CARGADOR	MAGAZIN-ZUSAMMENBAU	ENSEMBLE MAGASIN
SENCO0461	MAGAZINE ASSEMBLY (EU)	ASAMBLE DE CARGADOR	MAGAZIN-ZUSAMMENBAU	ENSEMBLE MAGASIN
SENCO0531	PISTON ASSEMBLY	ASAMBLE DE PISTON	KOLBEN-ZUSAMMENBAU	ENSEMBLE PISTON-COUTEAU
SENCO0711	REMOTE VALVE ASSY	ASAMBLE DE VÁLVULA	VENTIL-ZUSAMMENBAU	VALVE D'ASSEMBLÉE
SENCO0731	FEEDER SHOE	ALIMENTADOR	NAGELSCHIEBER	POUSSOIR
SENCO1101	TRIGGER ASSY (Single Sequential)	ASAMBLE DE GATILLO	AUSLÖSER	ENSEMBLE GÂCHETTE