



AirFree[®] 25

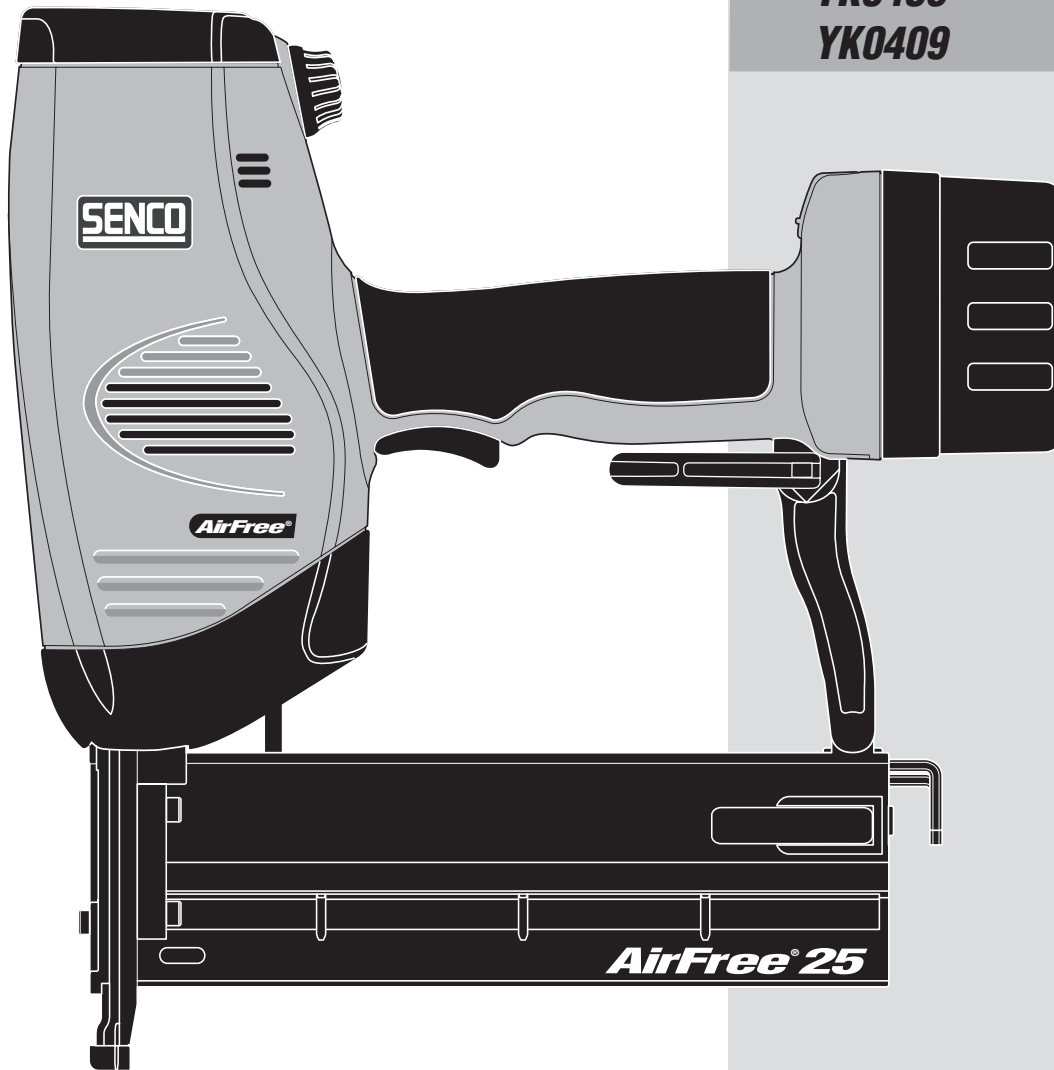
Cordless Brad Nailer



Parts Reference Guide



Repair Kits
YK0408
YK0409



*** Schematic Drawings inside**

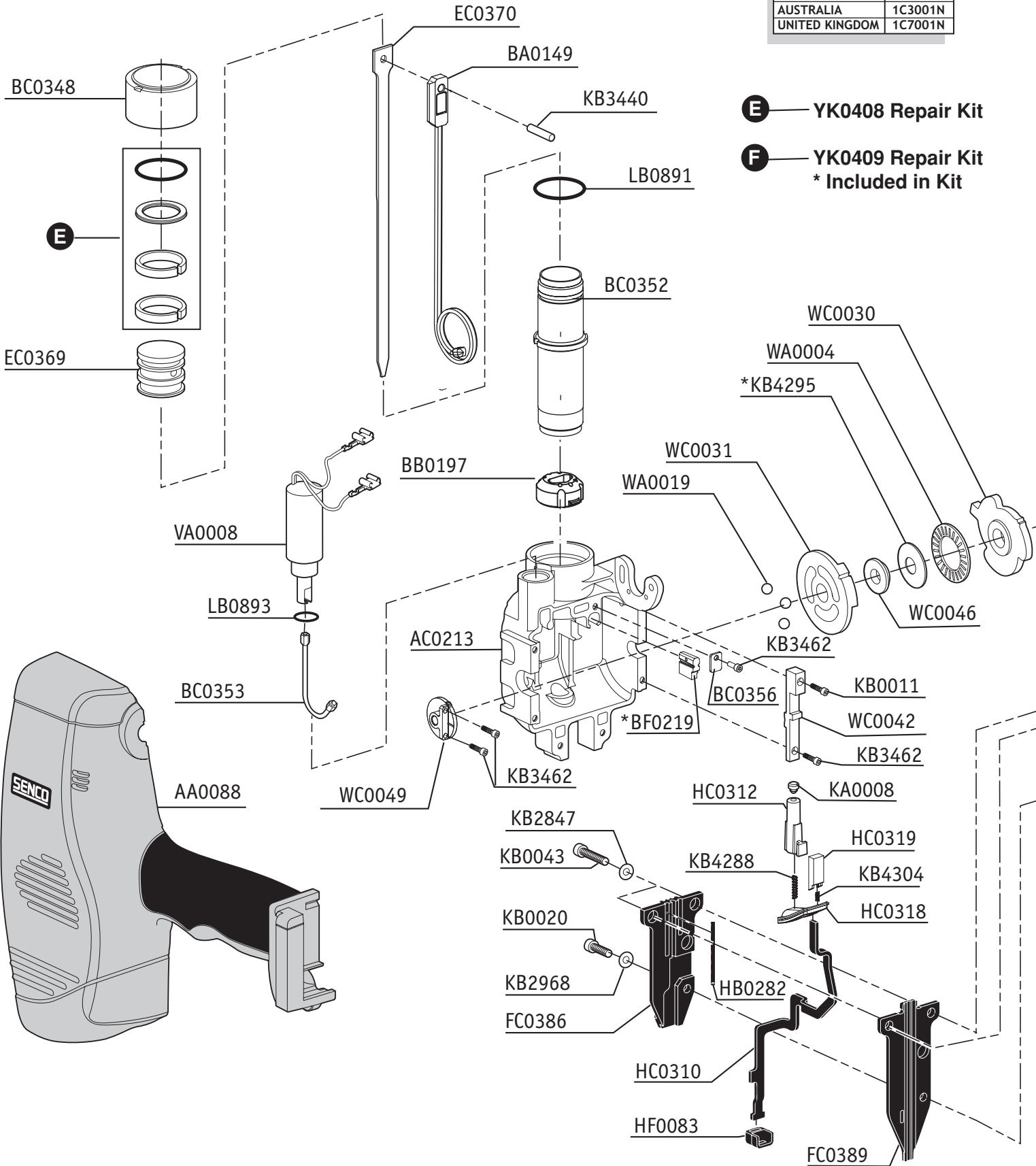
SENCO PRODUCTS, INC.
8485 BROADWELL RD.
CINCINNATI, OH 45244
www.senco.com

Questions? Comments? call SENCO's toll-free Action-line:
1-800-543-4596 (North & South America only)
or e-mail: toolprof@senco.com

AirFree[®] 25

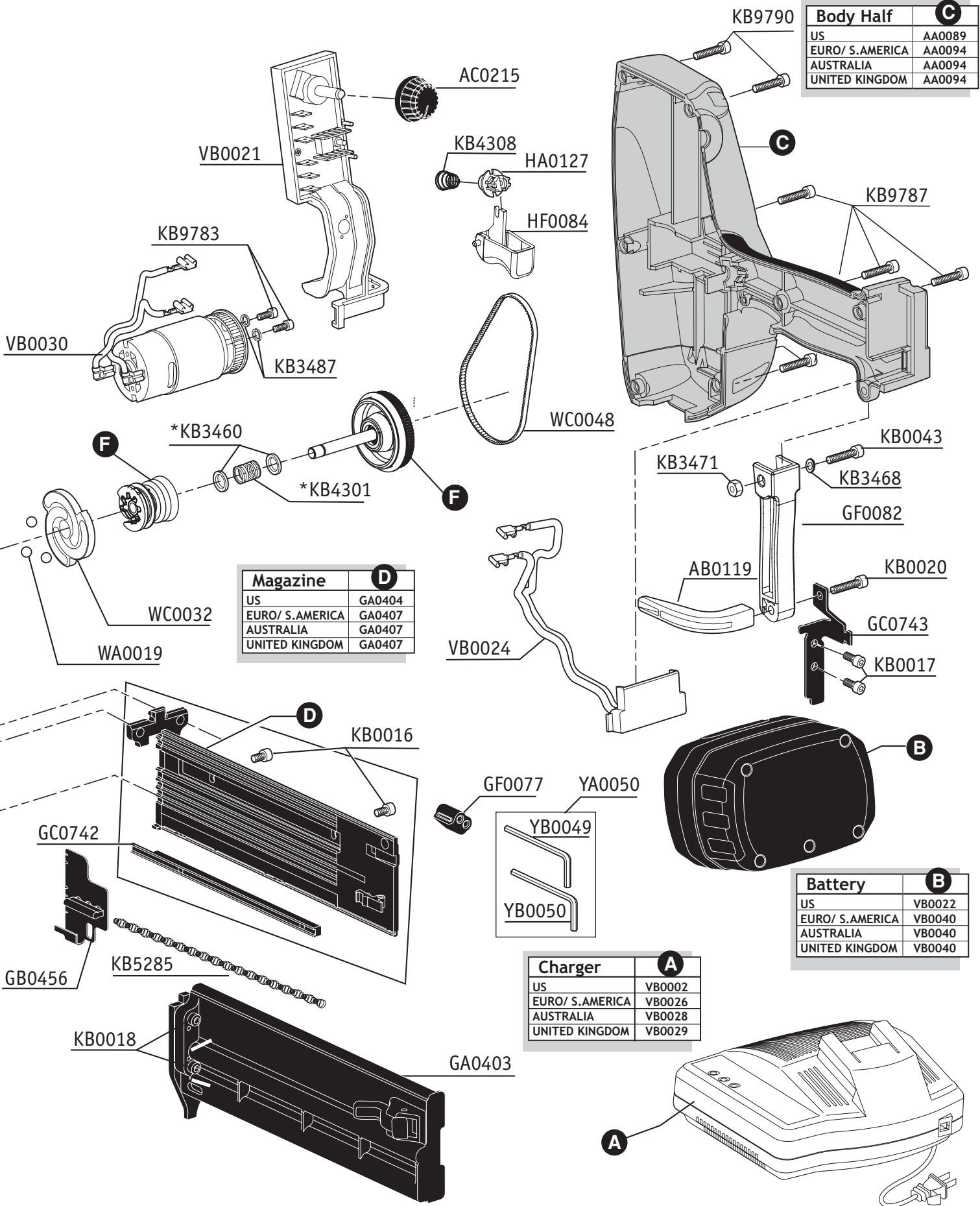
SENCO[®]

	Model
US	1C0001N
EURO/ S.AMERICA	1C2001N
AUSTRALIA	1C3001N
UNITED KINGDOM	1C7001N



E — YK0408 Repair Kit
F — YK0409 Repair Kit
 * Included in Kit

AirFree® 25



Body Half		C
US	AA0089	
EURO/ S.AMERICA	AA0094	
AUSTRALIA	AA0094	
UNITED KINGDOM	AA0094	

Magazine		D
US	GA0404	
EURO/ S.AMERICA	GA0407	
AUSTRALIA	GA0407	
UNITED KINGDOM	GA0407	

Battery		B
US	VB0022	
EURO/ S.AMERICA	VB0040	
AUSTRALIA	VB0040	
UNITED KINGDOM	VB0040	

Charger		A
US	VB0002	
EURO/ S.AMERICA	VB0026	
AUSTRALIA	VB0028	
UNITED KINGDOM	VB0029	

AirFree™ 25 Cordless Brad Nailer

REPLACEMENT PARTSLIST • LISTA DE PARTES DE REPUESTO • ERSATSTEILE-LISTE • LISTE DE PIÈCES DE RECHANGE

PART NO.	DESCRIPTION	DESCRIPCIÓN	BESCHREIBUNG	DÉSIGNATION
AA0088	BODY, LEFT HALF	CARCASA	GEHÄUSE	CORPS
AA0089	BODY, RIGHT HALF (US)	CARCASA	GEHÄUSE	CORPS
AA0094	BODY, RIGHT HALF	CARCASA	GEHÄUSE	CORPS
AB0119	BELT HOOK	GANCHO DE CINTURÓN	GURTHAKEN	CROCHET DE CEINTURE
AC0213	CHASSIS	CHASIS	GEHÄUSE	CHÂSSIS
AC0215	DIAL, SPEED ADJUSTMENT	CUADRANTE DE AJUSTE DE VELOCIDAD	ZIFFERBLATT GESCHWINDINGKEITSEINSTELLUNG	CADRAN, RÉGLAGE DE VITESSE
BA0149	CABLE, PISTON	CABLE	KABEL	CÂBLE
BB0197	STOP, PISTON	TOPE	PUFFER	ARRÊT
BC0348	CAP, SLEEVE	TAPA	KAPPE	BOUCHON
BC0352	SLEEVE, CYLINDER	CILINDRO	ZYLINDER	CYLINDRE
BC0353	CABLE, SOLENOID	CABLE	KABEL	CÂBLE
BC0356	PLATE	PLACA	PLATTE	PLAQUE
BF0219	STOP, DRUM	TOPE	PUFFER	ARRÊT
EC0369	PISTON	PISTON	KOLBEN	PISTON
EC0370	DRIVER	PERCUSOR	TREIBER	COUVEAU
FC0386	COVER	CUBIERTA	ABDECKUNG	COUVERCLE
FC0389	FRONT PLATE	PLACA	PLATTE	PLAQUE
GA0403	RAIL ASSY, MOVEABLE	CARRIL	SCHIENE	RAIL
GA0404	RAIL ASSY, FIXED (US)	CARRIL	SCHIENE	RAIL
GA0407	RAIL ASSY, FIXED (EURO)	CARRIL	SCHIENE	RAIL
GB0456	FEEDER SHOE	ALIMENTADOR	NAGELSCIEBER	POUSSOIR
GC0742	RAIL, MAGAZINE ADJUSTER	CARRIL	SCHIENE	RAIL
GC0743	BRACKET, MOUNTING	SOPORTE	HALTERUNG	CAVALIER
GF0077	HOLDER, WRENCH	SOPORTE	HALTERUNG	CAVALIER
GF0082	BRACKET	SOPORTE	HALTERUNG	CAVALIER
HA0127	SLIDE, TRIGGER	PLACA	PLATTE	PLAQUE
HB0282	SPRING	RESORTE	FEDER	RESSORT
HC0310	SAFETY ELEMENT	ASAMBLE DE SEGURO	SICHERHEITSVORRICHTUNG	PALPEUR DE SÉCURITÉ
HC0312	HOUSING, SAFETY PLUNGER	ALOJAMIENTO	GEHÄUSE	CORPS
HC0318	COVER	CUBIERTA	ABDECKUNG	COUVERCLE
HC0319	RETAINER	JUNTA TÓRICA	SICHERUNGSRING	RETENUE
HF0083	NO-MAR PAD	AMORTIGUADOR	SCHUTZ	COUSSIN
HF0084	TRIGGER	GATILLO	AUSLÖSER	GÂCHETTE
KA0008	BUMPER	AMORTIGUADOR	PUFFER	AMORTISSEUR
KB0011	SCREW	TORNILLO	SCHRAUBE	VIS
KB0016	SCREW	TORNILLO	SCHRAUBE	VIS
KB0017	SCREW	TORNILLO	SCHRAUBE	VIS
KB0018	SCREW	TORNILLO	SCHRAUBE	VIS
KB0020	SCREW	TORNILLO	SCHRAUBE	VIS
KB0043	SCREW	TORNILLO	SCHRAUBE	VIS
KB2847	BUSHING	CASQUILLO	HÜLSE	DOUILLE
KB2968	WASHER, FLAT	ARANDELA	SCHEIBE	RONDELLE
KB3440	PIN, PISTON/DRIVER	PASADOR	STIFT	GOUPILLE
KB3460	WASHER, FLAT	ARANDELA	SCHEIBE	RONDELLE
KB3462	SCREW	TORNILLO	SCHRAUBE	VIS
KB3468	WASHER, FLAT	ARANDELA	SCHEIBE	RONDELLE
KB3471	NUT	TUERCA	MUTTER	ÉCROU
KB3487	WASHER, LOCK	ARANDELA	SCHEIBE	RONDELLE
KB4288	SPRING	RESORTE	FEDER	RESSORT
KB4295	SPRING, BELLEVILLE	RESORTE	FEDER	RESSORT
KB4301	SPRING	RESORTE	FEDER	RESSORT
KB4304	SPRING	RESORTE	FEDER	RESSORT
KB4308	SPRING	RESORTE	FEDER	RESSORT
KB5285	SPRING, FEEDER SHOE	RESORTE	FEDER	RESSORT
KB9783	SCREW	TORNILLO	SCHRAUBE	VIS
KB9787	SCREW	TORNILLO	SCHRAUBE	VIS
KB9790	SCREW	TORNILLO	SCHRAUBE	VIS
LB0891	SEAL	SELLO	DICHTUNG	JOINT
LB0893	SEAL	SELLO	DICHTUNG	JOINT
VA0008	SOLENOID	SOLENOIDE	MAGNETVENTIL	SOLÉNOÏDE
VB0002	CHARGER (US)	CARAGADOR	LADEGERÄT	CHARGEUR
VB0021	HOUSING	ALOJAMIENTO	GEHÄUSE	CORPS
VB0022	BATTERY (US)	BATERIA	BATTERIE	BATTERIE
VB0024	HARNASS, BATTERY WIR	MAZO DE CABLES DE BATERIA	KABELBAUM BATTERIEKABEL	DISTRIBUTION, CÂBLAGE DE BATTERIE
VB0026	CHARGER (EURO/S. AMER.)	CARAGADOR	LADEGERÄT	CHARGEUR
VB0028	CHARGER (AUSTRALIA)	CARAGADOR	LADEGERÄT	CHARGEUR
VB0029	CHARGER (U.K.)	CARAGADOR	LADEGERÄT	CHARGEUR
VB0030	MOTOR, DRIVE	MOTOR IMPULSOR	ANTRIEBSMOTOR	MOTEUR, ENTRA
VB0040	BATTERY (EURO/AUST/UK/SA)	BATERIA	BATTERIE	BATTERIE
WA0004	BEARING, THRUST	CAPA DEL COJINETE	LAGER	COUSSIN
WA0019	BEARING, BALL	CAPA DEL COJINETE	LAGER	COUSSIN
WC0030	PLATE, FIXED	PLACA	PLATTE	PLAQUE
WC0031	PLATE, SOLENOID	PLACA	PLATTE	PLAQUE
WC0032	PLATE, DRUM RAMP	PLACA	PLATTE	PLAQUE
WC0042	RETAINER	JUNTA TÓRICA	SICHERUNGSRING	RETENUE
WC0046	SPACER	SEPARADOR	DISTANZSTÜCK	ENRETOISE
WC0048	BELT DRIVE	CORRERA DE TRANSMISIÓN	ANTREIBSRIEMEN	COURROIE, ENTRAÎNEMENT
WC0049	PLATE, END	PLACA	PLATTE	PLAQUE
YA0050	WRENCH, KIT	HERRAMIENTA	GERÄT	APPAREIL
YB0049	WRENCH, 9/64 HEX	HERRAMIENTA	GERÄT	APPAREIL
YB0050	WRENCH, 5/32 HEX	HERRAMIENTA	GERÄT	APPAREIL