

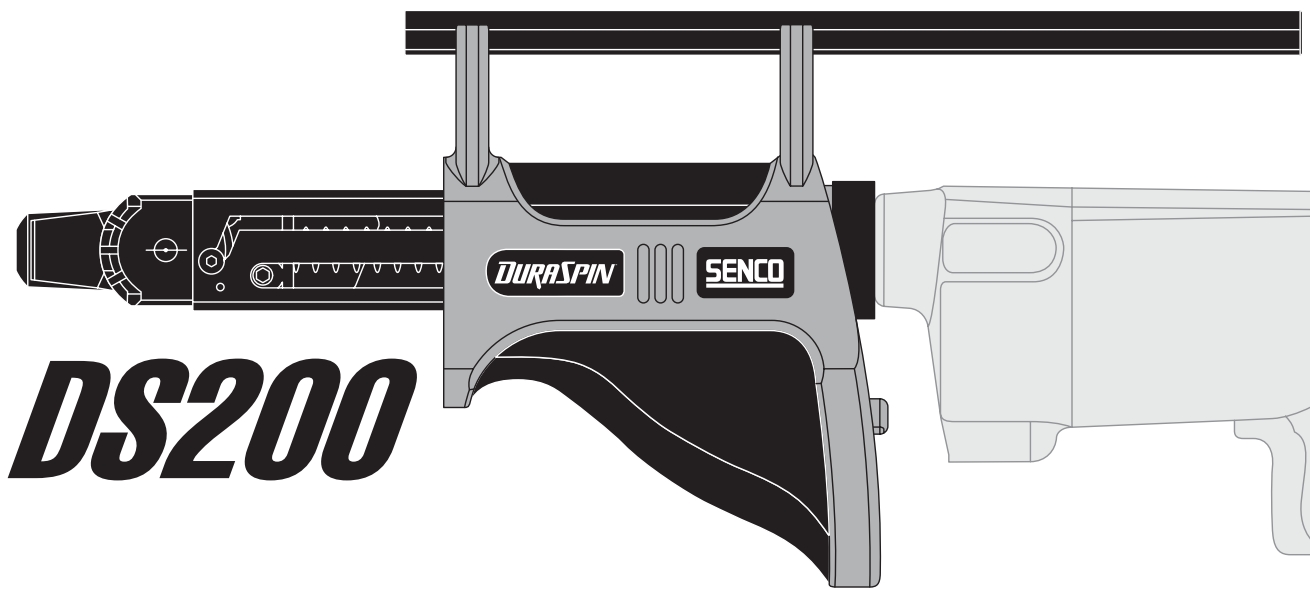


DURASPIN™

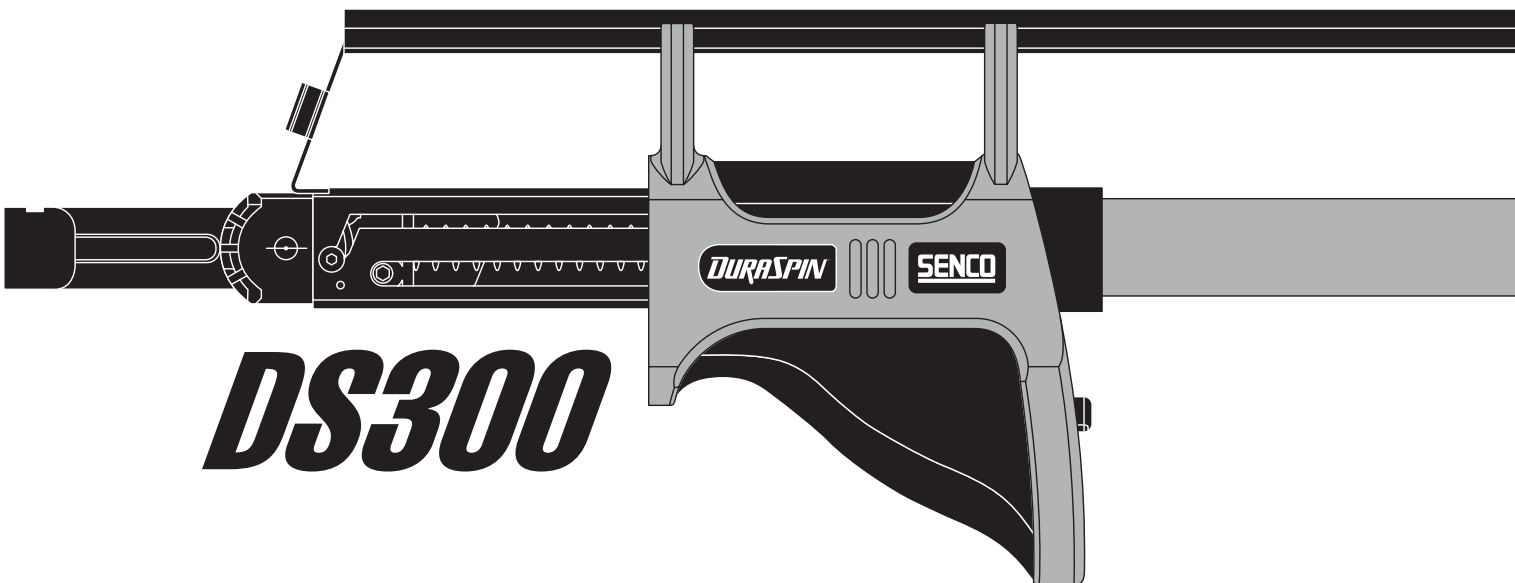
Screw Fastening System
Attachment



Parts Reference Guide



DS200



DS300

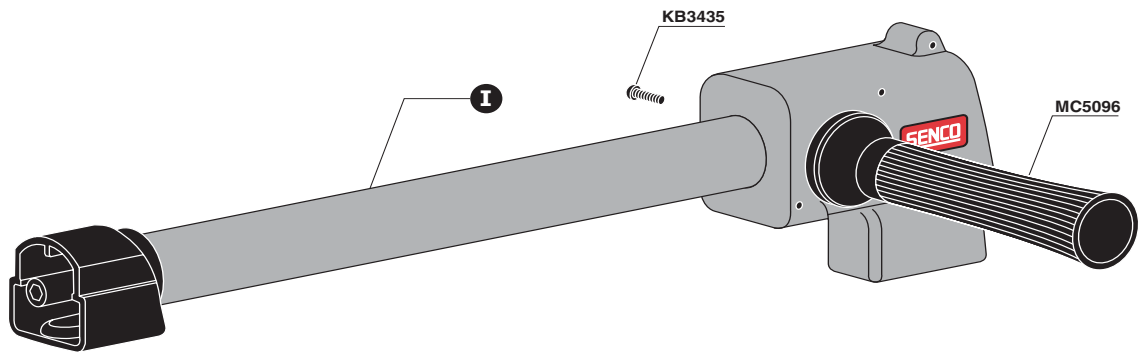
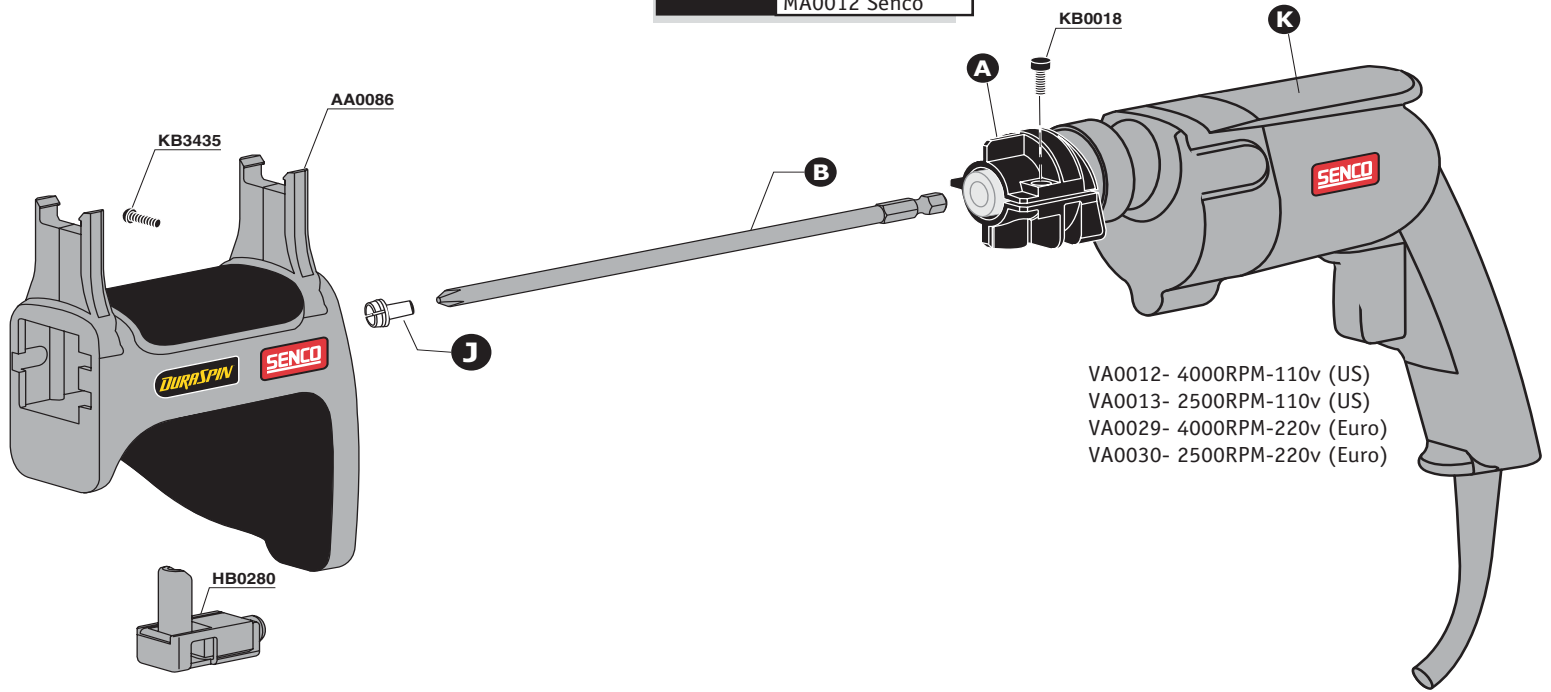
©2000, 2002 by SENCO Products, Inc. Cincinnati, Ohio 45244—U.S.A.

Questions? Comments? call SENCO's toll-free Action-line: 1-800-543-4596
(North America & South America only) or e-mail: toolprof@senco.com

NFG079 Revised April 3, 2002 (Replaces 4/10/01)

Visit our website: www.duraspin.com or www.senco.com

A	MA0007 Dewalt
ADAPTOR	MA0008 Bosch
	MA0009 Milwaukee
	MA0011 Makita
	MA0012 Senco



DuraSpin™ Attachment DS200-S2 | DS200-S4 | DS300-S2

PART NO.	DESCRIPTION	DESCRIPCIÓN	BESCHREIBUNG	DÉSIGNATION
AA0086	HOUSING	ALOJAMIENTO	GEHÄSE	CORPS
EA0124	SCREW BIT (PHILLIPS NO.2)	BROCA DE TORNILLO	SCHRAUBENDREHERBIT	BROCA A VIS
EA0125	SCREW BIT (SQUARE NO.2)	BROCA DE TORNILLO	SCHRAUBENDREHERBIT	BROCA A VIS
EA0127	SCREW BIT (SQUARE NO.2)	BROCA DE TORNILLO	SCHRAUBENDREHERBIT	BROCA A VIS
EA0128	SCREW BIT (PHILLIPS NO.2)	BROCA DE TORNILLO	SCHRAUBENDREHERBIT	BROCA A VIS
FA0198	NOSE PIECE (US)	PIEZA DE LA BOCA (AMERICANA)	NASENSTÜCK (US)	EMBOUT (US)
FA0205	NOSE PIECE (Euro)	PIEZA DE LA BOCA (AMERICANA)	NASENSTÜCK (US)	EMBOUT (US)
FA0209	SLIDE BODY ASSEMBLY	CONJUNTO DE CUERPO DESLIZANTE	BAUGRUPPE GLEITGEH AUSE	ASSEMBLAGE BLOC GLISSIERE
FA0211	NOSE PIECE (US)	PIEZA DE LA BOCA	NASENSTÜCK	EMBOUT
FA0218	NOSE PIECE (Euro)	PIEZA DE LA BOCA (AMERICANA)	NASENSTÜCK (US)	EMBOUT (US)
FA0222	NOSE PIECE	PIEZA DE LA BOCA	NASENSTÜCK	EMBOUT
FA0227	NON-SKID PAD	ANTIDESLIZANTE PISTA	GLEITSICHERE AUFLAGE	ANTIDÉRANPANTE GARNITURE
GB0443	RAIL	CARRIL	SCHIENE	RAIL
GB0446	RAIL	CARRIL	SCHIENE	RAIL
GB0447	HOUSING	ALOJAMIENTO	GEHÄSE	CORPS
GB0448	HOUSING	ALOJAMIENTO	GEHÄSE	CORPS
GB0452	HOUSING (Euro)	ALOJAMIENTO	GEHÄSE	CORPS
GB0470	RAIL	CARRIL	SCHIENE	RAIL
GB0493	RETAINER	JUNTA TÓRICA	SICHERUNGSRING	RETENUE
GC0647	ROLLER	RODILLO	ROLLE	GALET
HB0280	BIT RELEASE ASSEMBLY	CONJUNTO DE LIBERACION DE LA BROCA	BAUGRUPPE BITLOSEMECHANISMUS	ASSEMBLAGE LIBERATION BROCHE
KB0017	SCREW	TORNILLO	SCHRAUBE	VIS
KB0018	SCREW	TORNILLO	SCHRAUBE	VIS
KB3382	ROLLER SCREW	TORNILLO	SCHRAUBE	VIS
KB3435	SCREW	TORNILLO	SCHRAUBE	VIS
KB3437	SCREW	TORNILLO	SCHRAUBE	VIS
KB4252	RETURN SPRING	MUELLE	FEDER	RESSORT
KB4294	RETURN SPRING	MUELLE	FEDER	RESSORT
GC0739	SPRING POST	CASQUILLO	HÜLSE	DOUILLE
GC0740	HOUSING	ALOJAMIENTO	GEHÄSE	CORPS
MA0007	ADAPTOR(Dewalt)	ADAPTADOR	ADAPTER	ADAPTATEUR
MA0008	ADAPTOR(Bosch)	ADAPTADOR	ADAPTER	ADAPTATEUR
MA0009	ADAPTOR(Milwaukee)	ADAPTADOR	ADAPTER	ADAPTATEUR
MA0011	ADAPTOR(Makita)	ADAPTADOR	ADAPTER	ADAPTATEUR
MA0012	ADAPTOR(SENCO)	ADAPTADOR	ADAPTER	ADAPTATEUR
MC5096	HANDLE	MANGO	HANDGRIFF	POIGNÉE
VA0012	4000 RPM SCREW DRIVER(US)	REVÓLVER ATORNILLADOR	ELEKTROMOTOR SCHRAUBENZIEHER	TOURNEVIS ÉLECTRIQUE
VA0013	2500 RPM SCREW DRIVER(US)	REVÓLVER ATORNILLADOR	ELEKTROMOTOR SCHRAUBENZIEHER	TOURNEVIS ÉLECTRIQUE
VA0029	4000 RPM SCREW DRIVER(EURO)	REVÓLVER ATORNILLADOR	ELEKTROMOTOR SCHRAUBENZIEHER	TOURNEVIS ÉLECTRIQUE
VA0030	2500 RPM SCREW DRIVER(EURO)	REVÓLVER ATORNILLADOR	ELEKTROMOTOR SCHRAUBENZIEHER	TOURNEVIS ÉLECTRIQUE
WB0002	EXTENSION	POLONGACIÓN	VERLÄNGERERSTÜCK	ÉTENDUE
YA0061	WRENCH KIT	CONJUNTO	EINBAUSATZ	KIT