

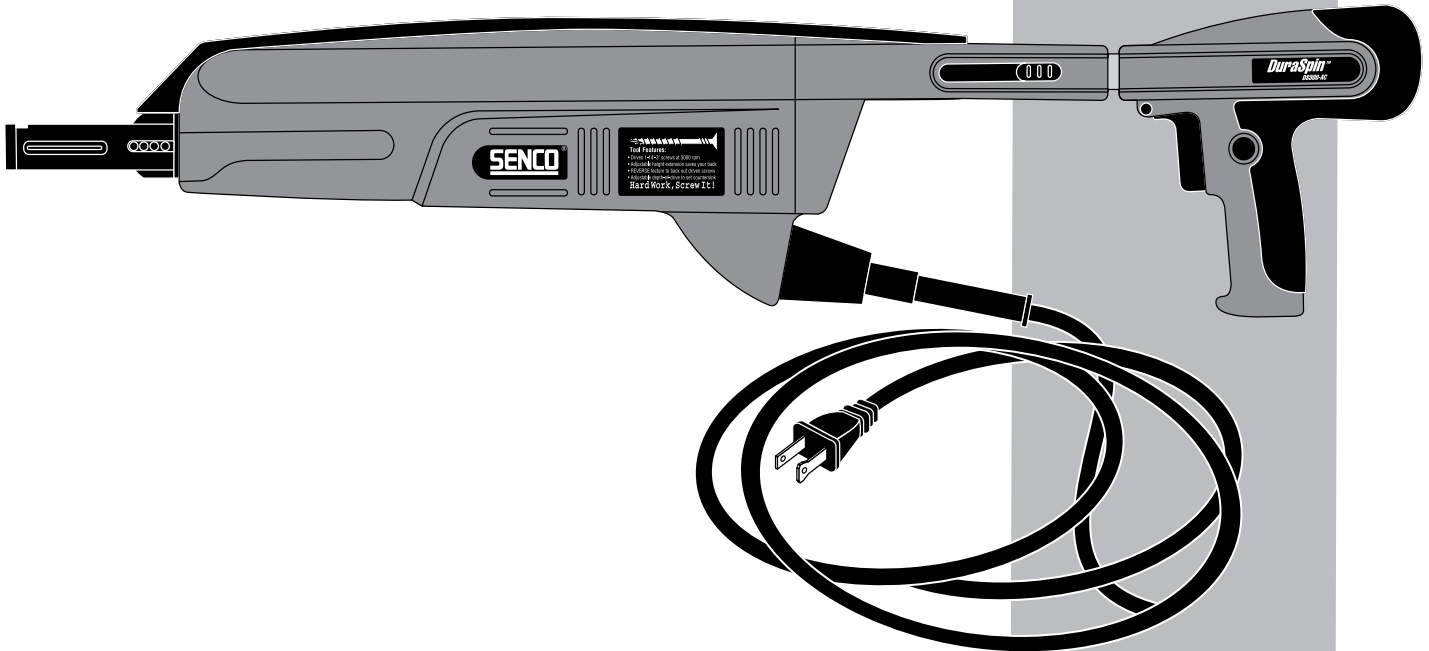


DuraSpin®

Screw Fastening System



Parts Reference Guide



* Schematic Drawings inside

DS300-AC

Senco Brands Inc.
4270 Ivy Pointe Blvd.
Cincinnati, Ohio 45245
Visit Our Website: www.senco.com
EU Website: www.verpa-senco.com

Questions? Comments? call SENCO's toll-free Action-line:
1-800-543-4596 (North and South America Only)
or e-mail: toolprof@senco.com

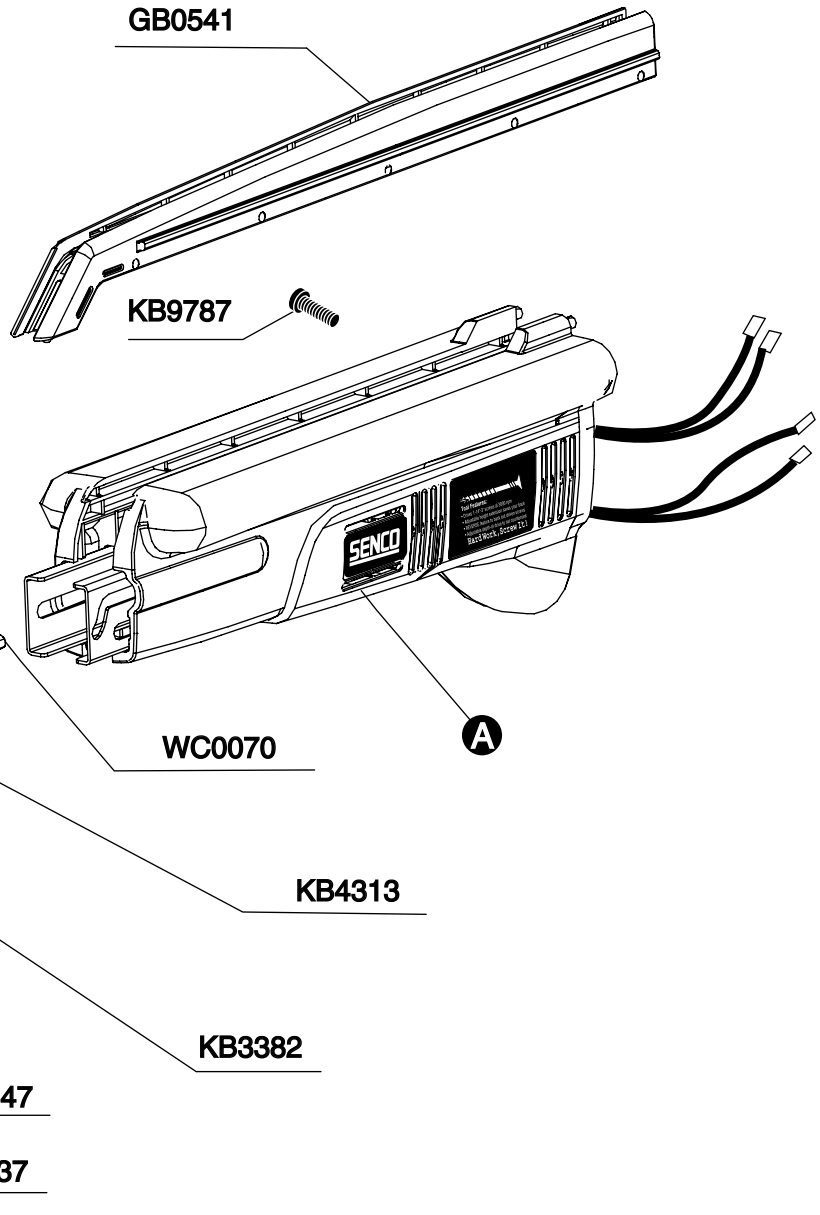
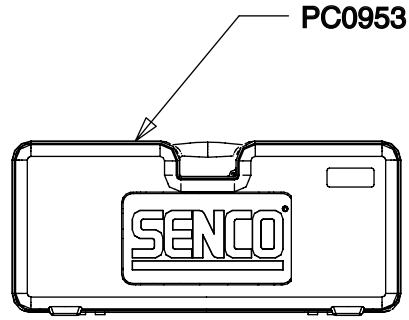
NFG01P Revised May 28, 2010 (Replaces 7/8/03) © 2010 by SENCO Brands, Inc. Cincinnati, Ohio 45245—U.S.A.

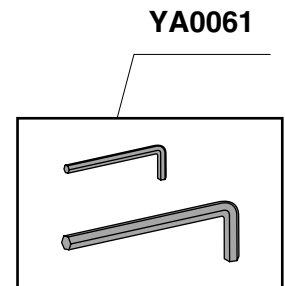
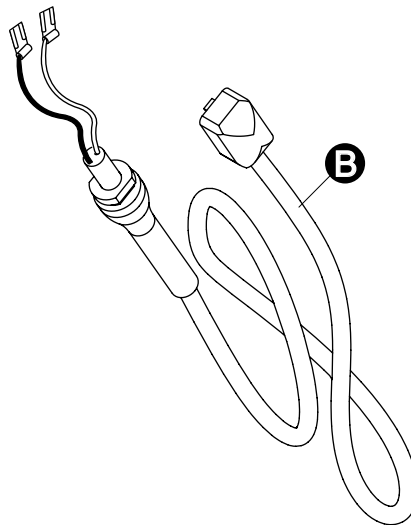
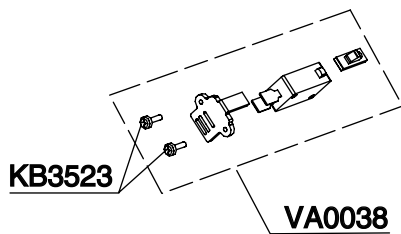
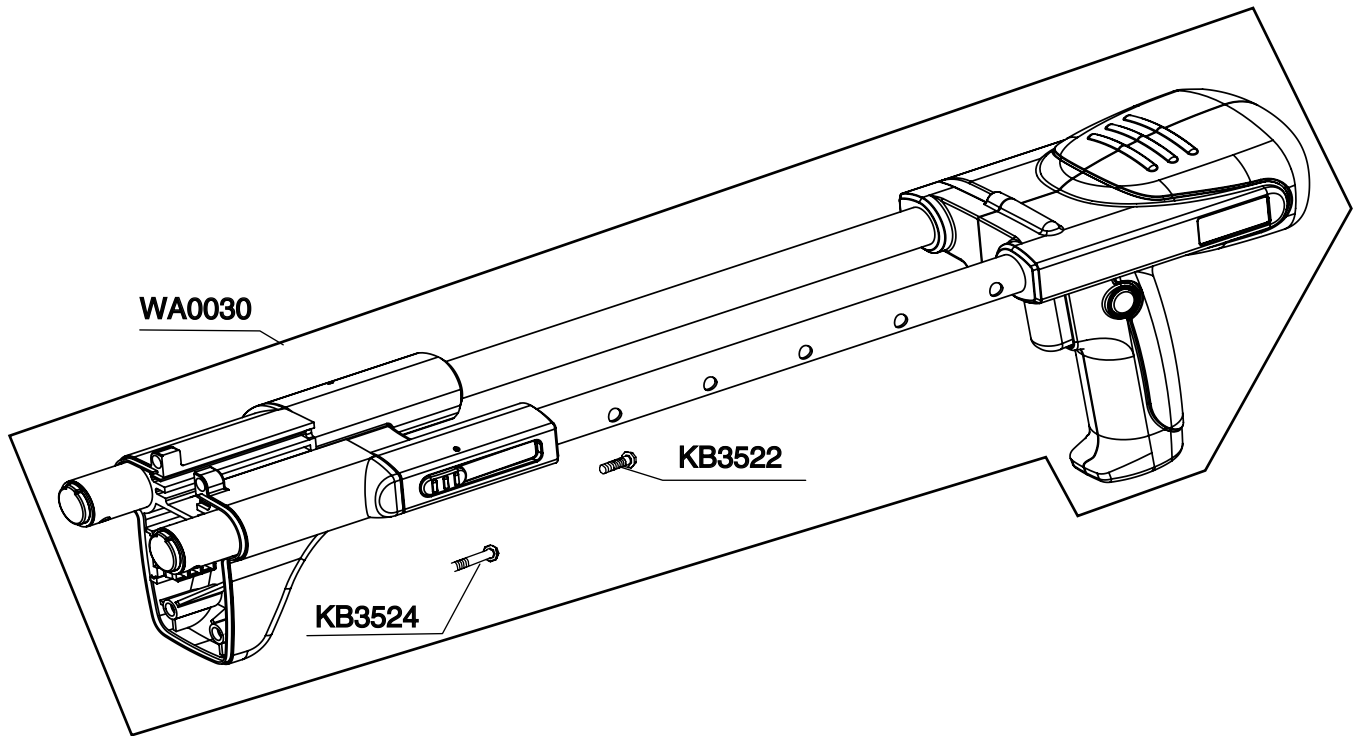
DS300-AC



| Nose Piece Assy | C (Wood) |
|-----------------|----------|
| US | FA0232 |
| Euro/S.America | FA0233 |
| Australia | FA0233 |
| UK | FA0233 |

| Bits | D |
|--------------|--------|
| Phillips Tip | EA0142 |
| Square Tip | EA0143 |





| MODEL | Drive Motor Assembly | A | B |
|---------|----------------------------------|--------|--------|
| 1P0001N | US (120V - 60Hz) | VA0040 | VB0060 |
| 1P2001N | EURO / S. America (230V - 50Hz) | VA0047 | VB0061 |
| 1P3001N | AU (230V - 50Hz) | VA0047 | VB0062 |
| 1P7001N | UK (230V - 50Hz) | VA0047 | VB0063 |
| 1P7002N | UK (110V - 50Hz) | VA0048 | VB0063 |

| PART NO. | DESCRIPTION | DESCRIPCIÓN | BESCHREIBUNG | DÉSIGNATION |
|----------|-------------------------------|------------------------------------|------------------------------------|----------------------------|
| EA0142 | SCREW BIT (Phillips No.2) | BROCA DE TORNILLO | SCHRAUBENDREHERBIT | BROCHE À VIS |
| EA0143 | SCREW BIT (Square) | BROCA DE TORNILLO | SCHRAUBENDREHERBIT | BROCHE À VIS |
| FA0227 | NON-SKID PAD | ANTIDESLIZANTE PISTA | GLEITSICHERE AUFLAGE | ANTIDÉRANPANTE GARNITURE |
| FA0230 | SLIDE BODY ASSEMBLY | CONJUNTO DE CUERPO DESLIZANTE | BAUGRUPPE GLEITGEHÄUSE | ASSEMBLAGE BLOC GLISSIERE |
| FA0232 | NOSE PIECE US (Wood) | PIEZA DE LA BOCA US (Wood) | NASENSTÜCK US (Wood) | EMBOUIT US (Wood) |
| FA0233 | NOSE PIECE CE (Wood) | PIEZA DE LA BOCA CE (Wood) | NASENSTÜCK CE (Wood) | EMBOUIT CE (Wood) |
| GB0541 | GUIDE TRACK ASSEMBLY | ASAMBLEA DE LA PISTA DE LA GUÍA | FÜHRER-SCHIENE | ASSEMBLÉE DE VOIE DE GUIDE |
| GC0647 | ROLLER | RODILLO | ROLLE | GALET |
| KB0017 | SCREW | TORNILLO | SCHRAUBE | VIS |
| KB3382 | SCREW | TORNILLO | SCHRAUBE | VIS |
| KB3435 | SCREW | TORNILLO | SCHRAUBE | VIS |
| KB3437 | SCREW | TORNILLO | SCHRAUBE | VIS |
| KB3522 | SCREW | TORNILLO | SCHRAUBE | VIS |
| KB3523 | SCREW | TORNILLO | SCHRAUBE | VIS |
| KB3524 | SCREW | TORNILLO | SCHRAUBE | VIS |
| KB4313 | RETURN SPRING | MUELLE | FEDER | RESSORT |
| KB9787 | SCREW | TORNILLO | SCHRAUBE | VIS |
| PC0956 | CARRYING CASE | MALETÍN | HANDKOFFER | MALLETTE |
| YA00061 | WRENCH KIT | CONJUNTO | EINBAUSATZ | KIT |
| VA0038 | SWITCH | INTERRUPTOR | SCHALTER | COMMUTATEUR |
| VA0040 | DRIVE MOTOR ASSEMBLY (120V) | ASAMBLE DE IMPULSOR MOTOR (120V) | ANTRIEBSMOTOR-ZUSAMMENBAU (120V) | ENTRA MOTEUR D'ASSEMBLÉE |
| VA0047 | DRIVE MOTOR ASSEMBLY (230V) | ASAMBLE DE IMPULSOR MOTOR (230V) | ANTRIEBSMOTOR-ZUSAMMENBAU (230V) | ENTRA MOTEUR D'ASSEMBLÉE |
| VA0048 | DRIVE MOTOR ASSEMBLY (UK-110) | ASAMBLE DE IMPULSOR MOTOR (UK-110) | ANTRIEBSMOTOR-ZUSAMMENBAU (UK-110) | ENTRA MOTEUR D'ASSEMBLÉE |
| VB0060 | ELECTRIC CORD (US) | CUERDA ELÉTRICA | ELEKTRISCHES NETZKABEL | CORDE ÉLECTRIQUE |
| VB0061 | ELECTRIC CORD (EURO) | CUERDA ELÉTRICA | ELEKTRISCHES NETZKABEL | CORDE ÉLECTRIQUE |
| VB0062 | ELECTRIC CORD (AUSTRALIA) | CUERDA ELÉTRICA | ELEKTRISCHES NETZKABEL | CORDE ÉLECTRIQUE |
| VB0063 | ELECTRIC CORD (UK) | CUERDA ELÉTRICA | ELEKTRISCHES NETZKABEL | CORDE ÉLECTRIQUE |
| WA0030 | HANDLE ASSEMBLY | ASAMBLE DE MANGO | HANDGRIFF-ZUSAMMENBAU | POIGNÉE D'ASSEMBLÉE |
| WC0070 | BIT HOLDER | SOSTENEDOR DEL PEDACITO | SPITZE HALTER | SUPPORT DE PEU |