

FramePro[®] 700XL / 750XL

Parts Reference Guide



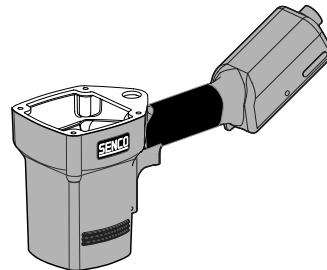
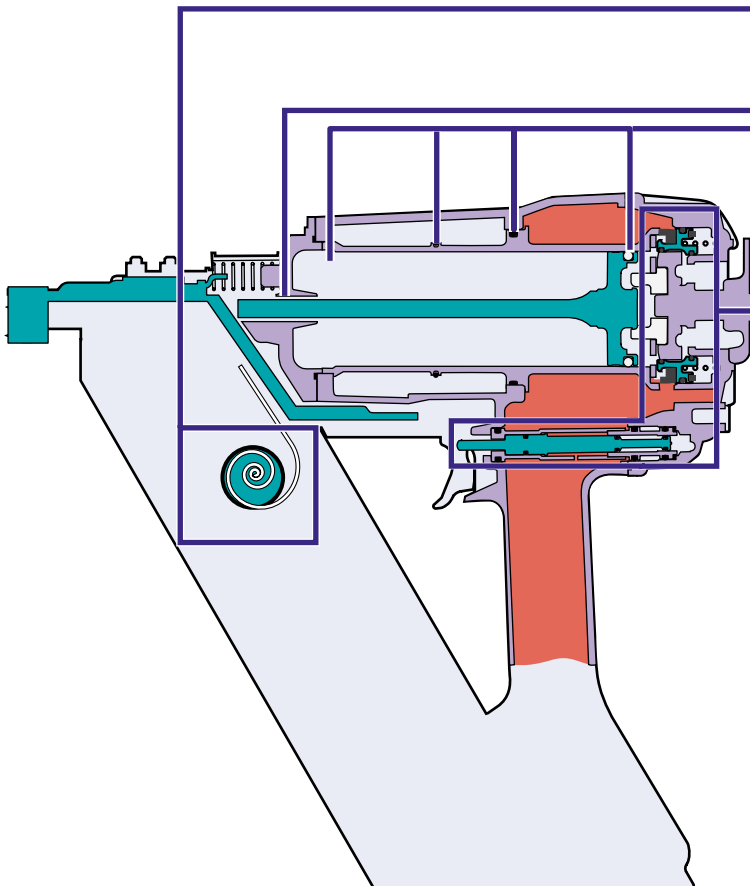
Senco Products, Inc.
8485 Broadwell Rd.
Cincinnati, OH 45244

Visit our Website: www.senco.com

Questions? Comments? call SENCO's toll-free Action-line:
1-800-543-4596 or e-mail: toolprof@senco.com

Parts Kits

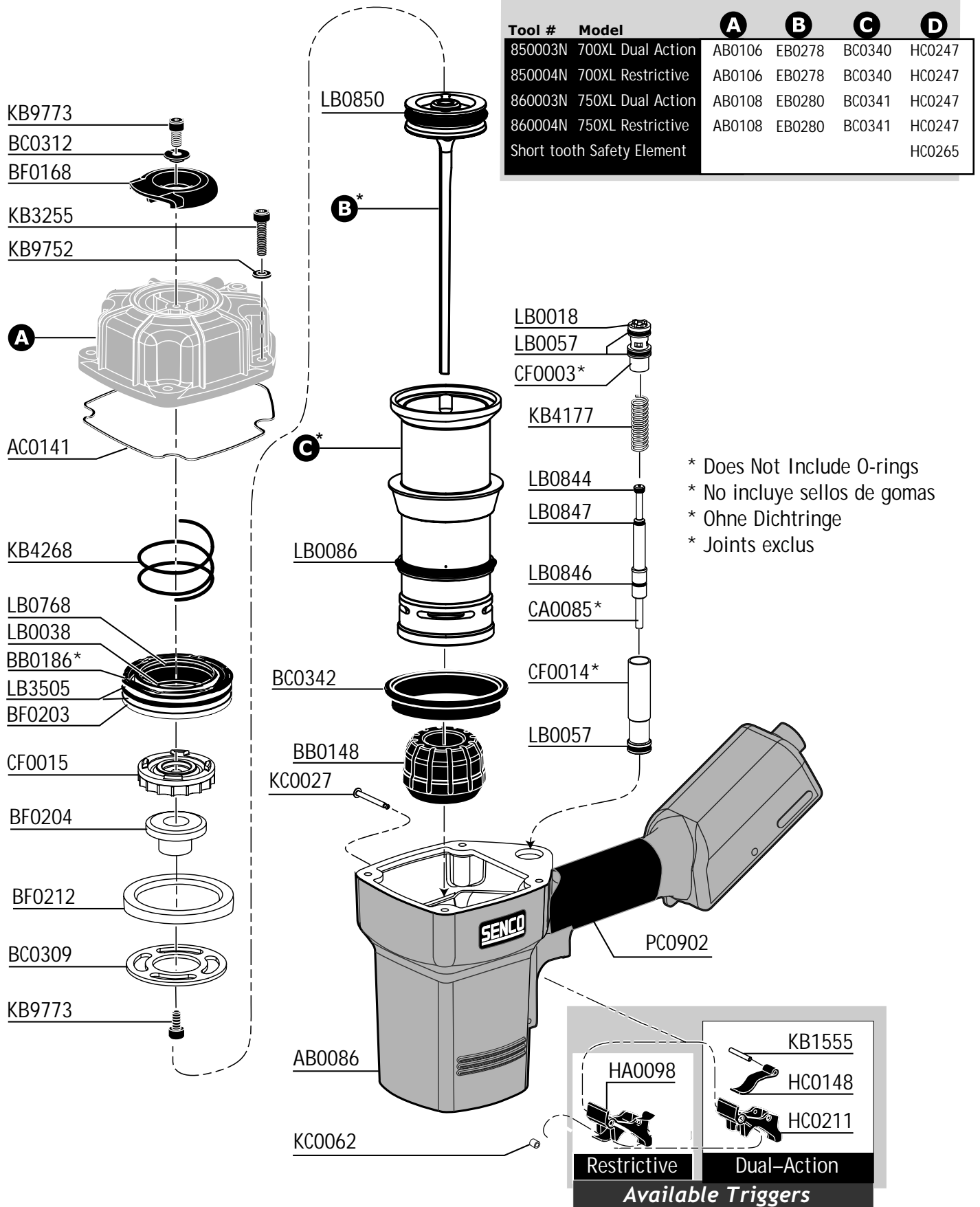
| | |
|---|--------|
| D | YK0246 |
| C | YK0298 |
| B | YK0244 |
| A | YK0243 |

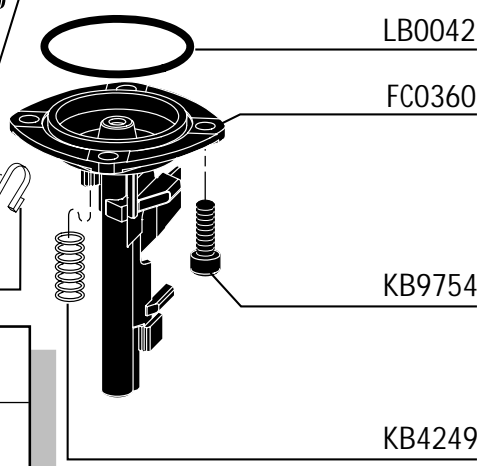
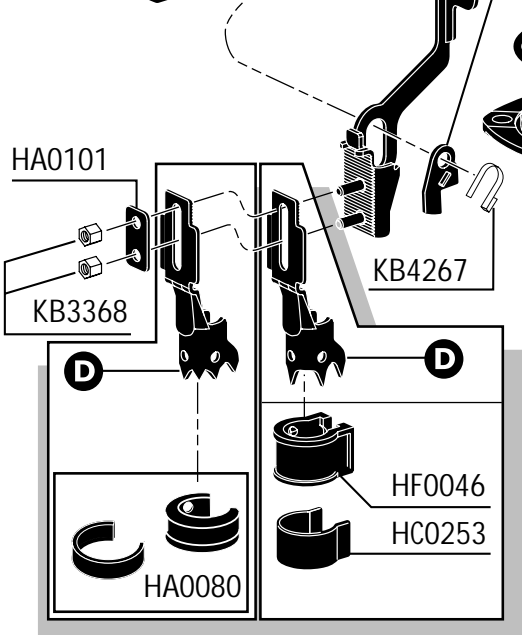
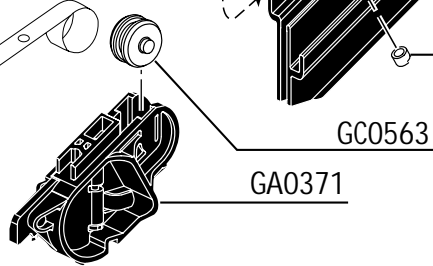
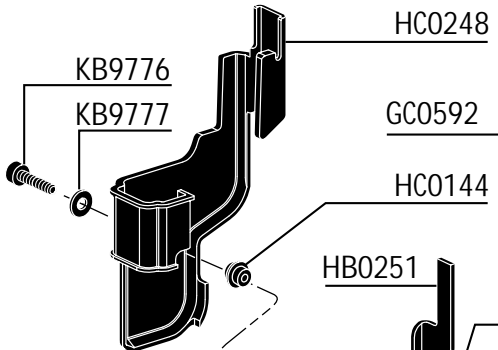
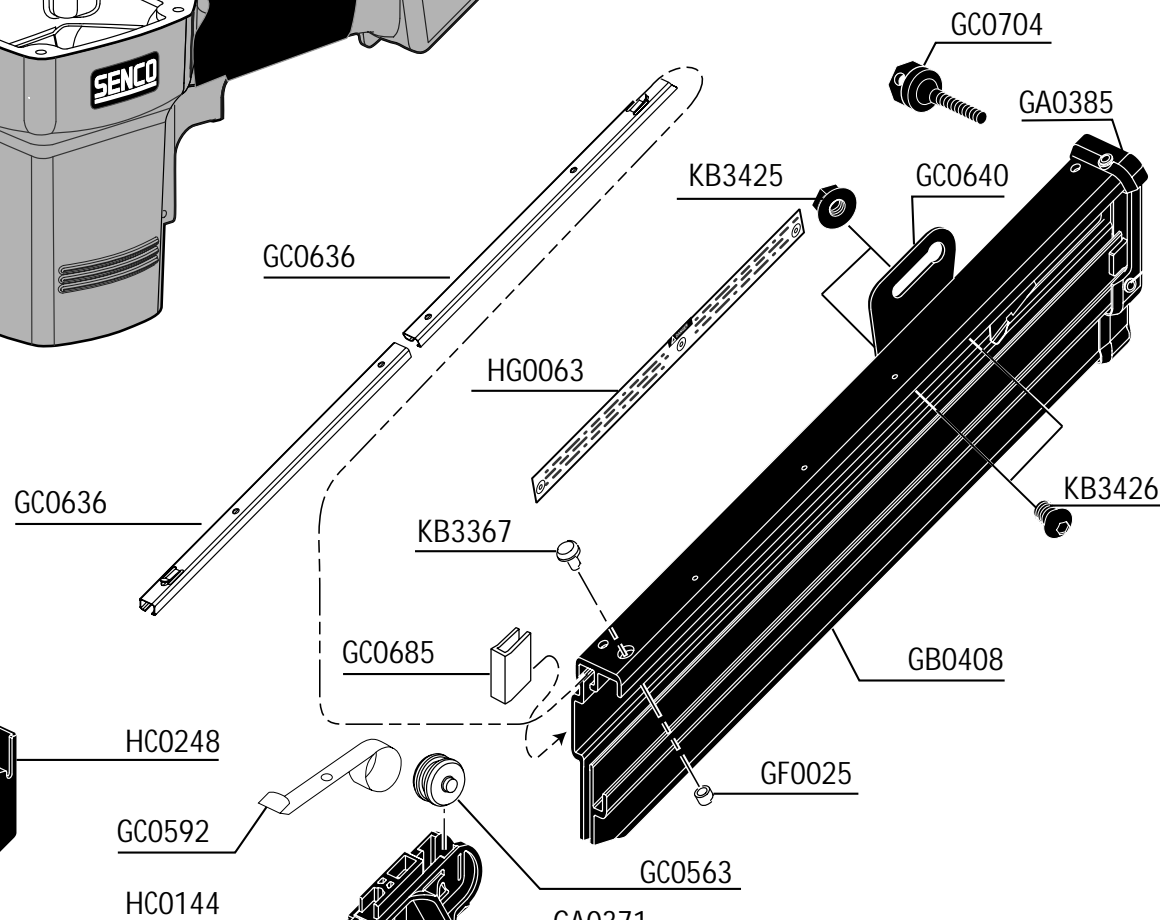
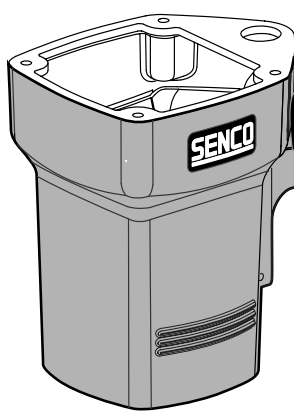
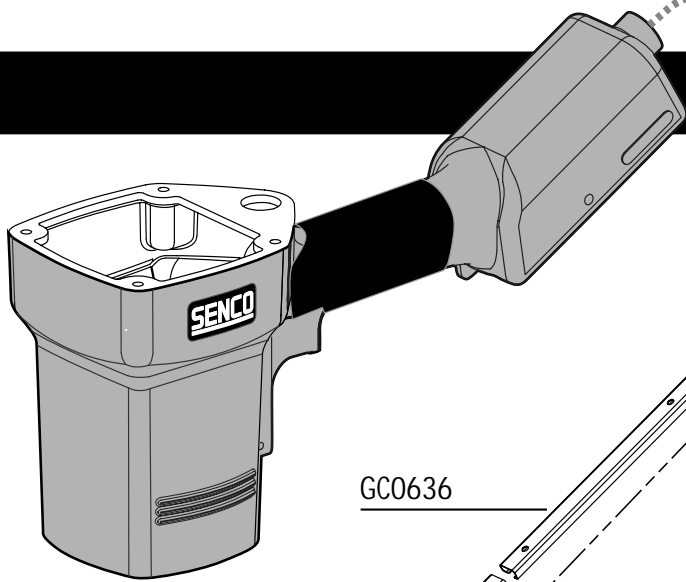


* Schematic Drawings inside

| | Symptom | Síntoma | Symptome | Symptôme | |
|---|---|---|---|--|---|
| A | Air Leak (Top) Tool does nothing Sluggish | Escape de Air (Arriba) Herramienta no mueve Operación Floja | Undichtigkeit oben am Gerät Gerät reagiert nicht | Fuite à l'échappement Ne fonctionne plus Appareil lent | A |
| B | Air Leak (Bottom) Poor Return | Escape de Air (Abajo) Retorno Flojo | Undichtigkeit unten am Gerät keine oder nur unzureichende Rückführung | Fuite à la base du moteur Remontée du conteau lente | B |
| C | Weak Drive Broken Driver | Penetrado Flojo Lanzeta Quebrada | Gerät treibt nicht ein Gebrochener Treiber | Peu de puissance Mauvaise percussion | C |
| D | Poor Feed Tool Jamming | Alimentador podre Entrancado de la Herramienta | Befestiger werden nicht nachgeschoben Gerät ist verklemmt | Enraiments Mauvaise avance des projectiles | D |

FramePro® 700XL / 750XL

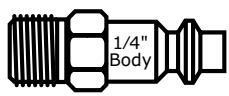




NFD085 Revised March 1, 2001 (Replaces 2/23/01) ©2000, 2001 by Senco Products, Inc. Cincinnati, Ohio 45244-U.S.A.

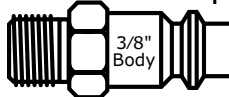
Available Plugs
(Not Included with Tool)

- PC0480** ...



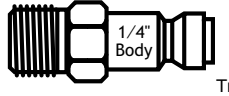
1/4" Body

Ind. Interchange 3/8" MPT
- PC0485** ✓ ...



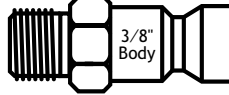
3/8" Body

Ind. Interchange 3/8" MPT
- PC0469** ...



1/4" Body

Tru-Flate 3/8" MPT
- PC0475** ✓ ...



3/8" Body

Tru-Flate 3/8" MPT

✓ **Recommended Plugs**
Plugs shown smaller than actual size

FramePro® 700XL | 750XL Framing Nailers

REPLACEMENT PARTS LIST • LISTA DE PARTES DE REPUESTO • ERSATZTEILE-LISTE • LISTE DE PIÈCES DE RECHANGE

| PART NO. | DESCRIPTION | DESCRIPCIÓN | BESCHREIBUNG | DÉSIGNATION |
|----------|-------------------------------|-----------------------------------|------------------------------------|--|
| AB0086 | MAIN BODY | CARCASA | GEHÄUSE | CORPS |
| AB0106 | CAP | TAPA | KAPPE | BOUCHON |
| AB0108 | CAP | TAPA | KAPPE | BOUCHON |
| AC0141 | SEAL | SELLO | DICHTUNG | JOINT |
| BB0148 | STOP | TOPE | PUFFER | ARRÊT |
| BB0186 | VALVE | VÁLVULA | VENTIL | VALVE |
| BC0309 | RETAINER | RETÉN | SICHERUNGSRING | RETENUE |
| BC0312 | WASHER | ARANDELA | SCHEIBE | RONDELLE |
| BC0340 | CYLINDER | CILINDRO | ZYLINDER | CYLINDRE |
| BC0341 | CYLINDER | CILINDRO | ZYLINDER | CYLINDRE |
| BC0342 | SEAL | SELLO | DICHTUNG | JOINT |
| BF0168 | DEFLECTOR | DESVIADOR | ABWEISER | DÉFLECTEUR |
| BF0203 | SEAL | SELLO | DICHTUNG | JOINT |
| BF0204 | RETAINER | RETÉN | SICHERUNGSRING | RETENUE |
| BF0212 | SEAL | SELLO | DICHTUNG | JOINT |
| CA0085 | CORE | VÁSTAGO | VENTILSTIFT | NOYAU |
| CF0003 | CAGE | CAJA | KÄFIG | CAGE |
| CF0014 | HOUSING | ALOJAMIENTO | GEHÄUSE | CORPS |
| CF0015 | VALVE | VÁLVULA | VENTIL | VALVE |
| EB0278 | PISTON ASSEMBLY | ASAMBLE DE PISTON | KOLBEN-ZUSAMMENBAU | ENSEMBLE PISTON-COUTEAU |
| EB0280 | PISTON ASSEMBLY | ASAMBLE DE PISTON | KOLBEN-ZUSAMMENBAU | ENSEMBLE PISTON-COUTEAU |
| FC0360 | GUIDE BODY | PLACA DE NARIZ | NAGELFÜHRUNG | FRONT |
| GA0371 | FEEDER SHOE | ALIMENTADOR | NAGELSCHIEBER | POUSSOIR |
| GA0385 | END CAP | TAPA TERMINAL | ABSCHLUSKAPPE | BOUCHON D'EXTRÉMITÉ DE RAIL |
| GB0408 | MAGAZINE | CARGADOR | MAGAZIN | MAGASIN |
| GC0563 | ROLLER | RODILLO | ROLLE | GALET |
| GC0592 | SPRING | RESORTE | FEDER | RESSORT |
| GC0636 | RAIL | CARRIL | SCHIENE | RAIL |
| GC0640 | BRACKET | SOPORTE | HALTERUNG | SUPPORT DE FIXATION |
| GC0685 | INSERT | ACOPLAMIENTO | EINSATZ | INSERT |
| GC0704 | KNOB | MANIVELA | KNOPF | MOLETTE DE VERROUILLAGE |
| GF0025 | BUMPER | AMORTIGUADOR | PUFFER | AMORTISSEUR |
| HA0080 | NO-MAR PAD | AMORTIGUADOR | SCHUTZ | COUSSIN |
| HA0098 | TRIGGER ASSY. | ASAMBLE DE GATILLO | AUSLÖSER | ENSEMBLE GÂCHETTE |
| HA0101 | WASHER | ARANDELA | SCHEIBE | RONDELLE |
| HB0251 | SAFETY ELEMENT | ASAMBLE DE SEGURO | SICHERHEITSVORRICHTUNG | PALPEUR DE SÉCURITÉ |
| HC0141 | STOP | TOPE | PUFFER | ARRÊT |
| HC0144 | INSERT | ACOPLAMIENTO | EINSATZ | INSERT |
| HC0148 | TRIGGER | GATILLO | AUSLÖSER | GÂCHETTE |
| HC0211 | TRIGGER | GATILLO | AUSLÖSER | GÂCHETTE |
| HC0247 | SAFETY ELEMENT | ASAMBLE DE SEGURO | SICHERHEITSVORRICHTUNG | PALPEUR DE SÉCURITÉ |
| HC0248 | COVER | CUBIERTA | ABDECKUNG | COUVERCLE |
| HC0253 | RETAINER | RETÉN | SICHERUNGSRING | RETENUE |
| HC0265 | SAFETY ELEMENT | ASAMBLE DE SEGURO | SICHERHEITSVORRICHTUNG | PALPEUR DE SÉCURITÉ |
| HF0046 | NO-MAR PAD | AMORTIGUADOR | SCHUTZ | COUSSIN |
| HG0063 | LABEL (SAFETY PRECAUTIONS) | ETIQUETA (NORMAS DE SEGURIDAD) | AUFKLEBER (SICHERHEITSHINWEISE) | ÉTIQUETTE (PRÉCAUTIONS DE SÉCURITÉ) |
| KB1555 | PIN | PASADOR | STIFT | GOUPILLE |
| KB3255 | SCREW | TORNILLO | SCHRAUBE | VIS |
| KB3367 | SCREW | TORNILLO | SCHRAUBE | VIS |
| KB3368 | NUT | TUERCA | MUTTER | ÉCROU |
| KB3425 | NUT | TUERCA | MUTTER | ÉCROU |
| KB3426 | SCREW | TORNILLO | SCHRAUBE | VIS |
| KB4177 | SPRING | RESORTE | FEDER | RESSORT |
| KB4249 | SPRING | RESORTE | FEDER | RESSORT |
| KB4267 | SPRING | RESORTE | FEDER | RESSORT |
| KB4268 | SPRING | RESORTE | FEDER | RESSORT |
| KB9752 | WASHER | ARANDELA | SCHEIBE | RONDELLE |
| KB9754 | SCREW | TORNILLO | SCHRAUBE | VIS |
| KB9773 | SCREW | TORNILLO | SCHRAUBE | VIS |
| KB9776 | SCREW | TORNILLO | SCHRAUBE | VIS |
| KB9777 | WASHER | ARANDELA | SCHEIBE | RONDELLE |
| KC0027 | PIN | PASADOR | STIFT | GOUPILLE |
| KC0062 | RETAINER | RETÉN | SICHERUNGSRING | RETENUE |
| LB0018 | SEAL | SELLO | DICHTUNG | JOINT |
| LB0038 | SEAL | SELLO | DICHTUNG | JOINT |
| LB0042 | SEAL | SELLO | DICHTUNG | JOINT |
| LB0057 | SEAL | SELLO | DICHTUNG | JOINT |
| LB0086 | SEAL | SELLO | DICHTUNG | JOINT |
| LB0768 | SEAL | SELLO | DICHTUNG | JOINT |
| LB0844 | SEAL | SELLO | DICHTUNG | JOINT |
| LB0846 | SEAL | SELLO | DICHTUNG | JOINT |
| LB0847 | SEAL | SELLO | DICHTUNG | JOINT |
| LB0850 | SEAL | SELLO | DICHTUNG | JOINT |
| LB3505 | SEAL | SELLO | DICHTUNG | JOINT |
| PC0902 | GRIP | AGARRADERO | GRIFF | GAINÉ EN CUIR |

Questions? Comments? call SENCO's toll-free Action-line: 1-800-543-4596 or e-mail: toolprof@senco.com