

FinishPro® 10

23 ga. Micro Pinner



Parts Reference Guide

Repair Kit

YK0397

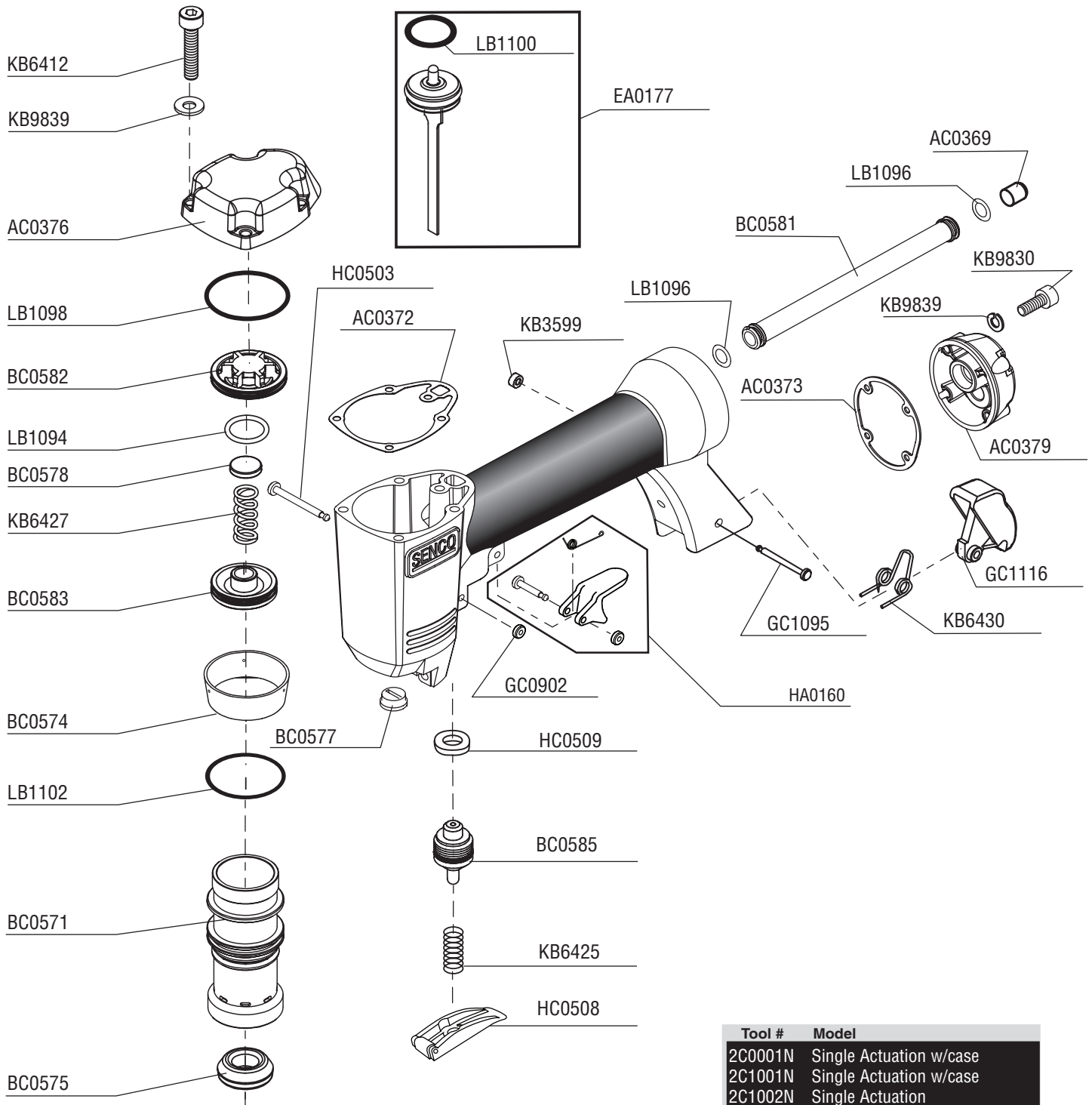


* Schematic drawing inside

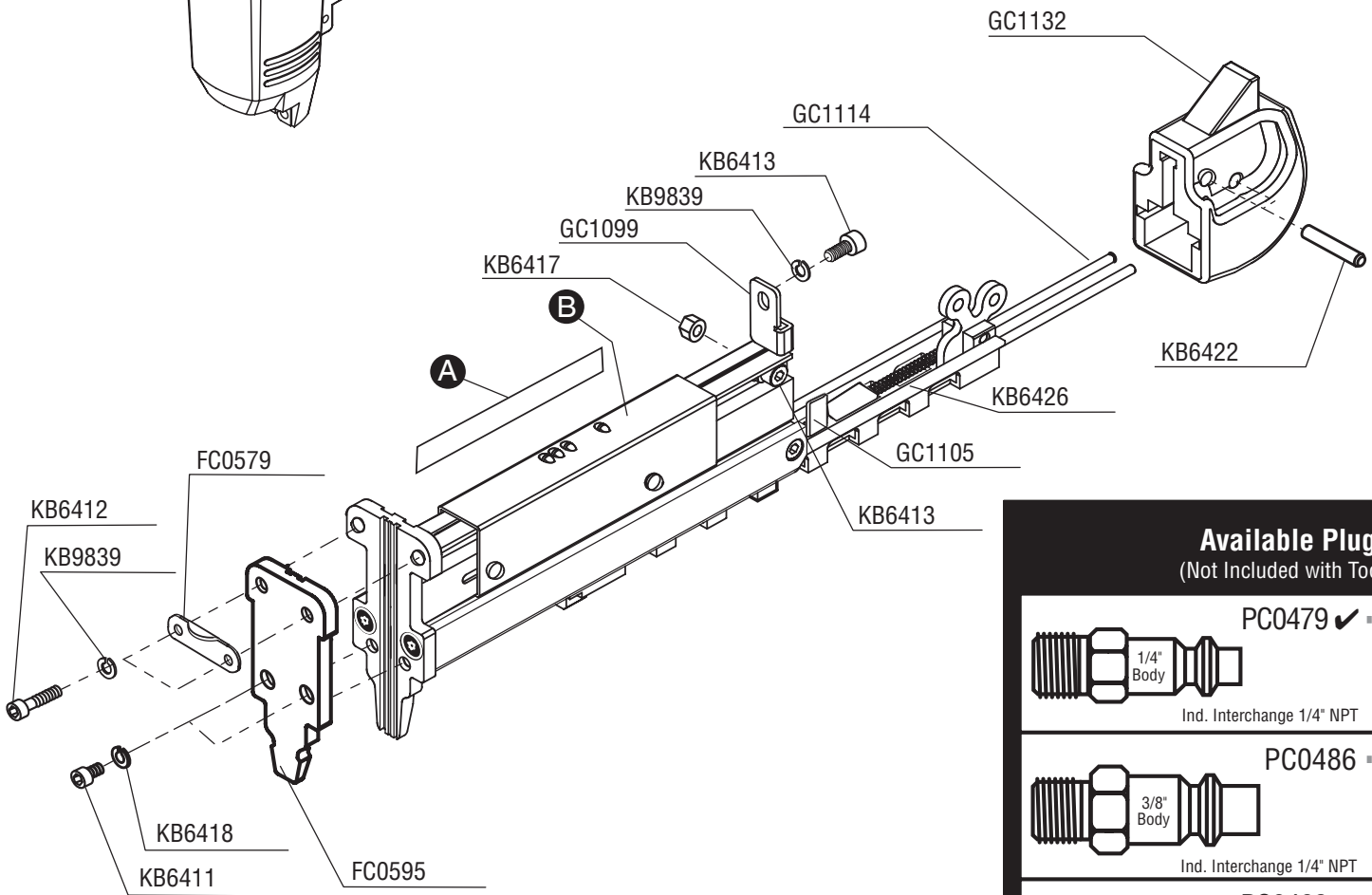
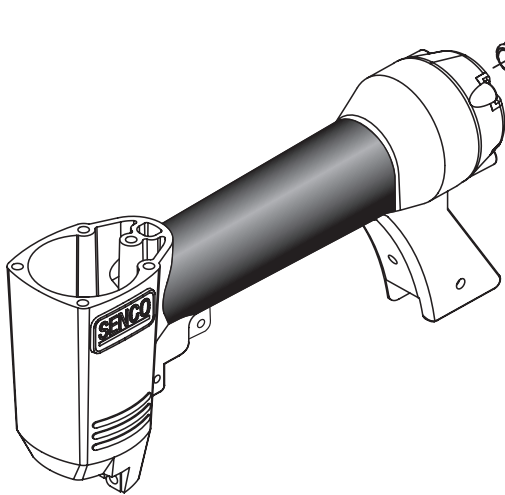
NFG02C Revised April 17, 2013 (Replaces 5/26/10) © 2013 by SENCO Brands, Inc. Cincinnati, Ohio 45245 - U.S.A.

Senco Brands Inc.
4270 Ivy Pointe Blvd.
Cincinnati, Ohio 45245
Visit Our Website: www.senco.com
EU Website: www.verpa-senco.com

Questions? Comments? call SENCO's toll-free Action-line:
1-800-543-4596 (North & South America only)
or e-mail: toolprof@senco.com


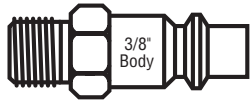

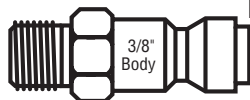


Tool #	Model
2C0001N	Single Actuation w/case
2C1001N	Single Actuation w/case
2C1002N	Single Actuation
2C2001N	Single Actuation w/case
2C3001N	Single Actuation w/case
2C3002N	Single Actuation



Tool #	Model	A	B
2C0001N	Single Actuation (US)	HG0191	GC1129
2C1001N	Single Actuation (Japan)	HG0193	GC1131
2C1002N	Single Actuation (Japan)		
2C2001N	Single Actuation (EU)	HG0192	GC1130
2C3001N	Single Actuation (AU)	HG0191	GC1129
2C3002N	Single Actuation (AU)		

Available Plugs (Not Included with Tool)

- PC0479 ✓**

 1/4" Body
 Ind. Interchange 1/4" NPT
- PC0486**

 3/8" Body
 Ind. Interchange 1/4" NPT
- PC0468 ✓**

 1/4" Body
 Tru-Flate 1/4" NPT
- PC0474**

 3/8" Body
 Tru-Flate 1/4" NPT

✓ Recommended Plugs
Plugs shown smaller than actual size

FinishPro® 10 Micro Pinner

REPLACEMENT PARTS LIST • LISTA DE PARTES DE REPUESTO • ERSATZTEILE-LISTE • LISTE DE PIÈCES DE RECHANGE

PART NO.	DESCRIPTION	DESCRIPCIÓN	BESCHREIBUNG	DÉSIGNATION
AC0369	MUFFLER	SILENCIADOR	DÄMPFER	SILENCIEUX
AC0372	SEAL	SEAL	DICHTUNG	JOINT
AC0373	SEAL	SEAL	DICHTUNG	JOINT
AC0376	CAP	TAPA	KAPPE	BOUCHON
AC0379	COVER	CUBIERTA	CUBIERTA ABDECKUNG	COUVERCLE
BC0571	CYLINDER	CILINDRO	ZYLINDER	CYLINDRE
BC0574	RETAINER	JUNTA TÓRICA	SICHERUNGSRING	RETENUE
BC0575	STOP	TOPE	PUFFER	ARRÊT
BC0577	BUSHING	CASQUILLO	HÜLSE	DOUILLE
BC0578	SEAL	SEAL	DICHTUNG	JOINT
BC0581	TUBE	TUBO	RÖHRE	TUBE
BC0582	VALVE	VÁLVULA	VENTIL	VALVE
BC0583	VALVE	VÁLVULA	VENTIL	VALVE
BC0585	VALVE	VÁLVULA	VENTIL	VALVE
EA0177	PISTON ASSEMBLY	PISTON ASSEMBLY	KOLBEN-ZUSAMMENBAU	ENSEMBLE PISTON -COUTEAU
FC0579	PLATE	PLACA	PLATTE	PLAQUE
FC0595	PLATE	PLACA	PLATTE	PLAQUE
GC0902	RETAINER	JUNTA TÓRICA	SICHERUNGSRING	RETENUE
GC1095	PIN	PASADOR	STIFT	GOUPILLE
GC1099	BRACKET	SOPORTE	HALTERUNG	SUPPORT DE FIXATION
GC1105	FEEDER SHOE	ALIMENTADOR	NAGELSCHIEBER	POUSOIR
GC1114	GUIDE	GUÍA	FÜHRUNG	GUIDE
GC1116	LATCH	UNETA	VERSCHLUSS	DOIGT DE RETENUE
GC1129 (US)	MAGAZINE	CARGADOR	MAGAZIN	MAGASIN
GC1130 (Euro)	MAGAZINE	CARGADOR	MAGAZIN	MAGASIN
GC1131 (Japan)	MAGAZINE	CARGADOR	MAGAZIN	MAGASIN
GC1132	PLATE	PLACA	PLATTE	PLAQUE
HA0160	TRIGGER ASSEMBLY	ASAMBLE DE GATILLO	AUSLÖSER-ZUSAMMENBAU	ENSEMBLE GÂCHETTE
HC0503	TRIGGER PIN	PASADOR	STIFT	GOUPILLE
HC0508	TRIGGER	GATILLO	AUSLÖSER	GÂCHETTE
HC0509	SEAL	SEAL	DICHTUNG	JOINT
HG0191 (US)	LABEL	ETIQUETA	AUFKLEBER	ÉTIQUETTE
HG0192 (Euro)	LABEL	ETIQUETA	AUFKLEBER	ÉTIQUETTE
HG0193 (Japan)	LABEL	ETIQUETA	AUFKLEBER	ÉTIQUETTE LABEL
KB3599	RETAINER	JUNTA TÓRICA	SICHERUNGSRING	RETENUE
KB6411	SCREW	TORNILLO	SCHRAUBE	VIS
KB6412	SCREW	TORNILLO	SCHRAUBE	VIS
KB6413	SCREW	TORNILLO	SCHRAUBE	VIS
KB6417	NUT	TUERCA	MUTTER	ECROU
KB6418	WASHER	ARANDELA	SCHEIBE	RONDELLE
KB6422	PIN	PASADOR	STIFT	GOUPILLE
KB6425	SPRING	RESORTE	FEDER	RESSORT
KB6426	SPRING	RESORTE	FEDER	RESSORT
KB6427	SPRING	RESORTE	FEDER	RESSORT
KB6430	SPRING	RESORTE	FEDER	RESSORT
KB9830	SCREW	TORNILLO	SCHRAUBE	VIS
KB9839	WASHER	ARANDELA	SCHEIBE	RONDELLE
LB1094	SEAL	SEAL	DICHTUNG	JOINT
LB1096	SEAL	SEAL	DICHTUNG	JOINT
LB1098	SEAL	SEAL	DICHTUNG	JOINT
LB1100	SEAL	SEAL	DICHTUNG	JOINT
LB1102	SEAL	SEAL	DICHTUNG	JOINT