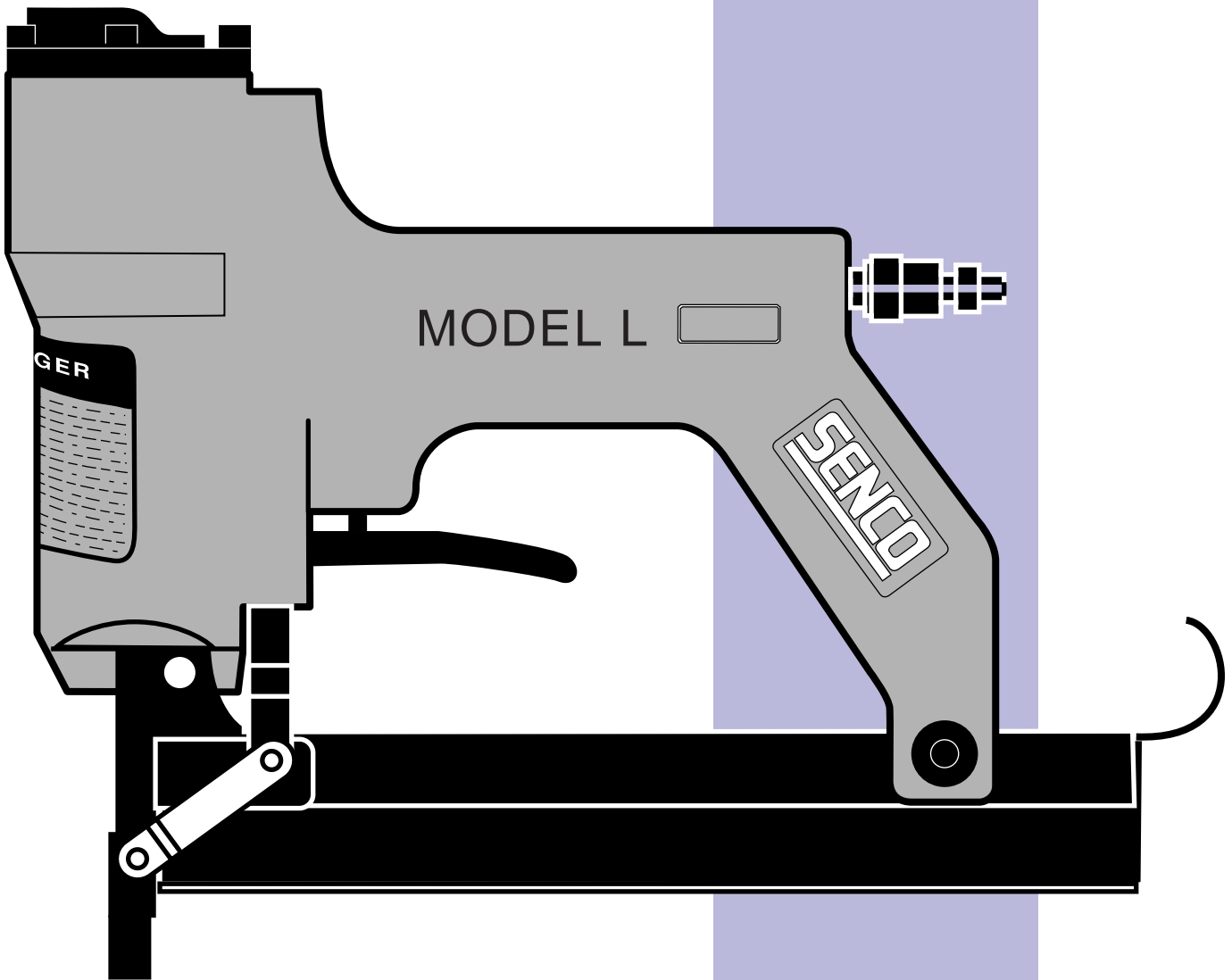


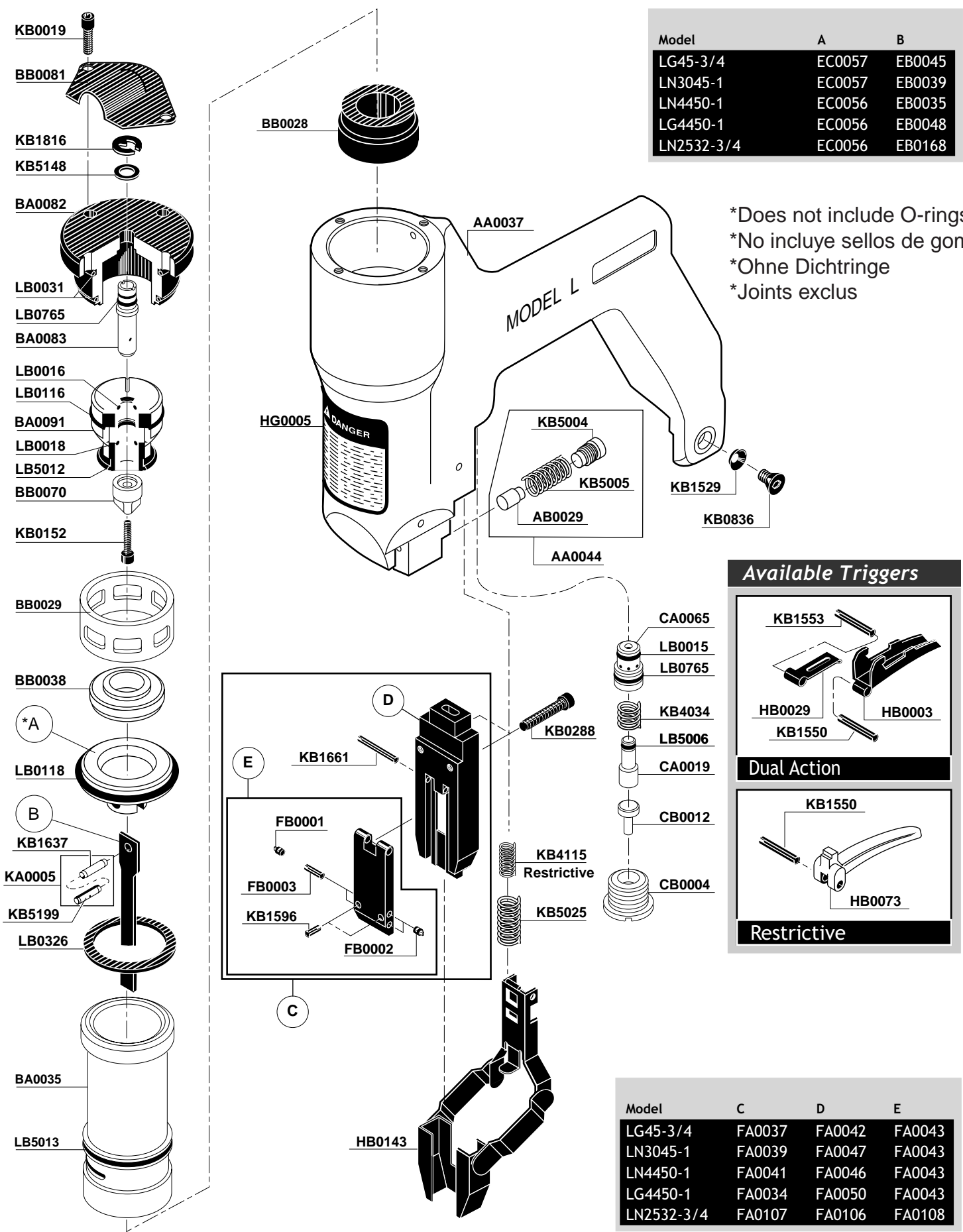


# Parts Reference Guide

Made in the U.S.A. 



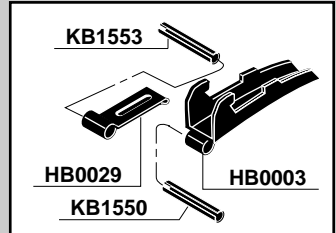
\* Schematic Drawings inside



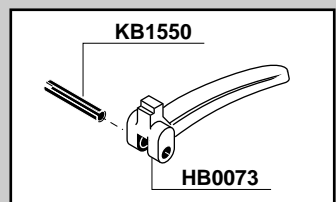
Model	A	B
LG45-3/4	EC0057	EB0045
LN3045-1	EC0057	EB0039
LN4450-1	EC0056	EB0035
LG4450-1	EC0056	EB0048
LN2532-3/4	EC0056	EB0168

\*Does not include O-rings  
 \*No incluye sellos de gomas  
 \*Ohne Dichtringe  
 \*Joints exclus

**Available Triggers**

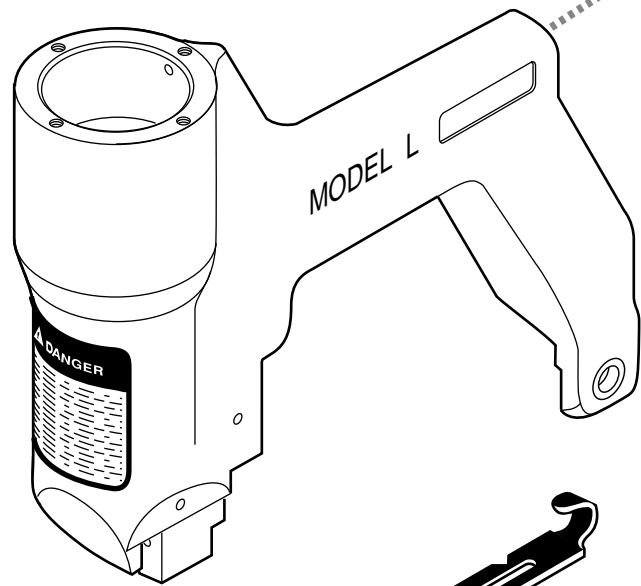


**Dual Action**

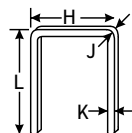
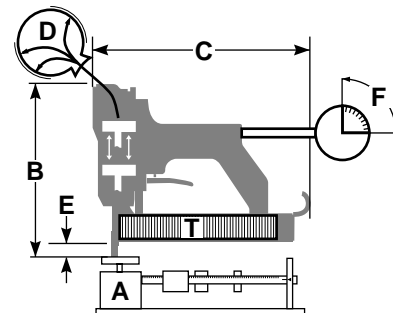


**Restrictive**

Model	C	D	E
LG45-3/4	FA0037	FA0042	FA0043
LN3045-1	FA0039	FA0047	FA0043
LN4450-1	FA0041	FA0046	FA0043
LG4450-1	FA0034	FA0050	FA0043
LN2532-3/4	FA0107	FA0106	FA0108



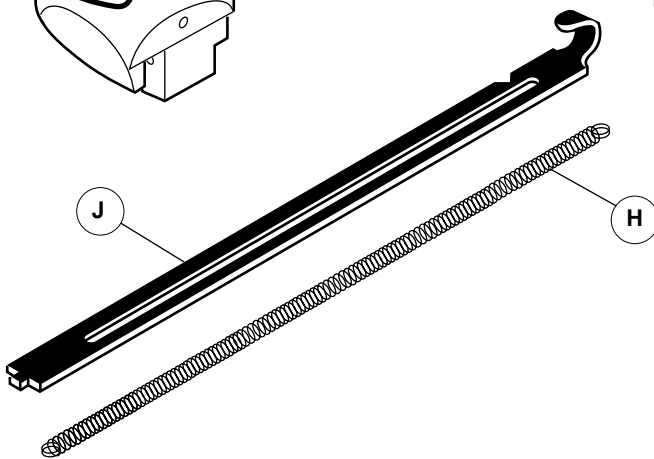
A	3 lbs. 4oz.	1.5 kg
B	7 3/4 in.	197mm
C	11-11/16 in.	297-376 mm
D	.82 scfm	23.1 liter
E	1/2 in. - 3/4 in.	13mm-19mm
F	80-110 P.S.I.G.	5.5-7.5 bar
T	158-240	158-240



LG4450



H	3/8 in.	10mm
J	.050 in.	1.27mm
K	.044 in.	1.12mm
L	5/8 in. - 1 in.	16mm-25mm



LN2532



H	3/16 in.	5mm
J	.032 in.	.81mm
K	.025 in.	.64mm
L	3/4 in.	19mm

LG45



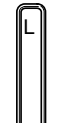
H	3/8 in.	10mm
J	.045 in.	1.14mm
K	.023 in.	.58mm
L	1/2 in. - 5/8 in.	13mm-16mm

LN3045

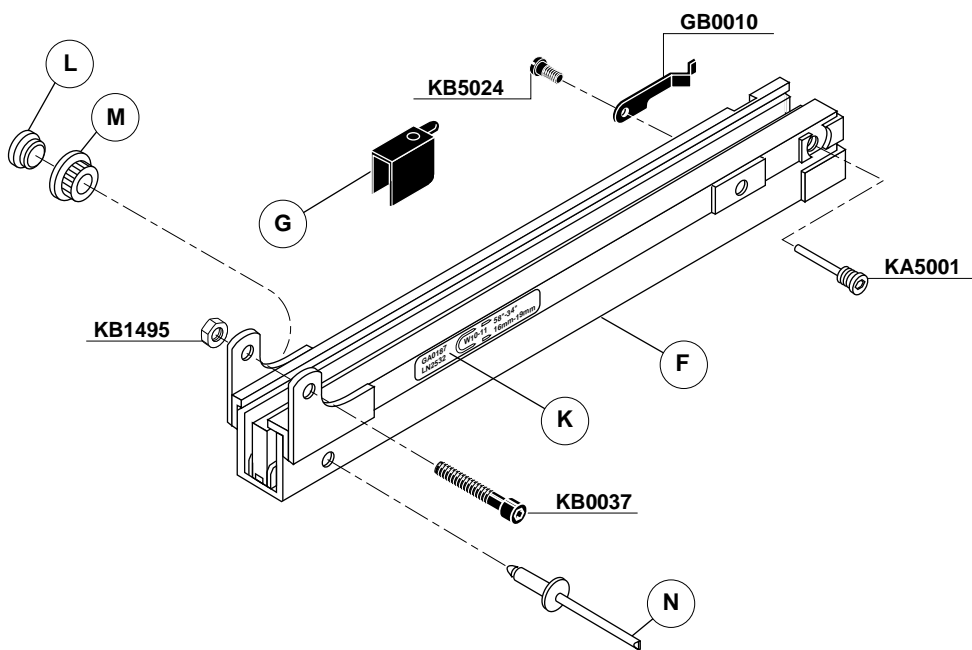


H	1/4 in.	6mm
J	.045 in.	1.14mm
K	.030 in.	.76mm
L	5/8 in. - 1 in.	16mm-25mm

LN4450



H	1/4 in.	6mm
J	.050 in.	1.27mm
K	.044 in.	1.12mm
L	5/8 in. - 1 in.	16mm-25mm



Model	F	G	H	J	K	L	M	N
LG45-3/4	GA0039	GA0031	KB5027	GB0014	GG0080	-	-	-
LN3045-1	GA0041	GA0050	KB5023	GB0013	GG0082	GC0280	GC0281	KB4517
LN4450-1	GA0043	GA0032	KB5023	GB0013	GG0084	GC0280	GC0281	KB4517
LG4450-1	GA0036	GA0031	KB5022	GB0012	GG0078	-	-	-
LN2532-3/4	GA0187	GA0032	KB5023	GB0050	GG0048	GC0280	GC0281	KB14517

**Available Plugs**  
(Not Included with Tool)

**PC0479** ✓  
1/4" Body  
Ind. Interchange 1/4" MPT

**PC0486**  
3/8" Body  
Ind. Interchange 1/4" MPT

**PC0468** ✓  
1/4" Body  
Tru-Flate 1/4" MPT

**PC0474**  
3/8" Body  
Tru-Flate 1/4" MPT

✓ **Recommended Plugs**  
Plugs shown smaller than actual size



REPLACEMENT PARTS LIST • LISTA DE PARTES DE REPUESTO • ERSATZTEILE-LISTE • LISTE DE PIÈCES DE RECHANGE

PART NO.	DESCRIPTION	DESCRIPCIÓN	BESCHREIBUNG	DÉSIGNATION
AA0037	MAIN BODY ASSY.	CARCASA	GEHÄUSE	CORPS
AA0044	DETENT ASSY.	ASAMBLE DE FRENO	ASSEMBLE BREMS-ZUSAMMENBAU	FREIN D'ASSEMBLÉE
AB0029	DETENT	FRENO	BREMSE	FREIN
BA0035	CYLINDER ASSY.	ASAMBLE DE CILINDRO	ZYLINDER-ZUSAMMENBAU	CYLINDRE D'ASSEMBLÉE
BA0081	CYLINDER CAP ASSY.	ASAMBLE DE TAPA	KAPPE-ZUSAMMENBAU	BOUCHON D'ASSEMBLÉE
BA0082	CYLINDER CAP ASSY.	ASAMBLE DE TAPA	KAPPE-ZUSAMMENBAU	BOUCHON D'ASSEMBLÉE
BA0083	CYLINDER CAP ASSY.	ASAMBLE DE TAPA	KAPPE-ZUSAMMENBAU	BOUCHON D'ASSEMBLÉE
BA0091	VALVE ASSEMBLY	ASAMBLE DE VALVULA	VENTIL-ZUSAMMENBAU	VALVE D'ASSEMBLÉE
BB0028	STOP	SEPARADOR	DISTANZSTÜCK	ENTRETOISE
BB0029	SPACER	TAPA	KAPPE	BOUCHON
BB0038	SEAT	ASIENTO	SITZ	SIEGE
BB0070	VALVE	VALVULA	VENTIL	VALVE
BB0081	DEFLECTOR	DESVIADOR	ABWEISER	DÉFLECTEUR
CA0019	VALVE ASSEMBLY	ASAMBLE DE VALVULA	VENTIL-ZUSAMMENBAU	VALVE D'ASSEMBLÉE
CA0065	VALVE ASSEMBLY	ASAMBLE DE VALVULA	VENTIL-ZUSAMMENBAU	VALVE D'ASSEMBLÉE
CB0004	CAP	TAPA	KAPPE	BOUCHON
CB0012	VALVE	VALVULA	VENTIL	VALVE
EA0014	PISTON ASSY.	ASAMBLE DE PISTON	KOLBEN-ZUSAMMENBAU	PISTON D'ASSEMBLÉE
EB0032	DRIVER (LN4450 Reg.)	PERCUSOR	TREIBER	COUTEAU
EB0034	DRIVER (LN4450 1/16 CSK)	PERCUSOR	TREIBER	COUTEAU
EB0035	DRIVER (LN4450 1/8 CSK)	PERCUSOR	TREIBER	COUTEAU
EB0036	DRIVER (LN3045 Reg.)	PERCUSOR	TREIBER	COUTEAU
EB0038	DRIVER (LN3045 1/16 CSK)	PERCUSOR	TREIBER	COUTEAU
EB0039	DRIVER (LN3045 1/8 CSK)	PERCUSOR	TREIBER	COUTEAU
EB0042	DRIVER (LG5562 1/16 CSK)	PERCUSOR	TREIBER	COUTEAU
EB0043	DRIVER (LG45 Reg.)	PERCUSOR	TREIBER	COUTEAU
EB0045	DRIVER (LG4450 1/16 CSK)	PERCUSOR	TREIBER	COUTEAU
EB0046	DRIVER (LG4450 Reg.)	PERCUSOR	TREIBER	COUTEAU
EB0048	DRIVER (LG4450 1/16 CSK)	PERCUSOR	TREIBER	COUTEAU
EB0157	DRIVER (L75 1/16 CSK)	PERCUSOR	TREIBER	COUTEAU
EB0158	DRIVER (L75 Reg.)	PERCUSOR	TREIBER	COUTEAU
EB0168	DRIVER (LN2532 1/16 CSK)	PERCUSOR	TREIBER	COUTEAU
EC0056	PISTON	PISTON	KOLBEN	PISTON
EC0058	PISTON	PISTON	KOLBEN	PISTON
FA0033	GUIDE BODY ASSY. (LG4450 3/4")	ASAMBLE DE PLACA DE NARIZ	KLAMMERFUHRUNG-ZUSAMMENBAU	FRONT D'ASSEMBLÉE
FA0034	GUIDE BODY (LG4450-1")	ASAMBLE DE PLACA DE NARIZ	KLAMMERFUHRUNG-ZUSAMMENBAU	FRONT D'ASSEMBLÉE
FA0037	GUIDE BODY ASSY. (LG45-3/4")	ASAMBLE DE PLACA DE NARIZ	KLAMMERFUHRUNG-ZUSAMMENBAU	FRONT D'ASSEMBLÉE
FA0038	GUIDE BODY (LN3045-3/4")	ASAMBLE DE PLACA DE NARIZ	KLAMMERFUHRUNG-ZUSAMMENBAU	FRONT D'ASSEMBLÉE
FA0039	GUIDE BODY (LN3450-1")	ASAMBLE DE PLACA DE NARIZ	KLAMMERFUHRUNG-ZUSAMMENBAU	FRONT D'ASSEMBLÉE
FA0040	GUIDE BODY ASSY. (LN4450-3/4")	ASAMBLE DE PLACA DE NARIZ	KLAMMERFUHRUNG-ZUSAMMENBAU	FRONT D'ASSEMBLÉE
FA0041	GUIDE BODY (LN4450-1")	ASAMBLE DE PLACA DE NARIZ	KLAMMERFUHRUNG-ZUSAMMENBAU	FRONT D'ASSEMBLÉE
FA0043	PLATE ASSY. (LG45-3/4")	PLACA	PLATTE	PLAQUE
FA0044	PLATE (LG4450-3/4")	PLACA	PLATE	PLAQUE
FA0045	PLATE (LN3045-3/4")	PLACA	PLATE	PLAQUE
FA0046	PLATE (LG4450-1")	PLACA	PLATE	PLAQUE
FA0047	PLATE (LN3045-1")	PLACA	PLATE	PLAQUE
FA0048	PLATE (LG4450-3/4")	PLACA	PLATE	PLAQUE
FA0050	PLATE (LG4450-1")	PLACA	PLATE	PLAQUE
FA0051	PLATE (LG5562-1")	PLACA	PLATE	PLAQUE
FA0085	PLATE (L75-5/8")	PLACA	PLATE	PLAQUE
FA0106	PLATE (LN2532-3/4")	PLACA	PLATE	PLAQUE
FA0107	GUIDE BODY ASSY. (LN2532-3/4")	ASAMBLE DE PLACA DE NARIZ	KLAMMERFUHRUNG-ZUSAMMENBAU	FRONT D'ASSEMBLÉE
FA0108	PLATE ASSY. (LN2532-3/4")	ASAMBLE DE PLACA	PLATTE-ZUSAMMENBAU	PLAQUE D'ASSEMBLÉE
FA0086	GUIDE BODY (KN4450-11/2")	ASAMBLE DE PLACA DE NARIZ	KLAMMERFUHRUNG-ZUSAMMENBAU	FRONT D'ASSEMBLÉE
FA0087	PLATE (KN4450-11/2")	PLACA	PLATTE	PLAQUE
FB0012	PIN	PASADOR	STIFT	GOUPILLE
FB0022	PIN	PASADOR	STIFT	GOUPILLE
FB0033	BUSHING	CASQUILLO	HULSE	DOUILLE
GA0030	FEEDER SHOE (LG5562)	ALIMENTADOR	KLAMMERSCHIEBER	POUSSOIR
GA0031	FEEDER SHOE (LG75, LG4450)	ALIMENTADOR	KLAMMERSCHIEBER	POUSSOIR
GA0032	FEEDER SHOE (LN4450, LN2532)	ALIMENTADOR	KLAMMERSCHIEBER	POUSSOIR
GA0035	RAIL ASSY. (LG4450-3/4")	ASAMBLE DE CARRIL	SCHIENE-ZUSAMMENBAU	RAIL D'ASSEMBLÉE
GA0036	RAIL ASSY. (LN4450-1")	ASAMBLE DE CARRIL	SCHIENE-ZUSAMMENBAU	RAIL D'ASSEMBLÉE
GA0038	RAIL ASSY. (LG5562-1")	ASAMBLE DE CARRIL	SCHIENE-ZUSAMMENBAU	RAIL D'ASSEMBLÉE
GA0039	RAIL ASSY. (LG45-3/4")	ASAMBLE DE CARRIL	SCHIENE-ZUSAMMENBAU	RAIL D'ASSEMBLÉE
GA0040	RAIL ASSY. (LN3045-3/4")	ASAMBLE DE CARRIL	SCHIENE-ZUSAMMENBAU	RAIL D'ASSEMBLÉE
GA0041	RAIL ASSY. (LN3045-1")	ASAMBLE DE CARRIL	SCHIENE-ZUSAMMENBAU	RAIL D'ASSEMBLÉE
GA0042	RAIL ASSY. (LN4450-3/4")	ASAMBLE DE CARRIL	SCHIENE-ZUSAMMENBAU	RAIL D'ASSEMBLÉE
GA0043	RAIL ASSY. (LN4450-1")	ASAMBLE DE CARRIL	SCHIENE-ZUSAMMENBAU	RAIL D'ASSEMBLÉE
GA0050	FEEDER SHOE (LN3045)	ALIMENTADOR	KLAMMERSCHIEBER	POUSSOIR
GA0113	PIN (L75)	ALIMENTADOR	KLAMMERSCHIEBER	POUSSOIR
GA0146	RAIL ASSY. (L75-5/8")	ASAMBLE DE CARRIL	SCHIENE-ZUSAMMENBAU	RAIL D'ASSEMBLÉE
GA0187	RAIL ASSY. (LN2532-3/4")	ASAMBLE DE CARRIL	SCHIENE-ZUSAMMENBAU	RAIL D'ASSEMBLÉE
GB0010	RETAINER	JUNTA TORICA	SICHERUNGSRING	RETENUE
GB0012	GUIDE (LG4450)	GUIA	FUHRUNG	GUIDE
GB0013	GUIDE (LN3045, LN4450)	GUIA	FUHRUNG	GUIDE
GB0014	GUIDE (LG45-3/4")	GUIA	FUHRUNG	GUIDE
GB0038	GUIDE (L75)	GUIA	FUHRUNG	GUIDE
GB0050	GUIDE (LN2532-3/4")	GUIA	FUHRUNG	GUIDE
GC0280	RETAINER	JUNTA TORICA	SICHERUNGSRING	RETENUE
GC0281	ROLLER	RODILLO	ROLLE	GALET
GG0048	LABEL	ETIQUETA	AUFKLEBER	ETIQUETTE
GG0078	LABEL	ETIQUETA	AUFKLEBER	ETIQUETTE
GG0080	LABEL	ETIQUETA	AUFKLEBER	ETIQUETTE
GG0082	LABEL	ETIQUETA	AUFKLEBER	ETIQUETTE
GG0084	LABEL	ETIQUETA	AUFKLEBER	ETIQUETTE
HB0003	TRIGGER	GATILLO	AUSLÖSER	GACHETTE
HB0029	TRIGGER	GATILLO	AUSLÖSER	GACHETTE
HB0073	TRIGGER	GATILLO	AUSLÖSER	GACHETTE
HB0143	SAFETY ELEMENT	SEGURO	SICHERHEITSVORRICHTUNG	PALPEUR DE SÉCURITÉ
HG0005	LABEL (SAFETY PRECAUTIONS)	ETIQUETA (NORMAS DE SEGURIDAD)	AUFKLEBER (SICHERHEITSHINWEISE)	ETIQUETTE (PRÉCAUTIONS DE SÉCURITÉ)
KA0005	PIN ASSY.	ASAMBLE DE PASADOR	STIFT-ZUSAMMENBAU	GOUPILLE D'ASSEMBLÉE
KA5001	RETAINER	JUNTA TORICA	SICHERUNGSRING	RETENUE
KB0019	SCREW	TORNILLO	SCHRAUBE	VIS
KB0037	SCREW	TORNILLO	SCHRAUBE	VIS
KB0152	SCREW	TORNILLO	SCHRAUBE	VIS
KB0288	SCREW	TORNILLO	SCHRAUBE	VIS
KB0836	SCREW	TORNILLO	SCHRAUBE	VIS
KB1495	NUT	TUERCA	MUTTER	ECROU
KB1529	WASHER	ARANDELA	SCHIEBE	RONDELLE
KB1550	PIN	PASADOR	STIFT	GOUPILLE
KB1553	PIN	PASADOR	STIFT	GOUPILLE
KB1596	PIN	PASADOR	STIFT	GOUPILLE
KB1661	PIN	PASADOR	STIFT	GOUPILLE
KB1637	PIN	PASADOR	STIFT	GOUPILLE
KB1816	RETAINER	JUNTA TORICA	SICHERUNGSRING	RETENUE
KB4034	SPRING	MUELLE	FEDER	RESSORT
KB4115	SPRING	MUELLE	FEDER	RESSORT
KB4517	PIN	PASADOR	STIFT	GOUPILLE
KB5004	SCREW	TORNILLO	SCHRAUBE	VIS
KB5005	SPRING	MUELLE	FEDER	RESSORT
KB5022	SPRING (LG4450)	MUELLE	FEDER	RESSORT
KB5023	SPRING (LN3045, LN4450, LN2532)	MUELLE	FEDER	RESSORT
KB5024	SCREW	TORNILLO	SCHRAUBE	VIS
KB5025	SPRING	MUELLE	FEDER	RESSORT
KB5027	SPRING (LG45)	MUELLE	FEDER	RESSORT
KB5148	WASHER	ARANDELA	SCHIEBE	RONDELLE
KB5199	PIN	PASADOR	STIFT	GOUPILLE
LB0015	SEAL	SELLO	DICHTUNG	JOINT
LB0016	SEAL	SELLO	DICHTUNG	JOINT
LB0018	SEAL	SELLO	DICHTUNG	JOINT
LB0031	SEAL	SELLO	DICHTUNG	JOINT
LB0116	SEAL	SELLO	DICHTUNG	JOINT
LB0118	SEAL	SELLO	DICHTUNG	JOINT
LB0326	SEAL	SELLO	DICHTUNG	JOINT
LB0765	SEAL	SELLO	DICHTUNG	JOINT
LB5006	SEAL	SELLO	DICHTUNG	JOINT
LB5012	SEAL	SELLO	DICHTUNG	JOINT
LB5013	SEAL	SELLO	DICHTUNG	JOINT

Questions? Comments? call SENCO's toll-free Action-line: 1-800-543-4596 or e-mail: [toolprof@senco.com](mailto:toolprof@senco.com)