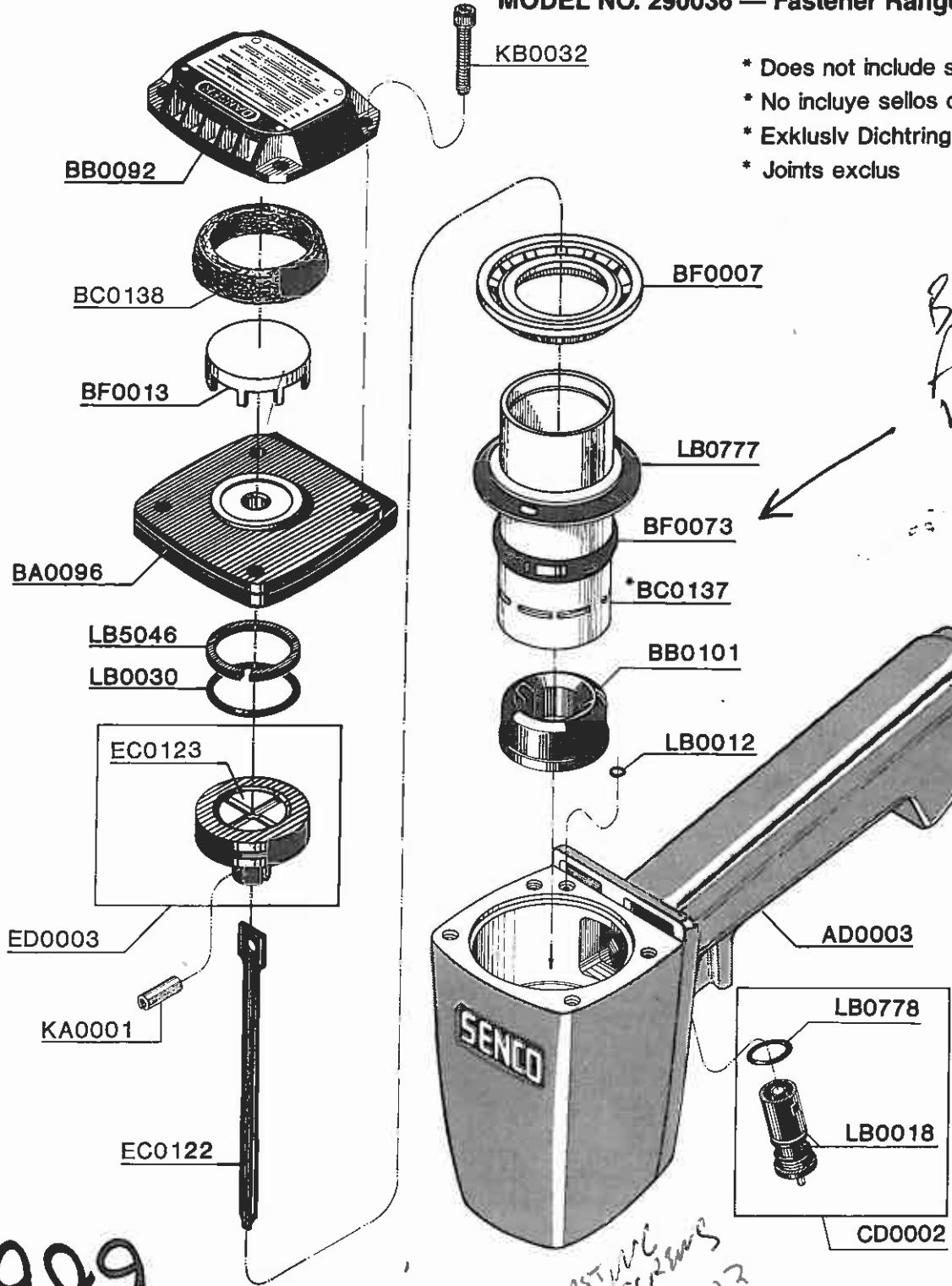


REPLACEMENT PARTS CHART  
**SFN1 NAILER**

MODEL NO. 290004 — Fastener Range: DA11-DA19  
MODEL NO. 290036 — Fastener Range: DA11-DA21

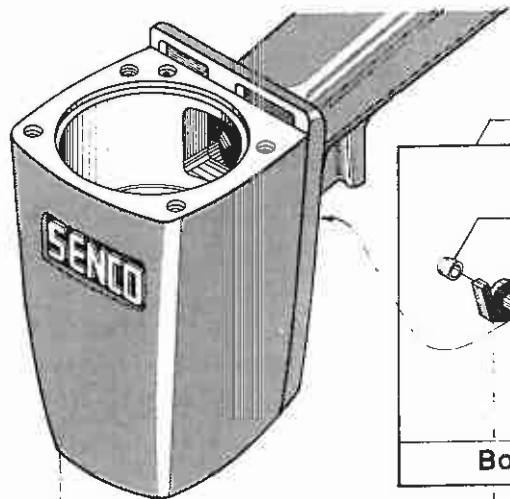


- \* Does not include seals
- \* No incluye sellos de gomas
- \* Exklusiv Dichtringe
- \* Joints exclus

*BF0073  
FLAT  
WASHER  
W/  
THIN  
LIP  
(PRE 1994)*

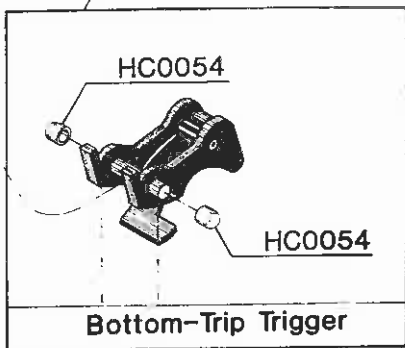
*CASTING  
SCREENS  
KB 3122*

*1989*

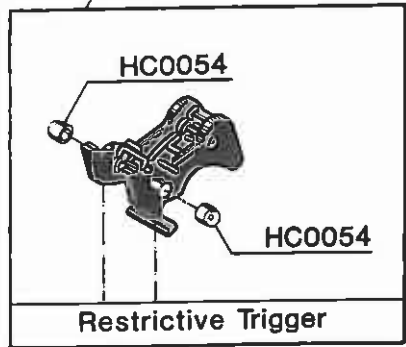


HD0015

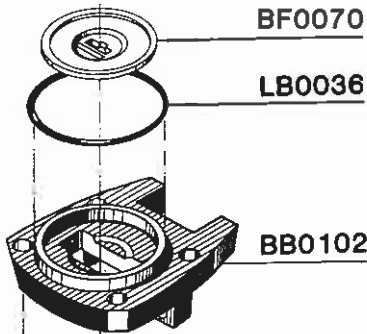
HD0016



Bottom-Trip Trigger



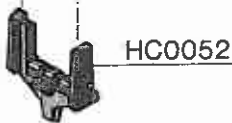
Restrictive Trigger



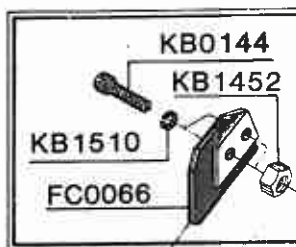
BF0070

LB0036

BB102



HC0052



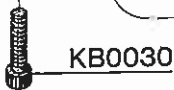
KB0144

KB1452

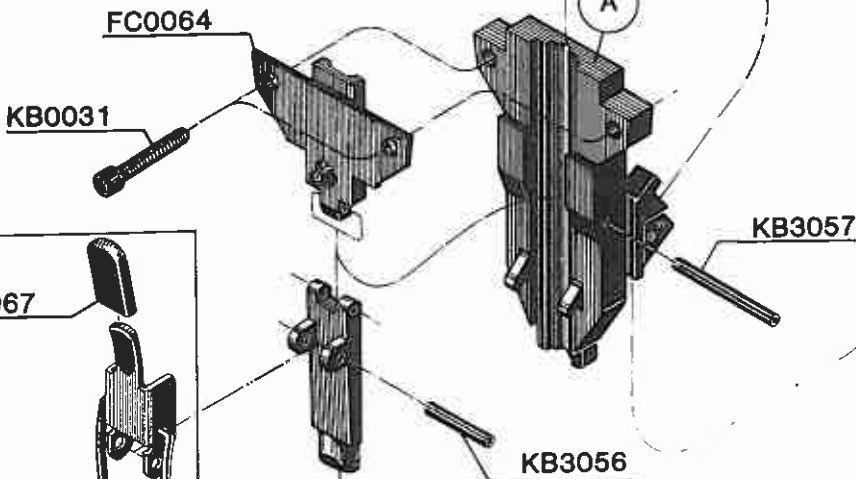
KB1510

FC0066

MAGAZINE BLOCK-OUTS MAY BE REQUIRED WHEN DRIVING SHORTER FASTENERS. FOR INFORMATION, CONTACT YOUR Senco REPRESENTATIVE.



KB0030



FC0064

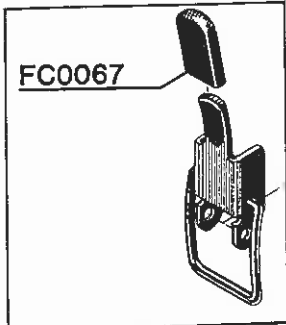
KB0031

KB3057

KB3056

A

B



FC0067

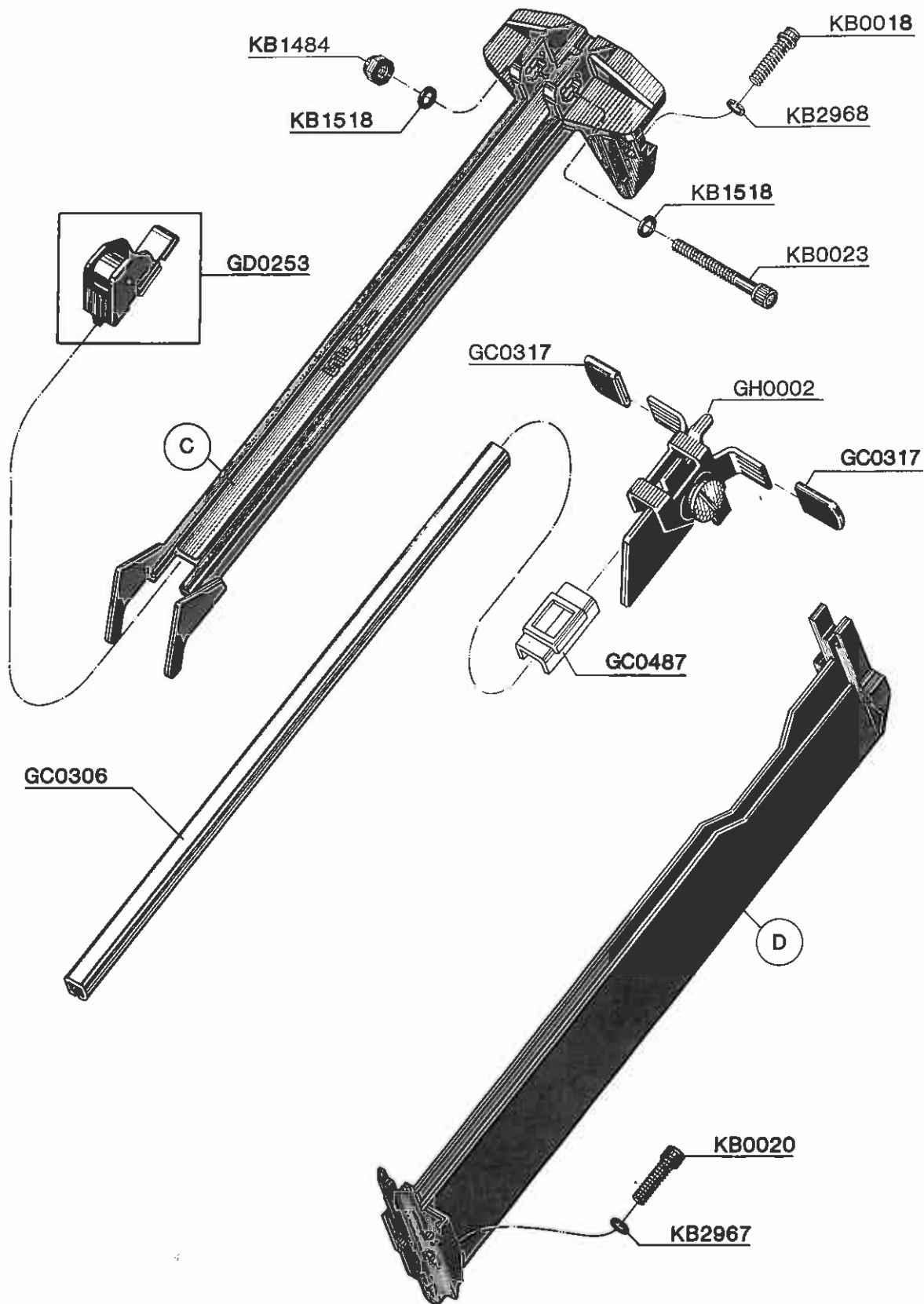
FA0151



KB4133

E

F



| MODEL  | A      | B      | C      | D      | E      | F      |
|--------|--------|--------|--------|--------|--------|--------|
| 290004 | FC0063 | FC0065 | GC0309 | GB0197 | HB0185 | HF0002 |
| 290036 | FC0079 | FC0127 | GC0319 | GB0200 | HC0099 | HF0004 |