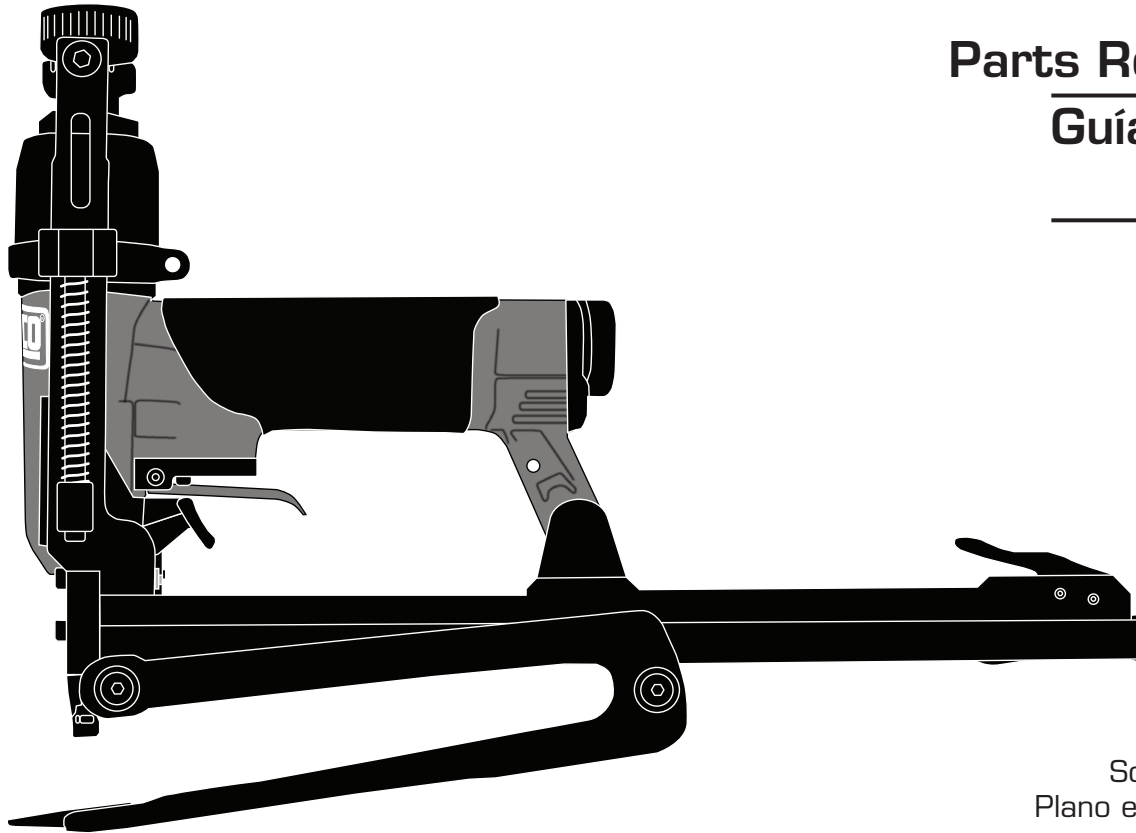


# F75LXP

## 18 Ga. 7/16" Crown Long Reach Anvil Clinching Stapler



**Parts Reference Guide**  
**Guía de referencia**  
**de piezas**  
**Pièces Guide**  
**de référence**

Schematic Drawings Inside  
Plano esquemático en el interior  
Schéma intérieur



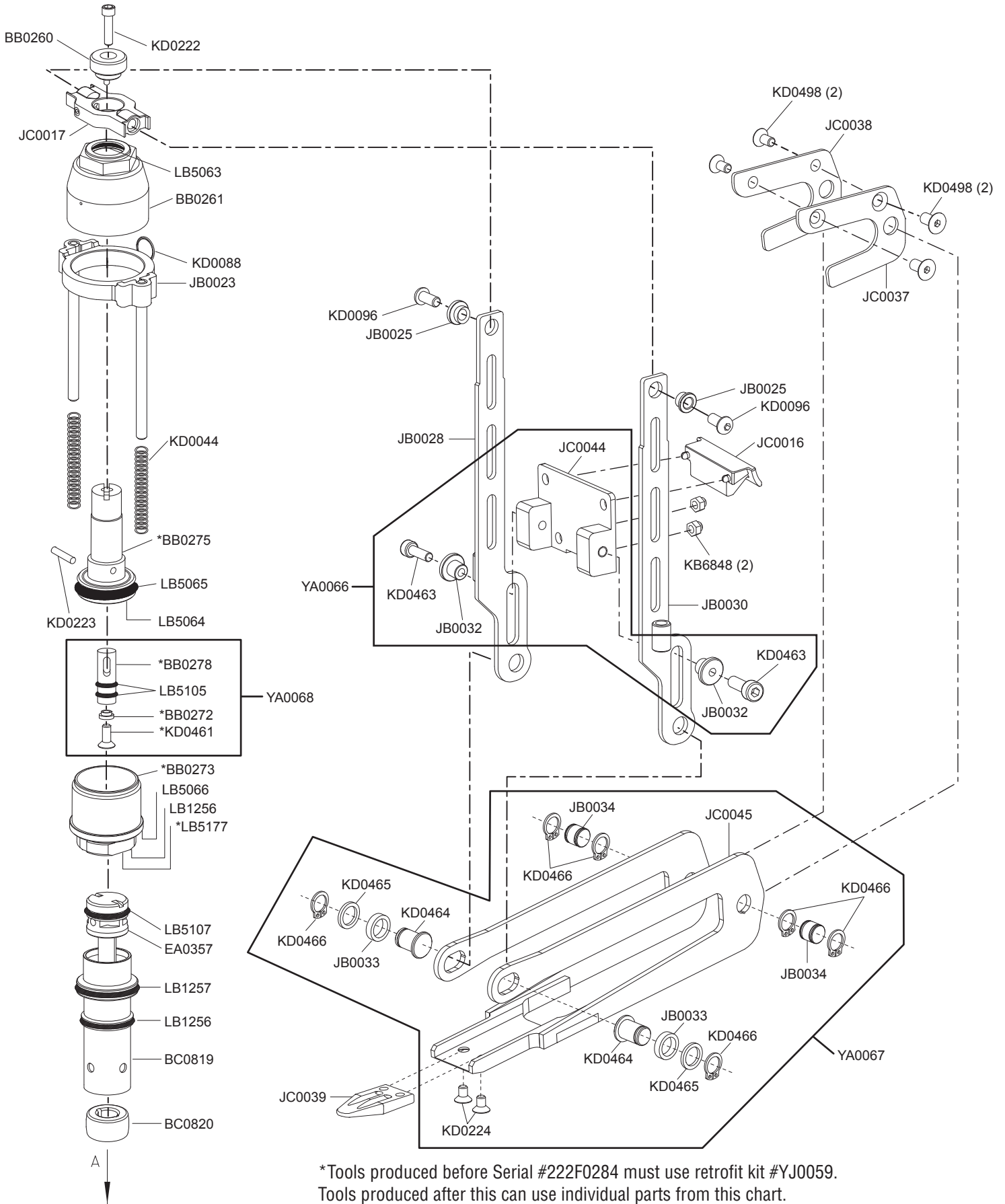
**NFG08J-2 • Revised July 28, 2023 (Replaces 7/26/2022)**

KYOCERA-SENCO Industrial Tools, Inc.  
8450 Broadwell Road  
Cincinnati, OH 45244  
1-800-543-4596  
www.senco.com

Questions? Comments? call SENCO's toll-free Action-Line: 1-800-543-4596  
(North and South America Only) or email: [toolprof@senco.com](mailto:toolprof@senco.com)

¿Tiene preguntas? ¿Comentarios? Llame a la línea gratuita de acción de Senco: 1-800-543-4596  
(sólo para América del Norte y del Sur) o envíe un correo electrónico: [toolprof@senco.com](mailto:toolprof@senco.com)

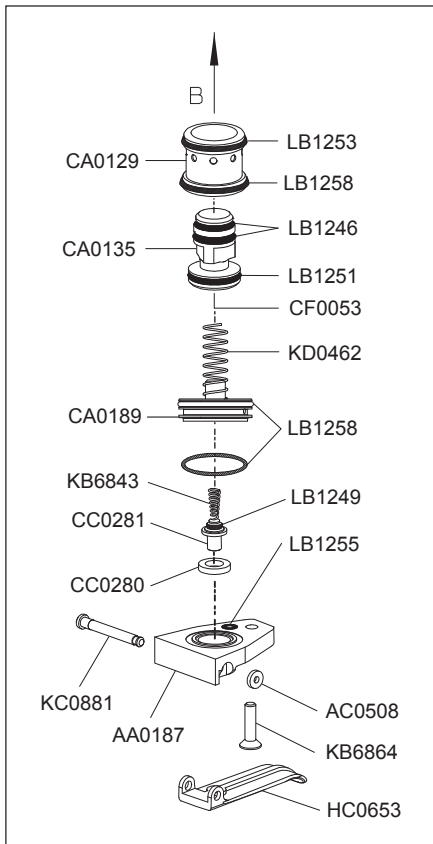
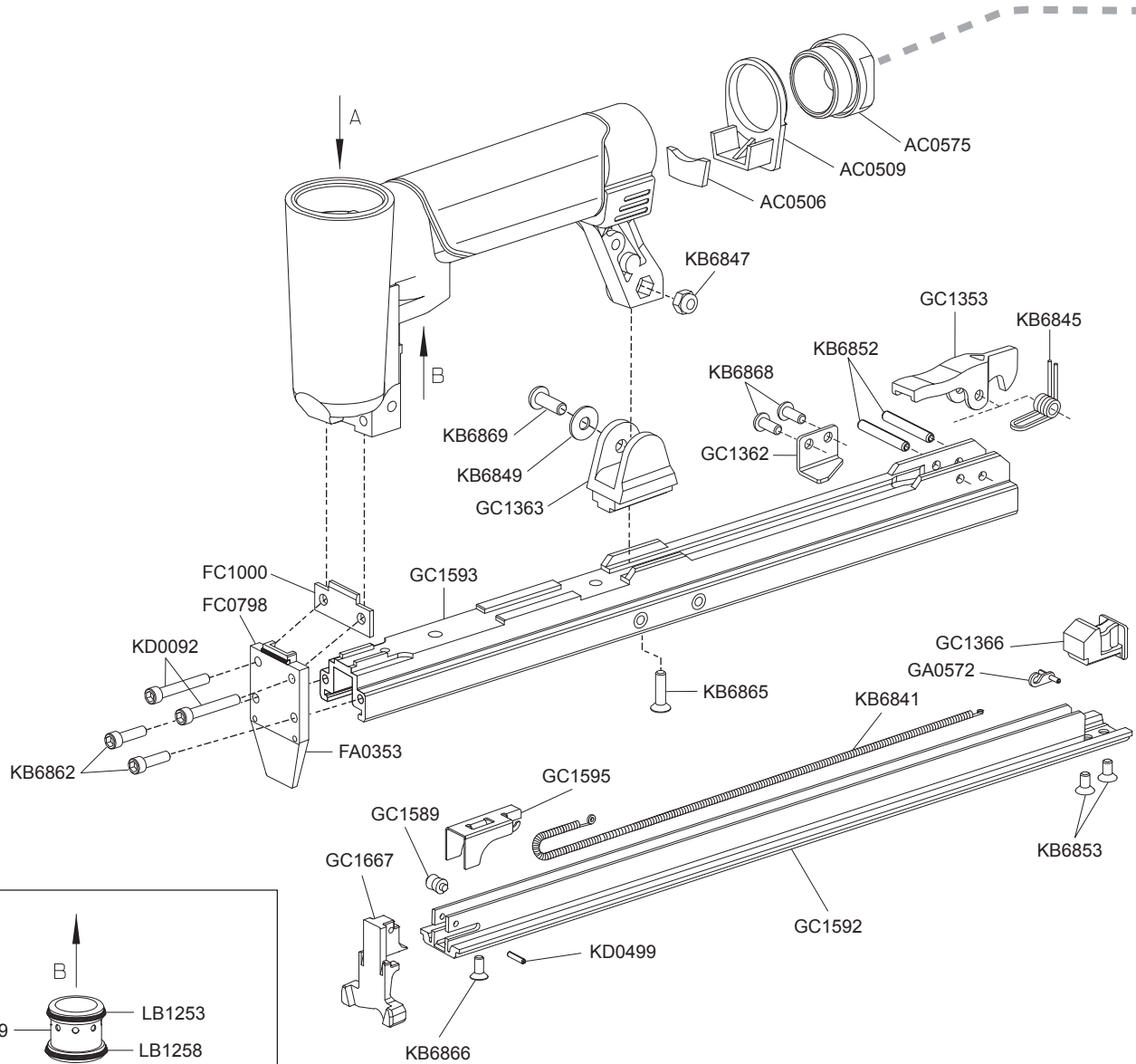
Des questions? Des commentaires? Communiquez avec le service d'assistance sans frais de Senco : 1-800-543-4596  
(Amérique du Nord et Amérique du Sud seulement) ou envoyer un courriel: [toolprof@senco.com](mailto:toolprof@senco.com)



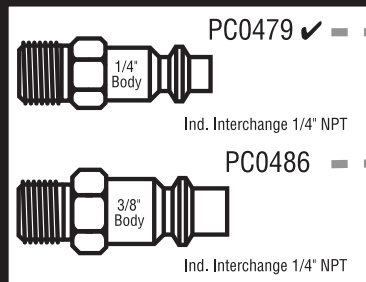
\*Tools produced before Serial #222F0284 must use retrofit kit #YJ0059.  
 Tools produced after this can use individual parts from this chart.

# 18 Ga. 7/16" Crown Long Reach Anvil Clinching Stapler

# F75LXP



Available Plugs (Not Included with Tool)  
 Enchufes disponibles (No se incluyen con la herramienta)  
 Fiches offertes (Non incluses avec l'outil)



✓ Recommended Plug

Plugs shown smaller than actual size

✓ Enchufe Recomendado

Los enchufes se muestran más pequeños del tamaño real

✓ Fiche Recommandée

Les fiches illustrées sont plus petites que les formats réels



# 18 Ga. 7/16" Crown Long Reach Anvil Clinching Stapler

# F75LXP

## REPLACEMENT PARTS LIST • LISTA DE PARTES DE REPUESTO • LISTE DE PIÈCES DE RECHANGE

PART NO.	DESCRIPTION	DESCRIPCIÓN	DÉSIGNATION
AA0187	TRIGGER PLATE CPL.	PLACA DE GATILLO	PLAQUE DE GACHETTE
AC0506	SILENCER	SILENCIADOR	SILENCIEUX
AC0508	RETAINER	JUNTA TÓRICA	RETENUE
AC0509	SILENCER CAP	TAPA	BOUCHON
AC0575	END CAP	TAPA	BOUCHON
BB0260	ADJUSTER	AMORTIGUADOR	AMORTISSEUR
BB0261	CAP	TAPA	BOUCHON
BB0272	BUSHING	CASQUILLO	DOUILLE
BB0273	BODY	CARCASA	CORPS
BB0278	PISTON	PISTON	PISTON
BB0275	JAW PISTON	CILINDRO	CYLINDRE
BC0819	CYLINDER	CILINDRO	CYLINDRE
BC0820	BUMPER	TOPE	ARRÊT
CA0129	BUSHING	CASQUILLO	DOUILLE
CA0135	VALVE PISTON CPL.	VALVULA	VALVE
CA0189	TRIGGER	GATILLO	GACHETTE
CC0280	SEAL	SELLO	JOINT
CC0281	REMOTE STEM	STEM REMOTO	STEM REMOTE
CF0053	BUFFER	TOPE	TAMPON
EA0357	DRIVER PISTON	PISTON	PISTON
FA0353	DRIVER PLATE	PLACA	PLAQUE
FC0798	SEAL	SELLO	JOINT
FC1000	PLATE	PLACA	PLAQUE
GA0572	HOOK	GANCHO	CROCHET
GC1353	LATCH	PESTILLO	LOQUET
GC1362	STOP	TOPE	ARRÊT
GC1363	BRACKET	SOPORTE	SUPPORT
GC1366	LATCH	PESTILLO	LOQUET
GC1589	ROLLER	RODILLO	ROULEAU
GC1593	LOADER	CARGADOR	MAGASIN
GC1595	FEEDER	ALIMENTADOR	CHARGEUR
GC1667	PLATE	PLACA	PLAQUE
HA0354	TRIGGERING ASY	ASAMBLE DE GATILLO	GACHETTE D'ASSEMBLÉE
HC0653	TRIGGER	GATILLO	GACHETTE
JB0023	JAW RING	ANILLO	ANNEAU
JB0025	BUSHING	CASQUILLO	DOUILLE
JB0026	BUSHING	CASQUILLO	DOUILLE
JB0028	RIGHT PLATE	PLACA	PLAQUE
JB0030	LEFT PLATE	PLACA	PLAQUE
JB0032	BUSHING	CASQUILLO	DOUILLE
JB0033	BUSHING	CASQUILLO	DOUILLE
JB0034	BUSHING	CASQUILLO	DOUILLE
JC0016	GUARD	DEFENSA	PROTECTION
JC0017	YOKE	HORQUILLA	ÉTRIER
JC0037	YOKE	HORQUILLA	ÉTRIER
JC0038	YOKE	HORQUILLA	ÉTRIER
JC0039	ANVIL NOSE	NARIZ DEL YUNQUE	NEZ D'ENCLUME
JC0044	YOKE	HORQUILLA	ÉTRIER
JC0045	ANVIL (JAW) BODY	CUERPO DEL YUNQUE (MANDIBULA)	CORPS D'ENCLUME (MÂCHOIRE)
KB6841	SPRING	RESORTE	RESSORT
KB6843	SPRING	RESORTE	RESSORT
KB6845	SPRING	RESORTE	RESSORT
KB6847	NUT	TUERCA	ÉCROU
KB6849	WASHER	ARANDELA	RONDELLE
KB6852	PIN	PASADOR	GOUPILLE
KB6853	SCREW	TORNILLO	VIS
KB6862	SCREW	TORNILLO	VIS
KB6864	SCREW	TORNILLO	VIS
KB6866	SCREW	TORNILLO	VIS
KB6868	SCREW	TORNILLO	VIS
KC0881	PIN	PASADOR	GOUPILLE
KD0044	SPRING	RESORTE	RESSORT
KD0088	RING	ANILLO	ANNEAU
KD0091	PIN	PASADOR	GOUPILLE
KD0092	SEAL	SELLO	JOINT
KD0093	SCREW	TORNILLO	VIS
KD0096	SCREW	TORNILLO	VIS
KD0222	SCREW	TORNILLO	VIS
KD0223	PIN	PASADOR	GOUPILLE
KD0224	SCREW	TORNILLO	VIS
KD0461	SCREW	TORNILLO	VIS
KD0462	SPRING	RESORTE	RESSORT
KD0463	SCREW	TORNILLO	VIS
KD0464	BUSHING	CASQUILLO	DOUILLE
KD0465	WASHER	ARANDELA	RONDELLE
KD0466	RETAINING RING	ANILLO DE RETENCIÓN	ANNEAU DE RETENUE
KD0498	SCREW	TORNILLO	VIS
KD0499	PIN	PASADOR	GOUPILLE
LB1246	SEAL	SELLO	JOINT
LB1249	SEAL	SELLO	JOINT
LB1251	SEAL	SELLO	JOINT
LB1253	SEAL	SELLO	JOINT
LB1255	SEAL	SELLO	JOINT
LB1256	SEAL	SELLO	JOINT
LB1257	SEAL	SELLO	JOINT
LB1258	SEAL	SELLO	JOINT
LB5063	SEAL	SELLO	JOINT
LB5064	SEAL	SELLO	JOINT
LB5065	SEAL	SELLO	JOINT
LB5066	SEAL	SELLO	JOINT
LB5105	SEAL	SELLO	JOINT
LB5107	SEAL	SELLO	JOINT
LB5177	SEAL	SELLO	JOINT
YA0066	SUPPORT KIT	JUEGO DE SOPORTE	TROUSSE DE SOUTIEN
YA0067	ANVIL JAW KIT	KIT DE MANDIBULAS YUNQUE	KIT DE MACHOIRES D'ENCLUME
YA0068	PISTON KIT	JUEGO DE PISTONES	KIT PISTONS