

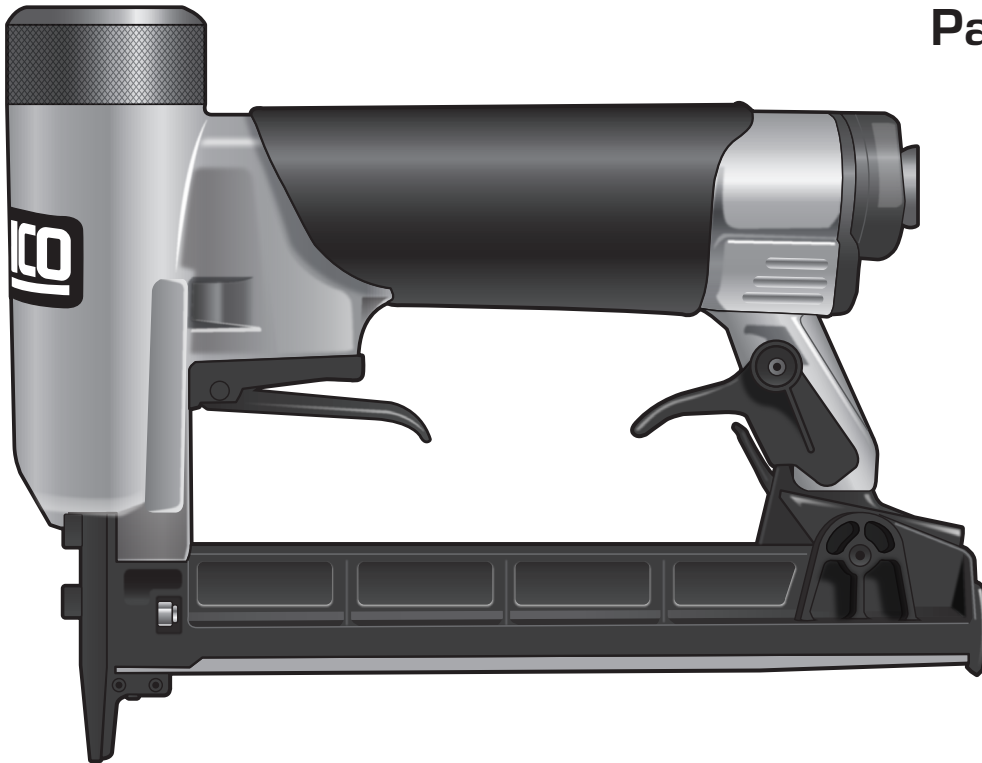
SFT10XP

Fine Wire Stapler

Parts Reference Guide

Guía de referencia
de piezas

Pièces Guide
de référence



Repair Kit

YK0802
YK0803
YK0864

Schematic Drawings Inside
Plano esquemático en el interior
Schéma intérieur



NFG06S-R • July 26, 2022 (Replaces 1/26/19)

KYOCERA-SENCO Industrial Tools, Inc.
8450 Broadwell Road
Cincinnati, OH 45244
1-800-543-4596
www.senco.com

Questions? Comments? call SENCO's toll-free Action-Line: 1-800-543-4596
(North and South America Only) or email: toolprof@senco.com

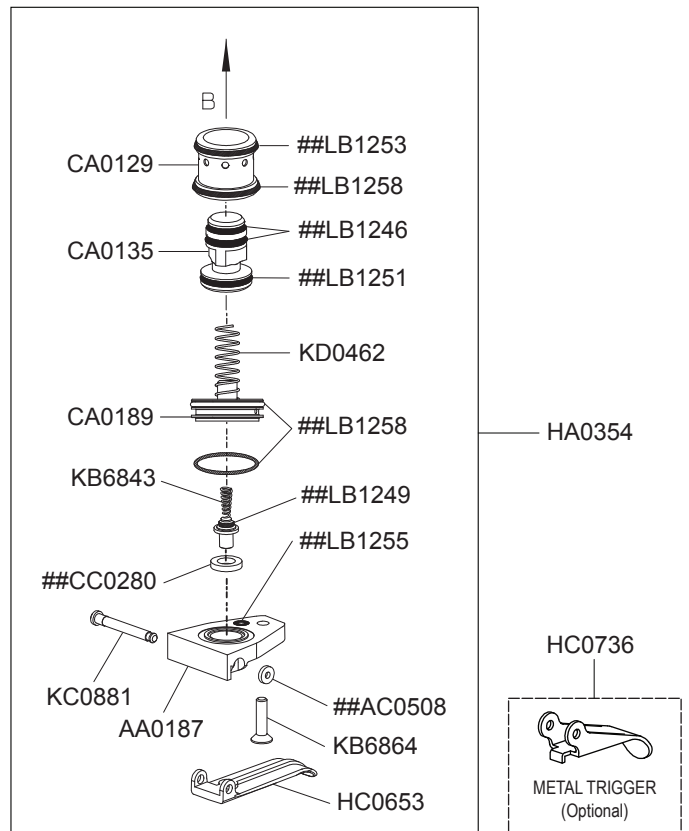
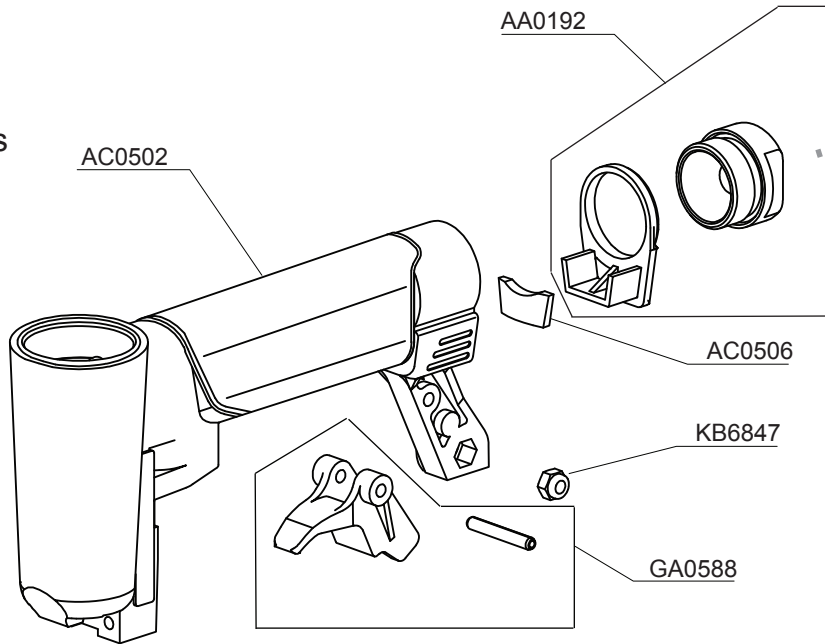
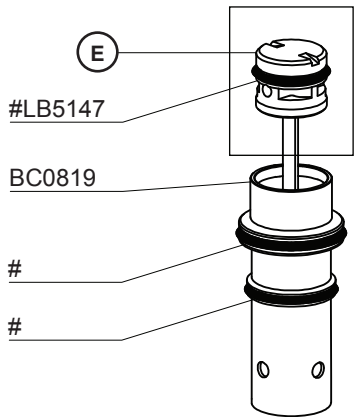
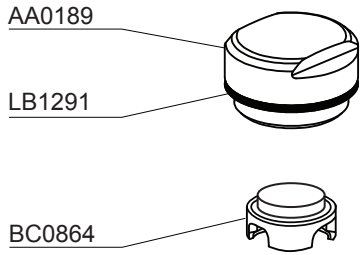
¿Tiene preguntas? ¿Comentarios? Llame a la línea gratuita de acción de Senco: 1-800-543-4596
(sólo para América del Norte y del Sur) o envíe un correo electrónico: toolprof@senco.com

Des questions? Des commentaires? Communiquez avec le service d'assistance sans frais de Senco : 1-800-543-4596
(Amérique du Nord et Amérique du Sud seulement) ou envoyer un courriel: toolprof@senco.com



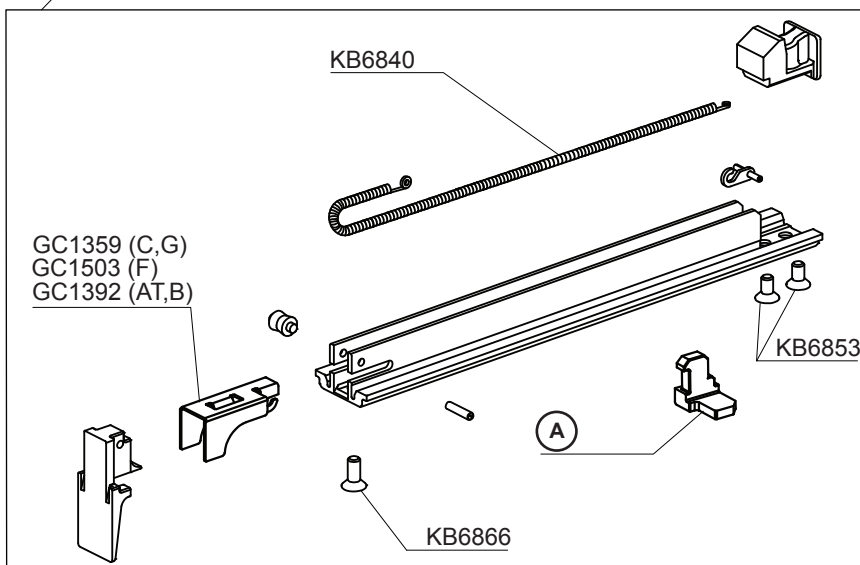
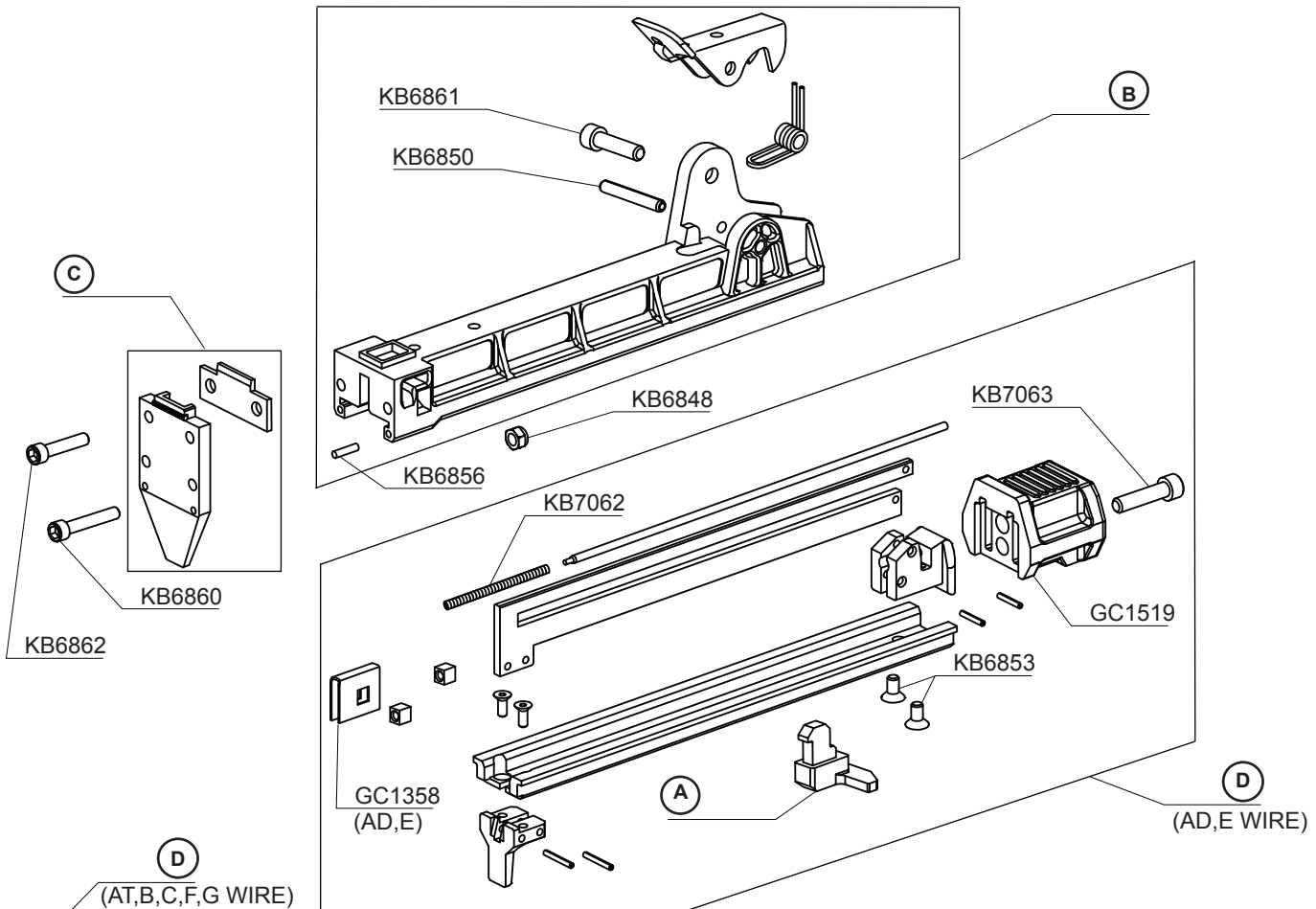
- * Does Not Include O-rings
- * No incluye sellos de gomas
- * Joints exclus

Contents of YK0802 Kit
 ## Contents of YK0803 Kit
 E-Wire Safety - YK0864 Kit



Tool #	
6S0001N A/D WIRE (US)	6S2001N A/D (EU)
	6S2061N AT (EU)
6S0011N B WIRE (US)	6S2011N B (EU)
6S0021N C WIRE (US)	6S2021N C (EU)
6S0031N E WIRE (US)	6S2031N E (EU)
6S0041N F WIRE (US)	6S2041N F (EU)
6S0051N G WIRE (US)	6S2051N G (EU)

Model	(A)	(B)	(C)	(D)	(E)
A/D WIRE	GC1521	GA0581	FA0283	GA0697	EA0247
AT WIRE	GC1368	GA0584	FA0294	GA0596	EA0256
B WIRE	GC1368	GA0584	FA0286	GA0596	EA0245
C WIRE	GC1368	GA0580	FA0282	GA0589	EA0244
E WIRE	GC1521	GA0581	FA0289	GA0697	EA0250
F WIRE (US)	GC1504	GA0584	FA0288	GA0694	EA0248
F WIRE (EU)	GC1504	GA0584	FA0288	GA0694	EA0283
G WIRE	GC1368	GA0580	FA0292	GA0589	EA0251



Available Plugs
(Not Included with Tool)

	PC0479 ✓
	PC0486
	PC0468 ✓
	PC0474

✓ **Recommended Plugs**
Plugs shown smaller than actual size



REPLACEMENT PARTS LIST • LISTA DE PARTES DE REPUESTO • LISTE DE PIÈCES DE RECHANGE

PART NO.	DESCRIPTION	DESCRIPCIÓN	DÉSIGNATION
AA0187	TRIGGER PLATE ASY	GATILLO PLACA	GACHETTE PLAQUE
AA0189	CAP ASY	TAPA	BOUCHON
AA0192	CAP ASY	TAPA	BOUCHON
AC0502	MAINBODY	CARCASA	CORPS
AC0506	MUFFLER	SILENCIADOR	SILENCIEUX
AC0508	RETAINER	JUNTA TÓRICA	RETENUE
BC0819	CYLINDER SLEEVE	CILINDRO	CYLINDRE
BC0820	BUMPER	AMORTIGUADOR	AMORTISSEUR
BC0864	VALVE	VÁLVULA	VALVE
CA0129	BUSHING	CASQUILLO	DOUILLE
CA0135	VALVE PISTON CPL.	VALVULA	VALVE
CA0189	TRIGGER	GATILLO	GACHETTE
CC0280	SEAL	SELLO	JOINT
EA0244	PISTON DRIVER ASY (C)	PISTÓN/ACCIONADOR	PISTON/MOTEUR
EA0245	PISTON DRIVER ASY (B)	PISTÓN/ACCIONADOR	PISTON/MOTEUR
EA0247	PISTON DRIVER ASY (AD)	PISTÓN/ACCIONADOR	PISTON/MOTEUR
EA0248	PISTON DRIVER ASY (F-US)	PISTÓN/ACCIONADOR	PISTON/MOTEUR
EA0250	PISTON DRIVER ASY (E)	PISTÓN/ACCIONADOR	PISTON/MOTEUR
EA0251	PISTON DRIVER ASY (G)	PISTÓN/ACCIONADOR	PISTON/MOTEUR
EA0256	PISTON DRIVER ASY (AT)	PISTÓN/ACCIONADOR	PISTON/MOTEUR
EA0283	PISTON DRIVER ASY (F-EU)	PISTÓN/ACCIONADOR	PISTON/MOTEUR
FA0282	FRONT PLATE ASY (C)	PLACA	PLAQUE
FA0283	FRONT PLATE ASY (AD)	PLACA	PLAQUE
FA0286	FRONT PLATE ASY (B)	PLACA	PLAQUE
FA0288	FRONT PLATE ASY (F)	PLACA	PLAQUE
FA0289	FRONT PLATE ASY (E)	PLACA	PLAQUE
FA0292	FRONT PLATE ASY (G)	PLACA	PLAQUE
FA0294	FRONT PLATE ASY (AT)	PLACA	PLAQUE
GA0580	MAGAZINE ASY (C,G)	ASAMBLE DE CARGADOR	MAGASIN D'ASSEMBLÉE
GA0581	MAGAZINE ASY (AD,E)	ASAMBLE DE CARGADOR	MAGASIN D'ASSEMBLÉE
GA0584	MAGAZINE ASY (B,F,AT)	ASAMBLE DE CARGADOR	MAGASIN D'ASSEMBLÉE
GA0588	LATCH ASY	ASAMBLE DE CARGADOR	MAGASIN D'ASSEMBLÉE
GA0589	RAIL ASY (C,G)	ASAMBLE DE CARRIL	RAIL D'ASSEMBLÉE
GA0596	RAIL ASY (AT,B)	ASAMBLE DE CARRIL	RAIL D'ASSEMBLÉE
GA0694	LATCH (F)	UÑETA	DOIGT DE RETENUE
GA0697	RAIL ASY (AD,E)	ASAMBLE DE CARRIL	RAIL D'ASSEMBLÉE
GC1358	FEEDER SHOE (AD,E)	ALIMENTADOR	POUSSOIR
GC1359	FEEDER SHOE (C,G)	ALIMENTADOR	POUSSOIR
GC1368	LATCH (B,C,G,AT)	UÑETA	DOIGT DE RETENUE
GC1392	FEEDER SHOE (AT,B)	ALIMENTADOR	POUSSOIR
GC1503	FEEDER SHOE(F)	ALIMENTADOR	POUSSOIR
GC1504	LATCH (F)	UÑETA	DOIGT DE RETENUE
GC1519	END CAP (AD,E)	TAPA	BOUCHON
GC1521	LATCH (AD,E)	UÑETA	DOIGT DE RETENUE
HA0354	TRIGGERING ASY	ASAMBLE DE GATILLO	GACHETTE D'ASSEMBLÉE
HC0653	TRIGGER	GATILLO	GACHETTE
KB6840	SPRING	RESORTE	RESSORT
KB6843	SPRING	RESORTE	RESSORT
KB6847	NUT	TUERCA	ÉCROU
KB6848	NUT	TUERCA	ÉCROU
KB6850	PIN	PASADOR	GOUPILLE
KB6853	SCREW	TORNILLO	VIS
KB6856	PIN	PASADOR	GOUPILLE
KB6860	SCREW	TORNILLO	VIS
KB6861	SCREW	TORNILLO	VIS
KB6862	SCREW	TORNILLO	VIS
KB6864	SCREW	TORNILLO	VIS
KB6866	SCREW	TORNILLO	VIS
KB7062	SPRING	RESORTE	RESSORT
KB7063	SCREW	TORNILLO	VIS
KC0881	PIN	PASADOR	GOUPILLE
KD0462	SPRING	RESORTE	RESSORT
LB1246	SEAL	SELLO	JOINT
LB1249	SEAL	SELLO	JOINT
LB1251	SEAL	SELLO	JOINT
LB1253	SEAL	SELLO	JOINT
LB1255	SEAL	SELLO	JOINT
LB1258	SEAL	SELLO	JOINT
LB1258	SEAL	SELLO	JOINT
LB1291	O-RING	SELLO	JOINT
LB5147	O-RING	SELLO	JOINT