

SENCO[®]

SN952XP

Full Round Head Nailer



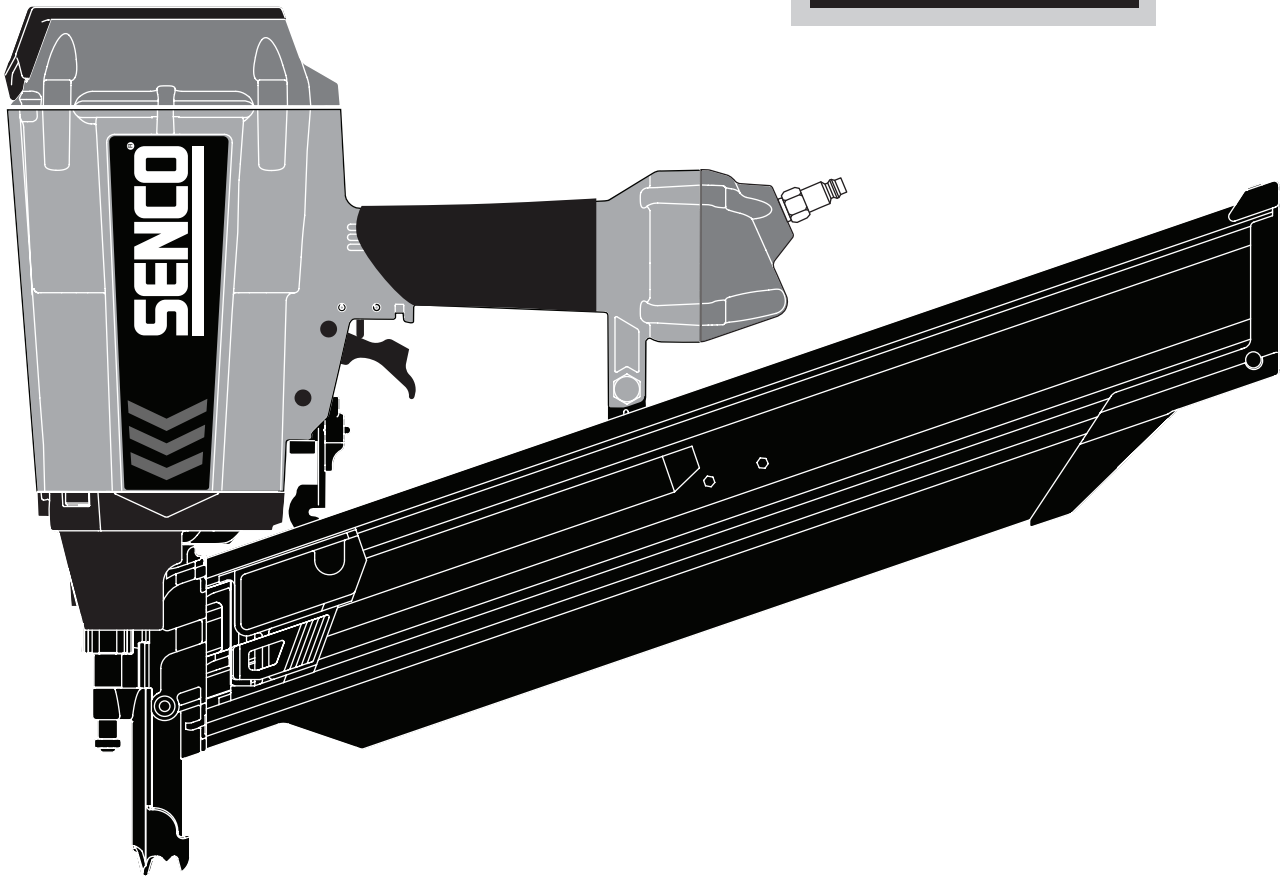
Parts Reference Guide



Repair Kits

YK0444

YK0768



*** Schematic drawings inside**

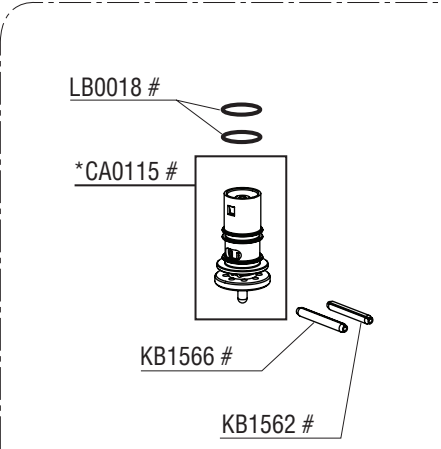
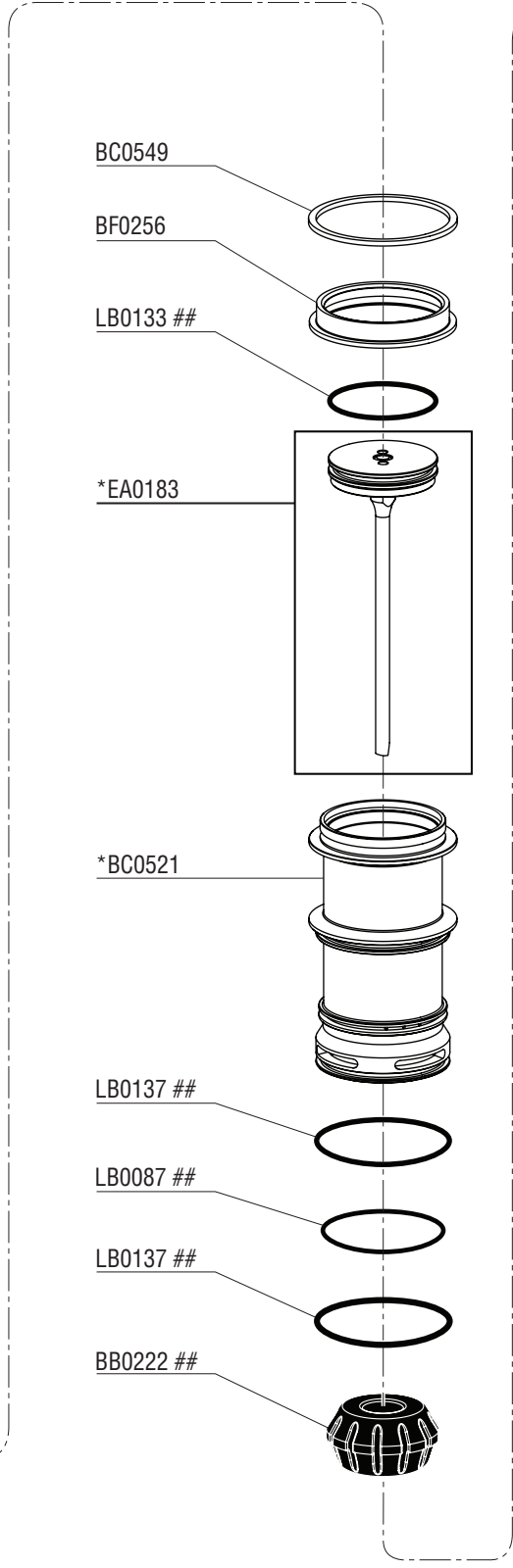
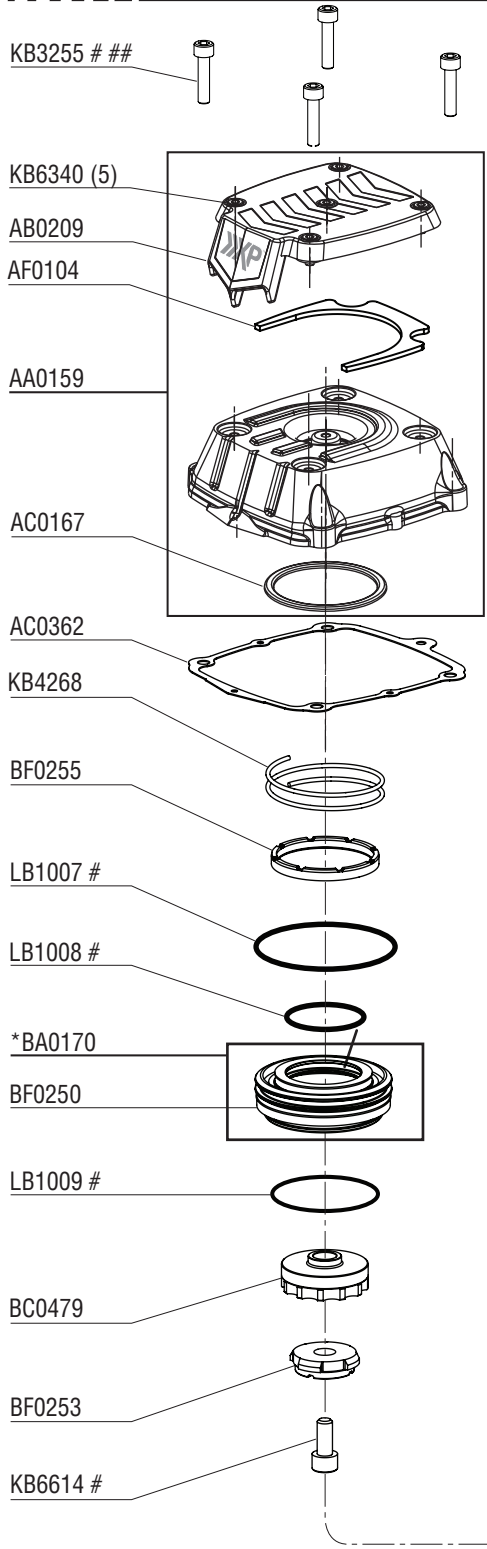
Questions? Comments? call Senco's toll-free Action-line:
1-800-543-4596 (North & south America only)
or e-mail: toolprof@senco.com

Senco Brands Inc.
4270 Ivy Pointe Blvd.
Cincinnati, Ohio 45245
Visit Our Website: www.senco.com
EU Website: www.verpa-senco.com



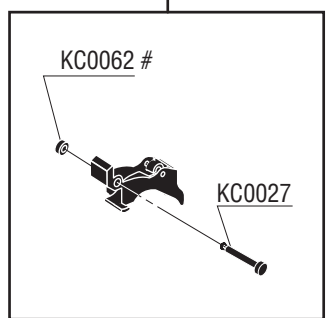
SN952XP Full Round-Head Nailer

SENCO®



** Includes O-rings
 ** Sellos de gomas
 ** Mit Dichtringe
 ** Joints

* Does Not Include O-rings
 * No incluye sellos de gomas
 * Ohne Dichtringe
 * Joints exclus

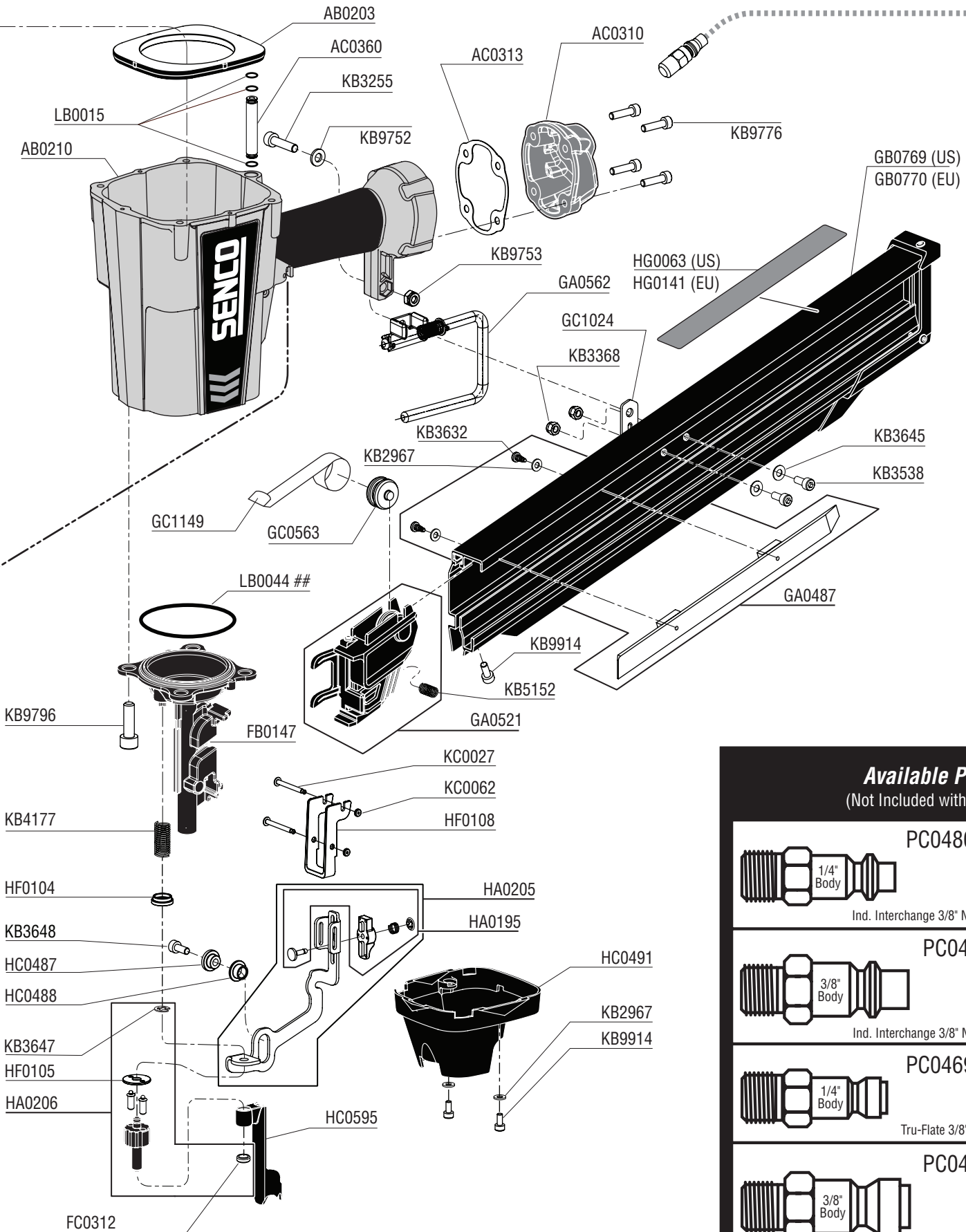


HA0190

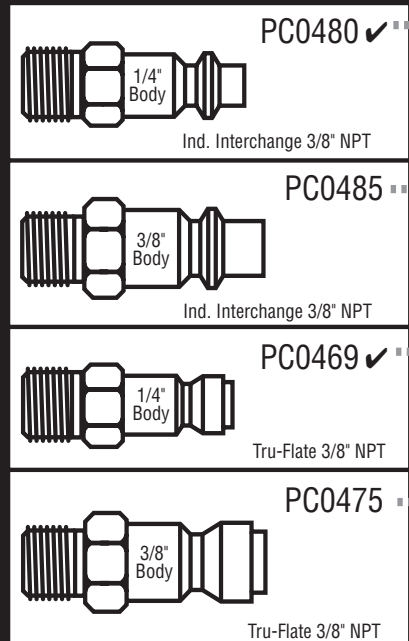
Contents of YK0444 Repair Kit
 ## Contents of YK0768 Repair Kit

SN952XP Full Round-Head Nailer

SENCO



Available Plugs (Not Included with Tool)



✓ **Recommended Plugs**
Plugs shown smaller than actual size

SN952XP Full Round Head Nailer

REPLACEMENT PARTS LIST • LISTA DE PARTES DE REPUESTO • ERSATSTEILE-LISTE • LISTE DE PIÈCES DE RECHANGE

| PART NO. | DESCRIPTION | DESCRIPCIÓN | BESCHREIBUNG | DÉSIGNATION |
|----------|------------------------------|----------------------------------|----------------------------------|-----------------------------------|
| AA0159 | CAP (US)..... | TAPA..... | KAPPE..... | BOUCHON |
| AB0203 | PRESSURE PLATE..... | SEAL..... | DICHTUNG..... | JOINT |
| AB0209 | DEFLECTOR..... | DESVIADOR..... | ABWEISER..... | DÉFLECTEUR |
| AB0210 | MAIN BODY..... | CARCASA..... | GEHÄUSE..... | CORPS |
| AC0167 | BUMPER..... | AMORTIGUADOR..... | PUFFER..... | AMORTISSEUR |
| AC0310 | END CAP..... | TAPA TERMINAL..... | ABSCHLUßKAPPE..... | BOUCHON D'EXTRÉMITÉ DE RAIL |
| AC0313 | GASKET..... | SEAL..... | DICHTUNG..... | JOINT |
| AC0360 | TUBE..... | CILINDRO..... | ZYLINDER..... | CYLINDRE |
| AC0362 | GASKET..... | SEAL..... | DICHTUNG..... | JOINT |
| AF0104 | SEAL, EXHAUST DEFLECTOR..... | SELLO..... | DICHTUNG..... | JOINT |
| BA0170 | VALVE ASSY..... | ASAMBLE DE VÁLVULA..... | VENTIL-ZUSAMMENBAU..... | VALVE D'ASSEMBLÉE |
| BB0222 | STOP..... | TOPE..... | PUFFER..... | ARRÊT |
| BC0479 | VALVE..... | VÁLVULA..... | VENTIL..... | VALVE |
| BC0521 | CYLINDER..... | CILINDRO..... | ZYLINDER..... | CYLINDRE |
| BC0549 | RING..... | ANILLO..... | REIFEN..... | ANNEAU |
| BF0250 | SEAL..... | SELLO..... | DICHTUNG..... | JOINT |
| BF0253 | BUMPER..... | AMORTIGUADOR..... | PUFFER..... | AMORTISSEUR |
| BF0255 | BUMPER..... | AMORTIGUADOR..... | PUFFER..... | AMORTISSEUR |
| BF0256 | RETAINER..... | RETÉN..... | SICHERUNGSRING..... | RETENUE |
| CA0115 | VALVE ASSEMBLY..... | ASAMBLE DE VÁLVULA..... | VENTIL-ZUSAMMENBAU..... | VALVE D'ASSEMBLÉE |
| EA0183 | DRIVER ASSY..... | PERCUSOR..... | TREIBER..... | COUTEAU |
| FB0147 | GUIDE BODY..... | PLACA DE NARIZ..... | NAGELFÜHRUNG..... | FRONT |
| FC0312 | RETAINER..... | RETÉN..... | SICHERUNGSRING..... | RETENUE |
| GA0487 | RAIL ASSY..... | ASAMBLE DE CARGADOR..... | MAGAZIN-ZUSAMMENBAU..... | MAGASIN D'ASSEMBLÉE |
| GA0521 | FEEDER SHOE..... | ALIMENTADOR..... | NAGELSCHIEBER..... | POUSSOIR |
| GA0562 | RAFTER HANGER..... | CONJ. DEL GANCHO PARA VIGAS..... | GRUNDPLATTENHAKENBAUGR..... | ENSEMBLE D'ACCROCHAGE SUR CHEVRON |
| GB0769 | MAGAZINE (US)..... | CARGADOR..... | MAGAZIN..... | MAGASIN |
| GB0770 | MAGAZINE (EURO)..... | CARGADOR..... | MAGAZIN..... | MAGASIN |
| GC0563 | ROLLER..... | RODILLO..... | ROLLE..... | GALET |
| GC1024 | BRACKET..... | SOPORTE..... | HALTERUNG..... | SUPPORT DE FIXATION |
| GC1149 | SPRING..... | RESORTE..... | FEDER..... | RESSORT |
| HA0190 | TRIGGER ASSY..... | ASAMBLE DE GATILLO..... | AUSLÖSER..... | ENSEMBLE GÂCHETTE |
| HA0195 | SWITCH ASSY..... | ASAMBLE DE ADAPTADOR..... | ADAPTER-ZUSAMMENBAU..... | ADAPTEUR D'ASSEMBLÉE |
| HA0205 | SAFETY ASSEMBLY..... | ASAMBLE DE SEGURO..... | SICHERHEITSVORRICHTUNG..... | PALPEUR DE SÉCURITÉ |
| HA0206 | WHEEL..... | MANIVELA..... | RÄNDELSCHRAUBE..... | MOLETTE |
| HC0487 | SPACER..... | SEPARADOR..... | DISTANZSTÜCK..... | ENTRETOISE |
| HC0488 | BUSHING..... | CASQUILLO..... | HÜLSE..... | DOUILLE |
| HC0491 | SHROUD..... | PROTECTOR..... | ABDECKUNG..... | CACHE |
| HC0595 | SAFETY ELEMENT..... | ASAMBLE DE SEGURO..... | SICHERHEITSVORRICHTUNG..... | PALPEUR DE SÉCURITÉ |
| HF0104 | RETAINER..... | RETÉN..... | SICHERUNGSRING..... | RETENUE |
| HF0105 | SPACER..... | SEPARADOR..... | DISTANZSTÜCK..... | ENTRETOISE |
| HF0108 | LINER..... | SEPARADOR..... | DISTANZSTÜCK..... | ENTRETOISE |
| HG0063 | LABEL (US)..... | ETIQUETA..... | AUFKLEBER..... | ÉTIQUETTE |
| | (SAFETY PRECAUTIONS)..... | (NORMAS DE SEGURIDAD)..... | (SICHERHEITSHINWEISE)..... | (PRÉCAUTIONS DE SÉCURITÉ) |
| HG0141 | LABEL (EURO)..... | ETIQUETA..... | AUFKLEBER..... | ÉTIQUETTE |
| | (SAFETY PRECAUTIONS)..... | (NORMAS DE SEGURIDAD)..... | (SICHERHEITSHINWEISE)..... | (PRÉCAUTIONS DE SÉCURITÉ) |
| KB1562 | PIN..... | PASADOR..... | STIFT..... | GOUPILLE |
| KB1566 | PIN..... | PASADOR..... | STIFT..... | GOUPILLE |
| KB2967 | WASHER..... | ARANDELA..... | SCHEIBE..... | RONDELLE |
| KB3255 | SCREW..... | TORNILLO..... | SCHRAUBE..... | VIS |
| KB3368 | NUT..... | TUERCA..... | MUTTER..... | ÉCROU |
| KB3538 | SCREW..... | TORNILLO..... | SCHRAUBE..... | VIS |
| KB3632 | SCREW..... | TORNILLO..... | SCHRAUBE..... | VIS |
| KB3645 | WASHER..... | ARANDELA..... | SCHEIBE..... | RONDELLE |
| KB3647 | RETAINER..... | RETÉN..... | SICHERUNGSRING..... | RETENUE |
| KB4177 | SPRING..... | RESORTE..... | FEDER..... | RESSORT |
| KB4268 | SPRING..... | RESORTE..... | FEDER..... | RESSORT |
| KB5152 | SPRING..... | RESORTE..... | FEDER..... | RESSORT |
| KB6340 | SCREW..... | TORNILLO..... | SCHRAUBE..... | VIS |
| KB6614 | SCREW..... | TORNILLO..... | SCHRAUBE..... | VIS |
| KB9752 | WASHER..... | ARANDELA..... | SCHEIBE..... | RONDELLE |
| KB9753 | NUT..... | TUERCA..... | MUTTER..... | ÉCROU |
| KB9776 | SCREW..... | TORNILLO..... | SCHRAUBE..... | VIS |
| KB9796 | SCREW..... | TORNILLO..... | SCHRAUBE..... | VIS |
| KB9914 | SCREW..... | TORNILLO..... | SCHRAUBE..... | VIS |
| KC0027 | PIN..... | PASADOR..... | STIFT..... | GOUPILLE |
| KC0062 | RETAINER..... | RETÉN..... | SICHERUNGSRING..... | RETENUE |
| LB0015 | SEAL..... | SELLO..... | DICHTUNG..... | JOINT |
| LB0018 | SEAL..... | SELLO..... | DICHTUNG..... | JOINT |
| LB0044 | SEAL..... | SELLO..... | DICHTUNG..... | JOINT |
| LB0087 | SEAL..... | SELLO..... | DICHTUNG..... | JOINT |
| LB0133 | SEAL..... | SELLO..... | DICHTUNG..... | JOINT |
| LB0137 | SEAL..... | SELLO..... | DICHTUNG..... | JOINT |
| LB1007 | SEAL..... | SELLO..... | DICHTUNG..... | JOINT |
| LB1008 | SEAL..... | SELLO..... | DICHTUNG..... | JOINT |
| LB1009 | SEAL..... | SELLO..... | DICHTUNG..... | JOINT |
| YK0444 | REPAIR KIT..... | KIT DE REPARACIÓN..... | REPARATUR-INSTALLATIONSSATZ..... | KIT DE RÉPARATION |
| YK0768 | REPAIR KIT..... | KIT DE REPARACIÓN..... | REPARATUR-INSTALLATIONSSATZ..... | KIT DE RÉPARATION |

Questions? Comments? call SENCO's toll-free Action-line: 1-800-543-4596 (North & South America only) or e-mail: toolprof@senco.com