

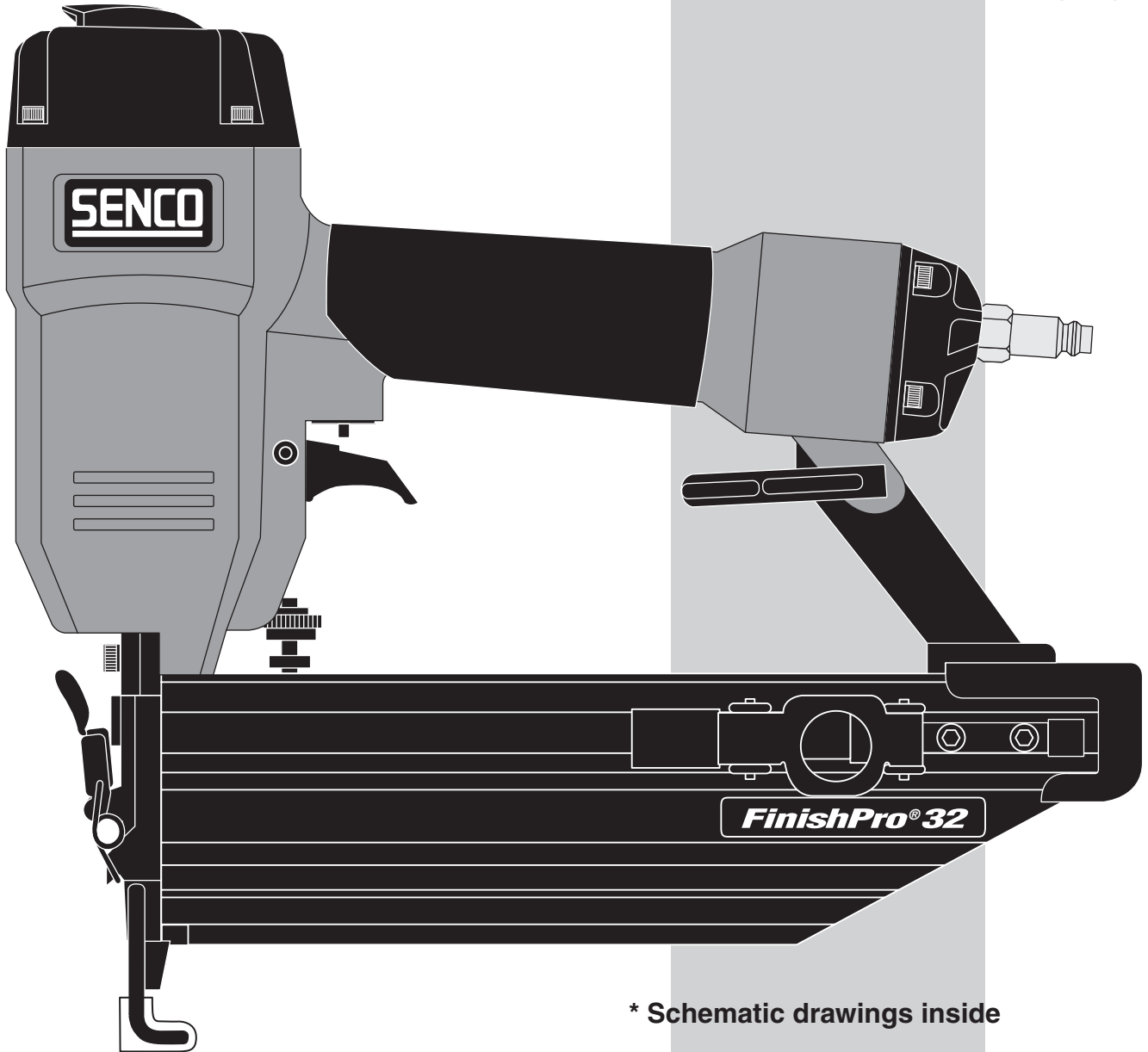
**SENCO**®

# **FinishPro® 32**

## **16 ga. Finish Nailer**



### **Parts Reference Guide**

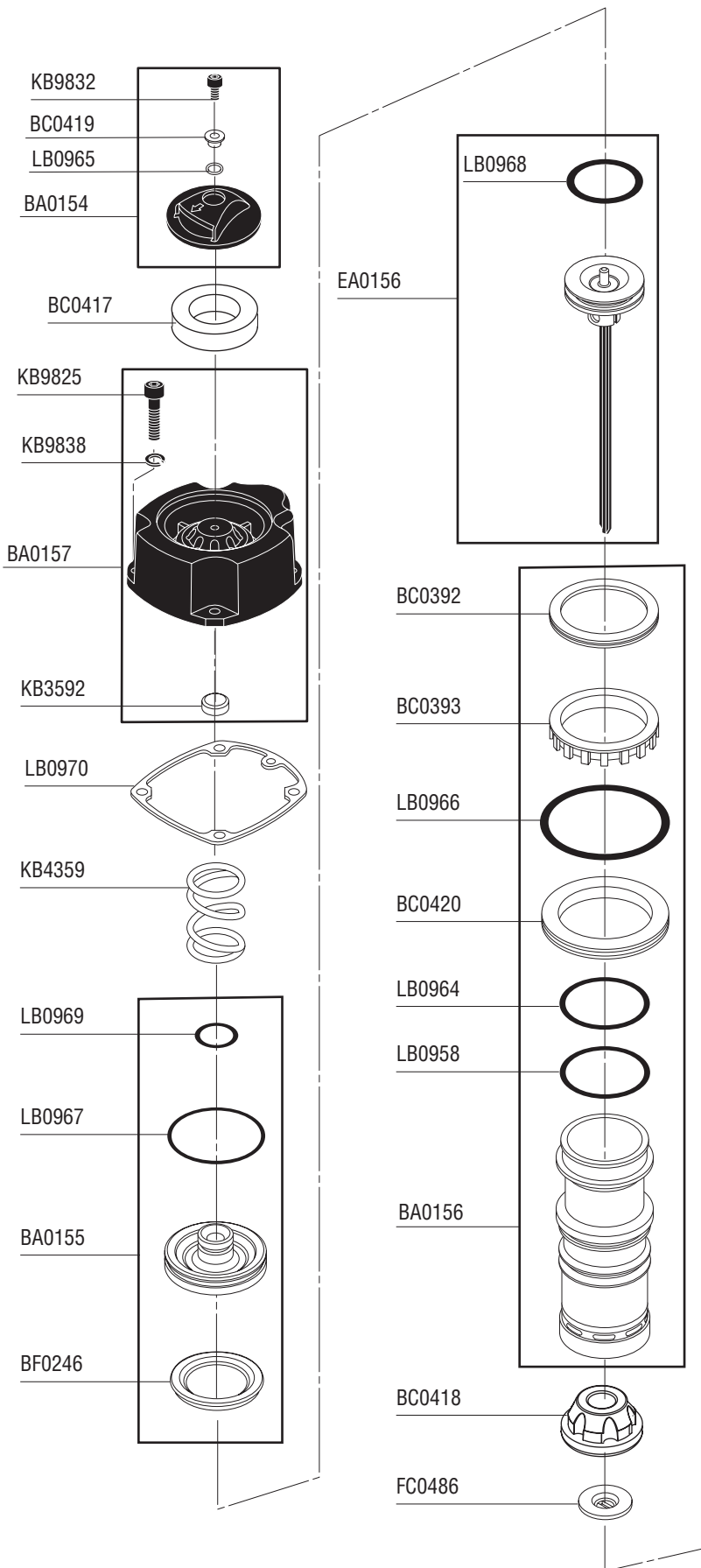


\* Schematic drawings inside

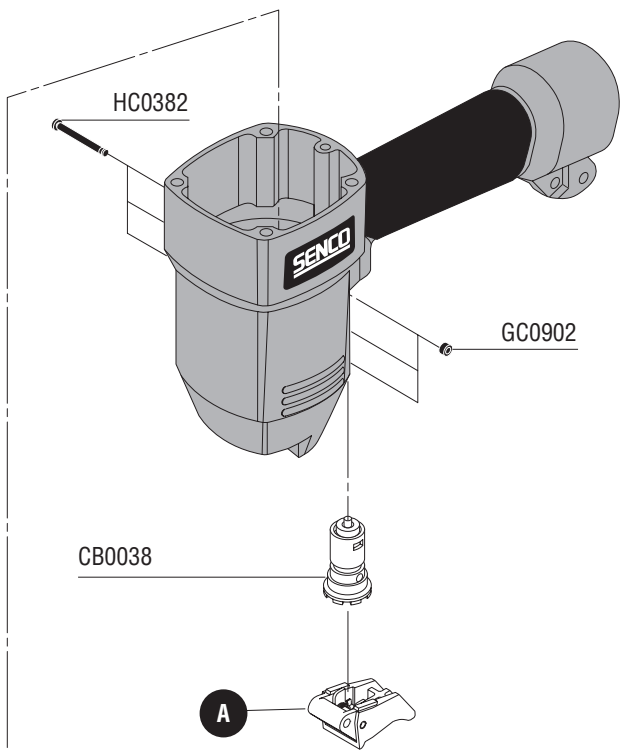
Senco Products Inc.  
8485 Broadwell Road  
Cincinnati, Ohio 45244  
Visit Our Website: [www.senco.com](http://www.senco.com)

Questions? Comments? call SENCO's toll-free Action-line:  
1-800-543-4596 (North and South America Only)  
or e-mail: [toolprof@senco.com](mailto:toolprof@senco.com)

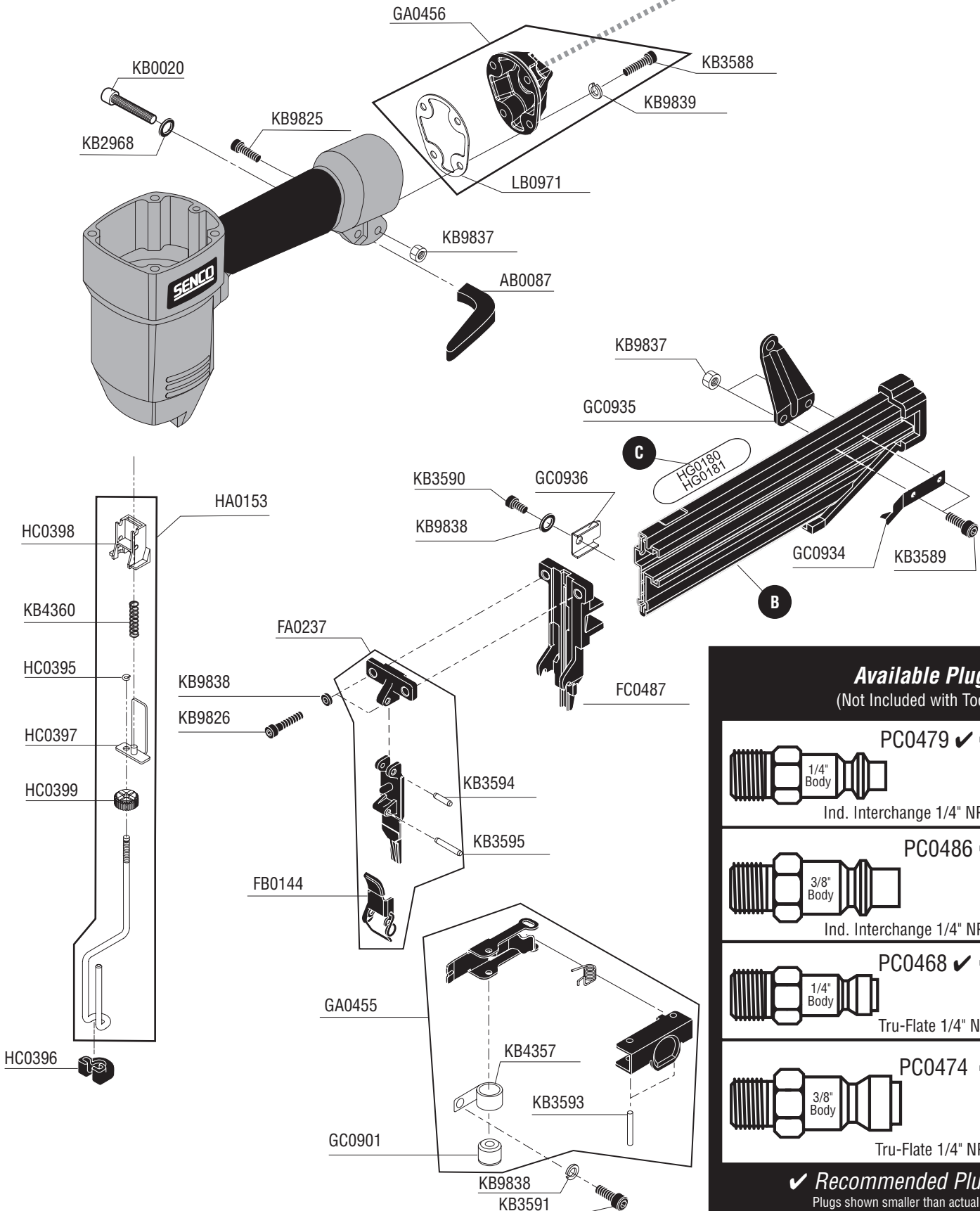
NFG01X Revised September 13, 2006 © 2002, 2006 by SENCO Products, Inc. Cincinnati, Ohio 45244 - U.S.A.



Tool #	Model
1X0001N	Restrictive
1X2001N	Single Sequential
1X2002N	Contact Actuation
1X3001N	Restrictive
1X3002N	Dual Action



Tool #	Model	A	B	C
1X0001N	Restrictive	HB0304	GA0453	HG0180
1X2001N	Single Sequential	HB0304	GA0454	HG0181
1X2002N	Contact Actuation	HB0303	GA0454	HG0181
1X3001N	Restrictive	HB0304	GA0453	HG0180
1X3002N	Dual Action	HB0303	GA0453	HG0180



### Available Plugs (Not Included with Tool)

- PC0479 ✓

1/4" Body

Ind. Interchange 1/4" NPT
- PC0486

3/8" Body

Ind. Interchange 1/4" NPT
- PC0468 ✓

1/4" Body

Tru-Flate 1/4" NPT
- PC0474

3/8" Body

Tru-Flate 1/4" NPT

✓ **Recommended Plugs**  
Plugs shown smaller than actual size

# FinishPro® 32 16 ga. Finish Nailer

REPLACEMENT PARTS LIST • LISTA DE PARTES DE REPUESTO • ERSATZTEILE-LISTE • LISTE DE PIÈCES DE RECHANGE

PART NO.	DESCRIPTION	DESCRIPCIÓN	BESCHREIBUNG	DÉSIGNATION
AB0087	BELT HOOK	GANCHO DE CINTURÓN	GURTHAKEN	CROCHET DE CEINTURE
BA0154	DEFLECTOR ASSEMBLY	ASAMBLE DE DESVIADOR	ABWEISER-ZUSAMMENBAU	ENSEMBLE DÉFLECTEUR
BA0155	FIRING VALVE ASSEMBLY	ASAMBLE DE VÁLVULA	VENTIL-ZUSAMMENBAU	ENSEMBLE VALVE
BA0156	CYLINDER SLEEVE ASSEMBLY	ASAMBLE DE CILINDRO	ZYLINDER-ZUSAMMENBAU	ENSEMBLE CYLINDRE
BA0157	CAP ASSEMBLY	ASAMBLE DE TAPA	KAPPE-ZUSAMMENBAU	ENSEMBLE BOUCHON
BC0392	RETAINER	JUNTA TÓRICA	SICHERUNGSRING	RETENUE
BC0393	SEAL	SELLO	DICHTUNG	JOINT
BC0417	MUFFLER	SILENCIADOR	DÄMPFER	SILENCIEUX
BC0418	PISTON STOP	AMORTIGUADOR	PUFFER	AMORTISSEUR
BC0419	SPACER	ARANDELA	SCHEIBE	RONDELLE
BC0420	SPACER	SELLO	DICHTUNG	JOINT
BF0246	FIRING VALVE WASHER	SELLO	DICHTUNG	JOINT
CB0038	TRIGGER VALVE ASSEMBLY	ASAMBLE DE VÁLVULA	VENTIL-ZUSAMMENBAU	VALVE D'ASSEMBLÉE
EA0156	PISTON ASSEMBLY	ASAMBLE DE PISTON	KOLBEN-ZUSAMMENBAU	ENSEMBLE PISTON-COUTEAU
FA0237	FRONT PLATE ASSEMBLY	ASAMBLE DE PLACA DE NARIZ	NAGELFÜHRUNG-ZUSAMMENBAU	ENSEMBLE FRONT
FC0486	DRIVER SEAL	SELLO	DICHTUNG	JOINT
FC0487	GUIDE BODY	GUÍA	FÜHRUNG	GUIDE
FC0488	LATCH ASSEMBLY	ASAMBLE DE UÑETA	FÜHRUNG-ZUSAMMENBAU	ENSEMBLE GUIDE
GA0453	MAGAZINE (US)	CARGADOR	MAGAZIN	MAGASIN
GA0454	MAGAZINE (EURO)	CARGADOR	MAGAZIN	MAGASIN
GA0455	FEEDER SHOE ASSEMBLY	ASAMBLE DE ALIMENTADOR	NAGELSCHIEBER-ZUSAMMENBAU	ENSEMBLE POUSSOIR
GA0456	END CAP ASSEMBLY	ASAMBLE DE TAPA TERMINAL	ABSCHLUßKAPPE-ZUSAMMENBAU	BOUCHON D'EXTRÉMITÉ DE RAIL
GC0901	WHEEL GUIDE	GUÍA	FÜHRUNG	GUIDE
GC0902	RETAINER	JUNTA TÓRICA	SICHERUNGSRING	RETENUE
GC0934	PLATE	PLACA	PLATTE	PLAQUE
GC0935	MAGAZINE SUPPORT	SOPORTE	HALTERUNG	CAVALIER
GC0936	COVER	CUBIERTA	ABDECKUNG	COUVERCLE
HA0153	SAFETY ELEMENT ASSEMBLY	ASAMBLE DE SEGURO	SICHERHEITSVORRICHTUNG-ZUSAMMENBAU	ENSEMBLE PALPEUR DE SÉCURITÉ
HB0303	TRIGGER ASSY, DUAL ACTION	ASAMBLE DE GATILLO	AUSLÖSER-ZUSAMMENBAU	ENSEMBLE GÂCHETTE
HB0304	TRIGGER ASSY, RESTRICTIVE	ASAMBLE DE GATILLO	AUSLÖSER-ZUSAMMENBAU	ENSEMBLE GÂCHETTE
HC0382	PIN	PASADOR	STIFT	GOUPILLE
HC0395	SPRING RETAINER	JUNTA TÓRICA	SICHERUNGSRING	RETENUE
HC0396	NO-MAR PAD	AMORTIGUADOR	SCHUTZ	COUSSIN
HC0397	RELEASE CATCH B	GUÍA	FÜHRUNG	GUIDE
HC0398	CATCH GUIDE PLATE	GUÍA	FÜHRUNG	GUIDE
HC0399	ADJUSTMENT WHEEL	MANIVELA	RÄNDELSCHRAUBE	MOLETTE
HG0180	SAFETY LABEL (US)	ETIQUETA	AUFKLEBER	ÉTIQUETTE
HG0181	SAFETY LABEL (CE)	ETIQUETA	AUFKLEBER	ÉTIQUETTE
KB0020	SCREW	TORNILLO	SCHRAUBE	VIS
KB2968	WASHER	ARANDELA	SCHEIBE	RONDELLE
KB3588	SCREW	TORNILLO	SCHRAUBE	VIS
KB3589	SCREW	TORNILLO	SCHRAUBE	VIS
KB3590	SCREW	TORNILLO	SCHRAUBE	VIS
KB3591	SCREW	TORNILLO	SCHRAUBE	VIS
KB3592	WASHER	ARANDELA	SCHEIBE	RONDELLE
KB3593	PIN	PASADOR	STIFT	GOUPILLE
KB3594	PIN	PASADOR	STIFT	GOUPILLE
KB3595	PIN	PASADOR	STIFT	GOUPILLE
KB4357	FEEDER SPRING	RESORTE	FEDER	RESSORT
KB4359	SPRING	RESORTE	FEDER	RESSORT
KB4360	SPRING	RESORTE	FEDER	RESSORT
KB9825	SCREW	TORNILLO	SCHRAUBE	VIS
KB9826	SCREW	TORNILLO	SCHRAUBE	VIS
KB9832	SCREW	TORNILLO	SCHRAUBE	VIS
KB9837	NUT	TUERCA	MUTTER	ÉCROU
KB9838	WASHER	ARANDELA	SCHEIBE	RONDELLE
KB9839	WASHER	ARANDELA	SCHEIBE	RONDELLE
LB0958	SEAL	SELLO	DICHTUNG	JOINT
LB0964	SEAL	SELLO	DICHTUNG	JOINT
LB0965	SEAL	SELLO	DICHTUNG	JOINT
LB0966	SEAL	SELLO	DICHTUNG	JOINT
LB0967	SEAL	SELLO	DICHTUNG	JOINT
LB0968	SEAL	SELLO	DICHTUNG	JOINT
LB0969	SEAL	SELLO	DICHTUNG	JOINT
LB0970	GASKET	SELLO	DICHTUNG	JOINT
LB0971	GASKET	SELLO	DICHTUNG	JOINT

Questions? Comments? call SENCO's toll-free Action-line: 1-800-543-4596 (North & South America only) or e-mail: [toolprof@senco.com](mailto:toolprof@senco.com)