

TN51P1P

15 Gauge Finish Nailer



Parts Reference Guide

**Guía de referencia
de piezas**

**Pièces Guide
de référence**

Schematic Drawings Inside
Plano esquemático en el interior
Schéma intérieur

Repair Kit
YK0905



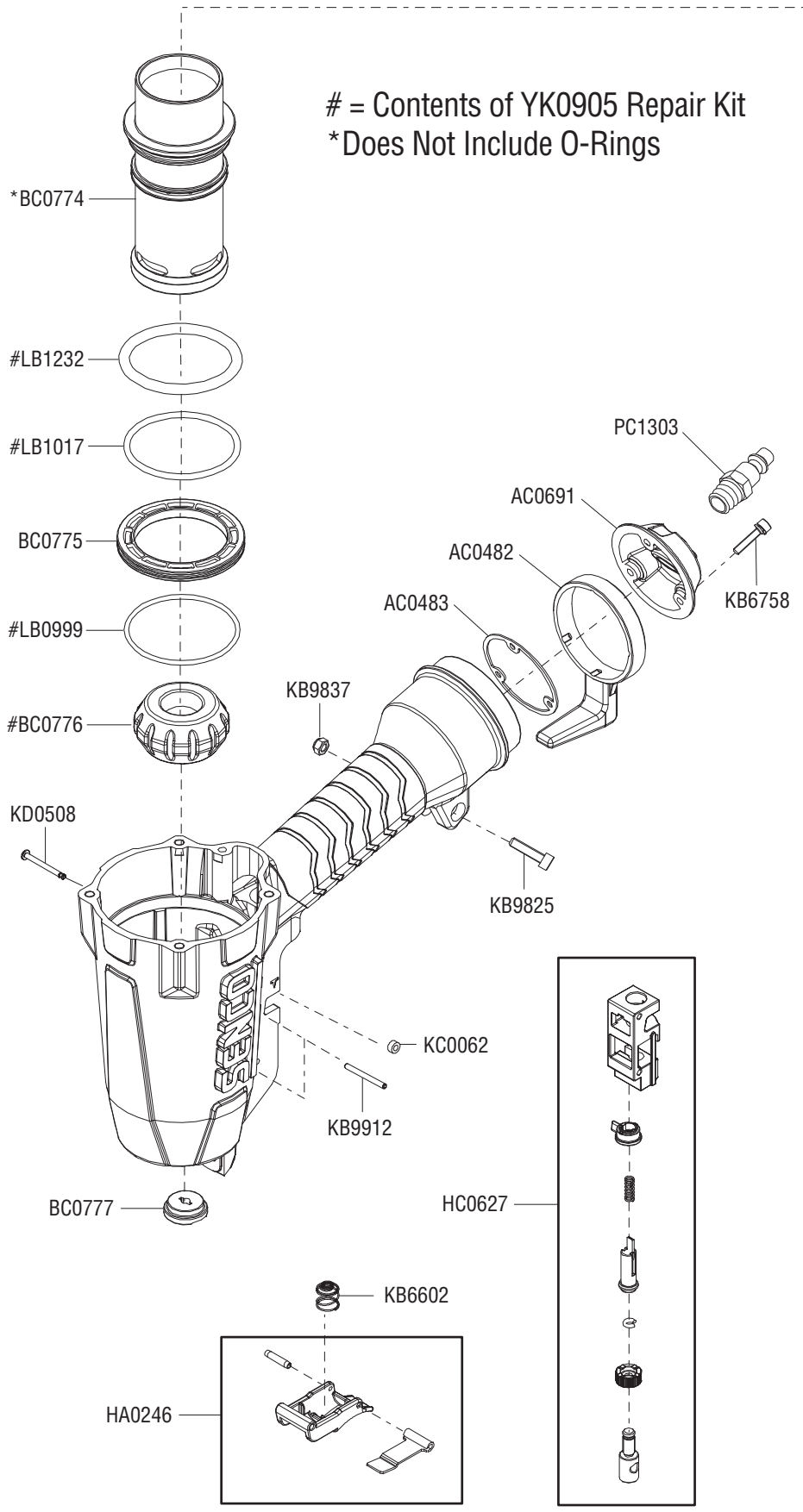
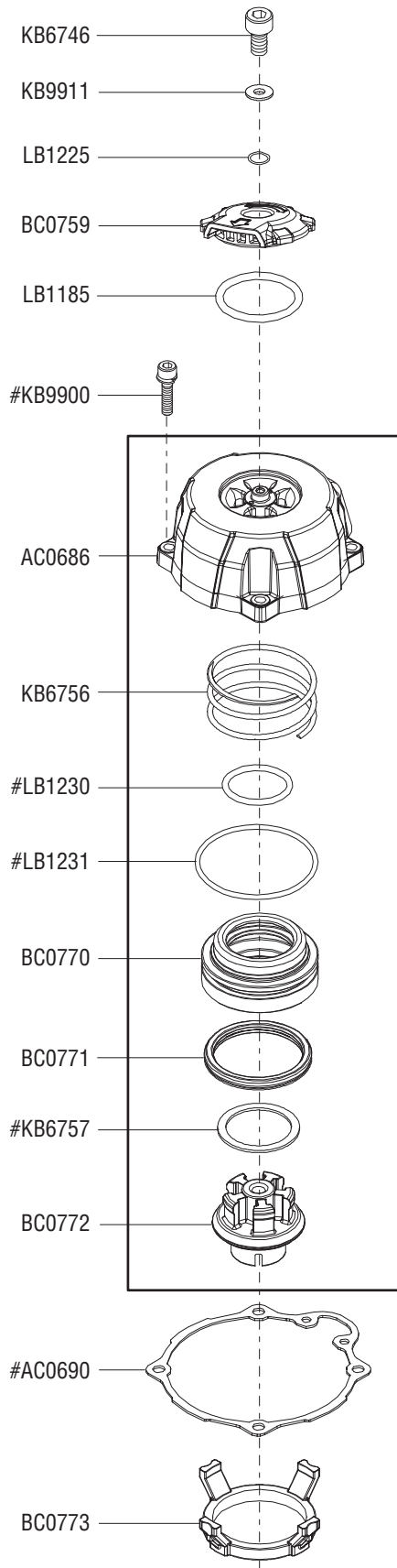
NFD0TN5 • Issued September 21, 2023

KYOCERA-SENCO Industrial Tools, Inc.
8450 Broadwell Road
Cincinnati, OH 45244
1-800-543-4596
www.senco.com

Questions? Comments? call Senco's toll-free Action-Line: 1-800-543-4596
(North and South America Only) or email: toolprof@senco.com

¿Tiene preguntas? ¿Comentarios? Llame a la línea gratuita de acción de Senco: 1-800-543-4596
(sólo para América del Norte y del Sur) o envíe un correo electrónico: toolprof@senco.com

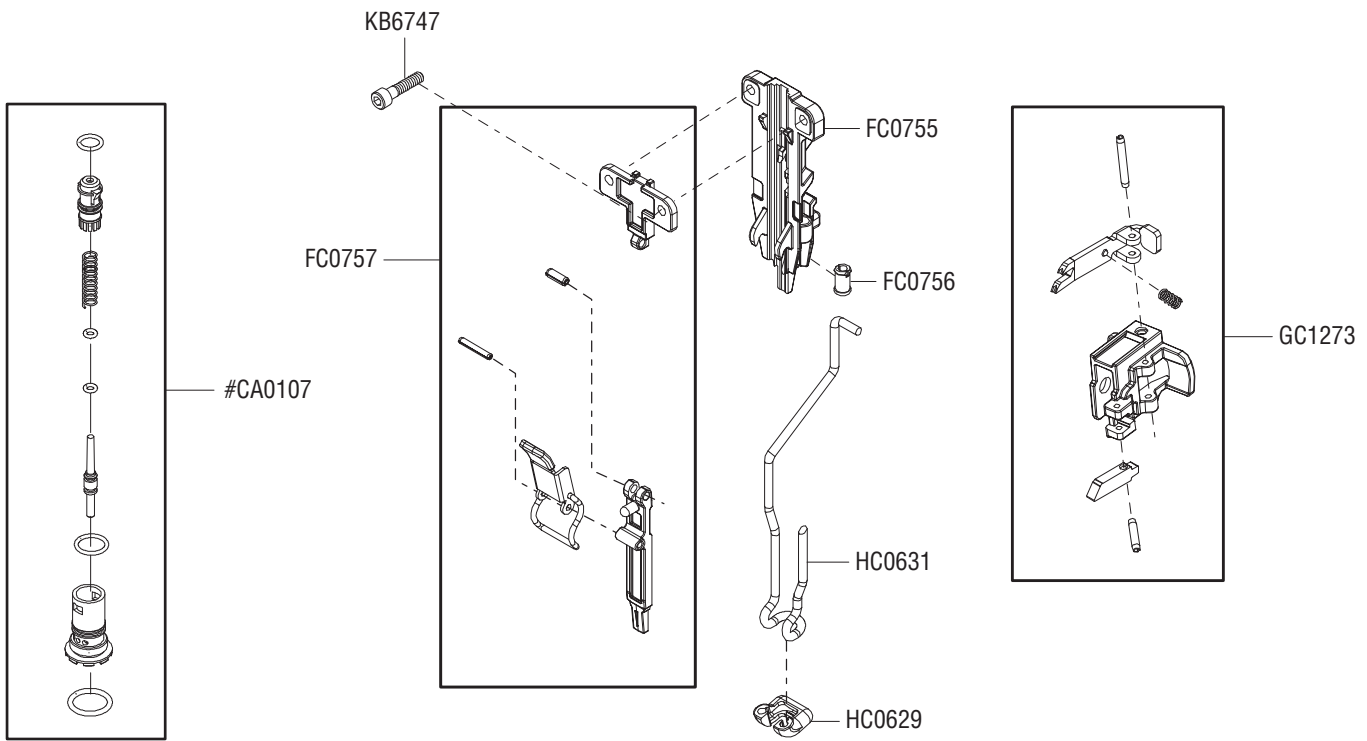
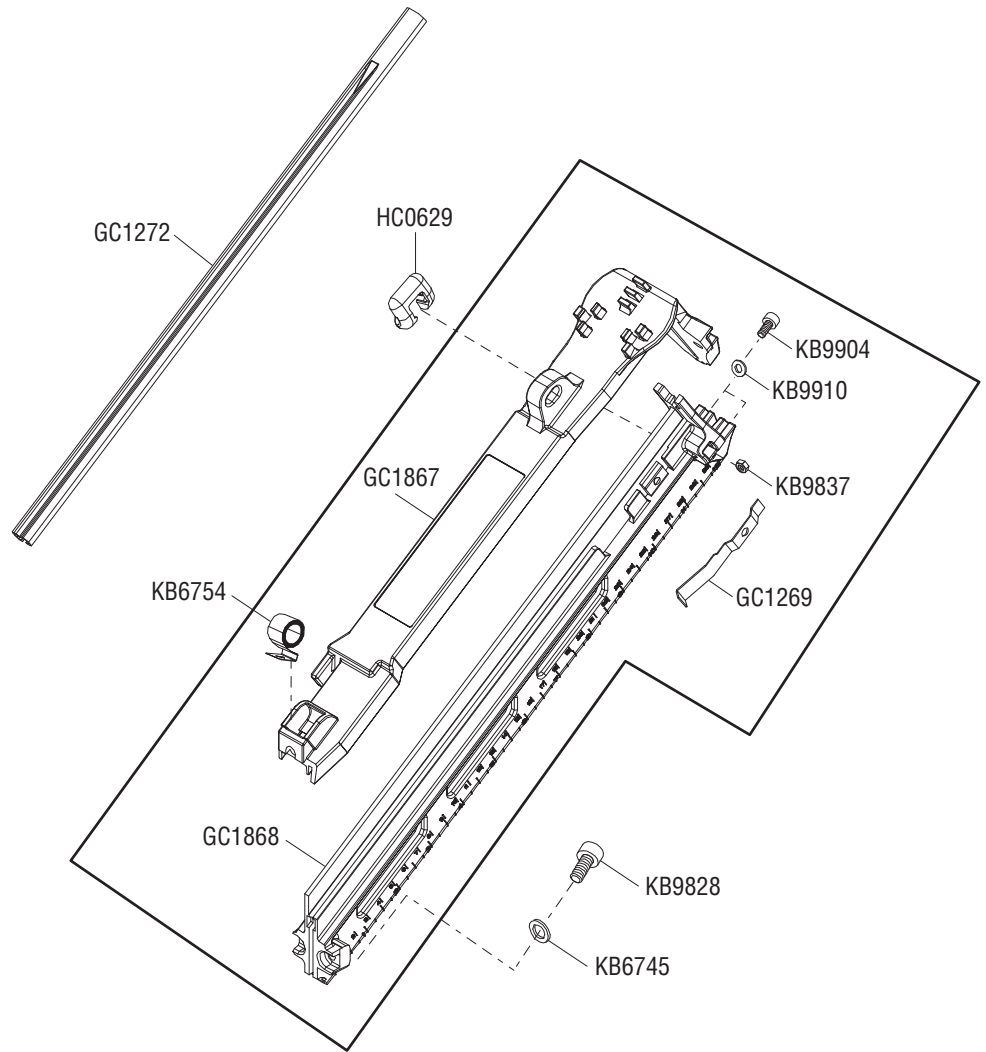
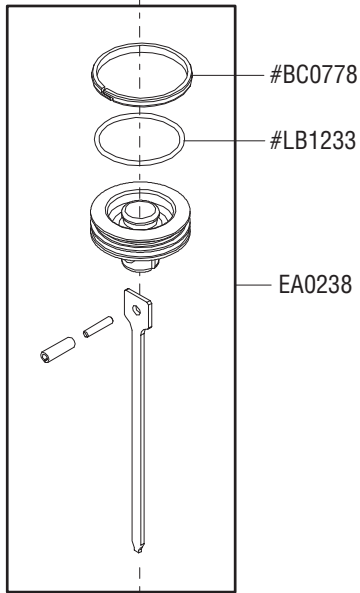
Des questions? Des commentaires? Communiquez avec le service d'assistance sans frais de Senco: 1-800-543-4596
(Amérique du Nord et Amérique du Sud seulement) ou envoyez un courriel: toolprof@senco.com



= Contents of YK0905 Repair Kit
*Does Not Include O-Rings

15 Gauge Finish Nailer

TN51P1P





15 Gauge Finish Nailer

TN51P1P

REPLACEMENT PARTS LIST • LISTA DE PARTES DE REPUESTO • LISTE DE PIÈCES DE RECHANGE

| PART NO. | DESCRIPTION | DESCRIPCIÓN | DÉSIGNATION |
|----------|-----------------------|---------------------------------|-------------------------------------|
| AC0482 | BELT HOOK | GANCHO PARA CINTURÓN | CROCHET DE CEINTURE |
| AC0483 | SEAL | SELLO | SCCELLER |
| AC0686 | TOP CAP | TAPA SUPERIOR | CAPUCHON SUPÉRIEUR |
| AC0690 | SEAL | SELLO | SCCELLER |
| AC0691 | END CAP | TAPA DEL EXTREMO | EMBOUIT |
| BC0759 | DEFLECTOR | DESVIADOR | DÉFLECTEUR |
| BC0770 | VALVE | VÁLVULA | SOUPAPE |
| BC0771 | SEAL | SELLO | SCCELLER |
| BC0772 | RETAINER | ANTICIPO | RETENUE |
| BC0773 | COLLAR | CILINDRO | CYLINDRE |
| BC0774 | CYLINDER | CILINDRO | CYLINDRE |
| BC0775 | SPACER | SEPARADOR | ENTRETOISE |
| BC0776 | STOP | TOPE | ARRÊT |
| BC0777 | GUIDE | GUÍA | GUIDE |
| BC0778 | RING | ANILLO | BAGUE |
| CA0107 | REMOTE VALVE ASSEMBLY | ENSAMBLAJE DE LA VÁLVULA REMOTA | ASSEMBLAGE DE LA SOUPAPE À DISTANCE |
| EA0238 | PISTON DRIVER ASY | ASAMBLE DE PISON Y | PISTON/COUTEAU |
| FC0755 | BACKPLATE | PLACA TRASERA | PLAQUE ARRIÈRE |
| FC0756 | BUSHING | BUJE | DOUILLE |
| FC0757 | FRONT PLATE | PLACA | PLAQUE |
| GC1269 | DETAINDER | RETENEDOR | DISPOSITIF DE RETENUE |
| GC1272 | RAIL | RIEL | RAIL |
| GC1273 | FEEDERSHOE | ZAPATA DEL ALIMENTADOR | CHARGEUR |
| GC1867 | MAGAZINE, UPPER | CARGADOR SUPERIOR | MAGASIN, SUPÉRIEUR |
| GC1868 | MAGAZINE, LOWER | CARGADOR INFERIOR | MAGASIN, INFÉRIEUR |
| HA0246 | TRIGGER ASSEMBLY | ASAMBLE DE GATILLO | ENSEMBLE GÂCHETTE |
| HC0627 | SAFETY ELEMENT | ASAMBLE DE SEGURO | PALPEUR DE SÉCURITÉ |
| HC0629 | NO-MAR PAD | AMORTIGUADOR | COUSSIN |
| HC0631 | SAFETY | SEGURIDAD | SÉCURITÉ |
| KB6602 | SPRING | RESORTE | RESSORT |
| KB6745 | WASHER | ARANDELA | RONDELLE |
| KB6746 | SCREW | TORNILLO | VIS |
| KB6747 | SCREW | TORNILLO | VIS |
| KB6754 | SPRING | RESORTE | RESSORT |
| KB6756 | SPRING | RESORTE | RESSORT |
| KB6757 | WASHER | ARANDELA | RONDELLE |
| KB6758 | SCREW | TORNILLO | VIS |
| KB9825 | SCREW | TORNILLO | VIS |
| KB9828 | SCREW | TORNILLO | VIS |
| KB9837 | NUT | TUERCA | ÉCROU |
| KB9900 | SCREW | TORNILLO | VIS |
| KB9904 | SCREW | TORNILLO | VIS |
| KB9910 | WASHER | ARANDELA | RONDELLE |
| KB9911 | WASHER | ARANDELA | RONDELLE |
| KB9912 | PIN | PASADOR | GOUPILLE |
| KC0062 | RETAINER | ANTICIPO | RETENUE |
| KD0508 | PIN | PASADOR | GOUPILLE |
| LB0999 | O-RING | ANILLO O | CIRCLIP DE TYPE O |
| LB1017 | O-RING | ANILLO O | CIRCLIP DE TYPE O |
| LB1185 | SEAL | SELLO | JOINT |
| LB1225 | O-RING | ANILLO O | CIRCLIP DE TYPE O |
| LB1230 | O-RING | ANILLO O | CIRCLIP DE TYPE O |
| LB1231 | O-RING | ANILLO O | CIRCLIP DE TYPE O |
| LB1232 | O-RING | ANILLO O | CIRCLIP DE TYPE O |
| LB1233 | O-RING | ANILLO O | CIRCLIP DE TYPE O |
| PC1303 | SWIVEL FITTING | CONEXIÓN GIRATORIA | RACCORD TOURNANT |
| YK0905 | REPAIR KIT | KIT DE REPARACIÓN | ENSEMBLE DE RÉPARATION |